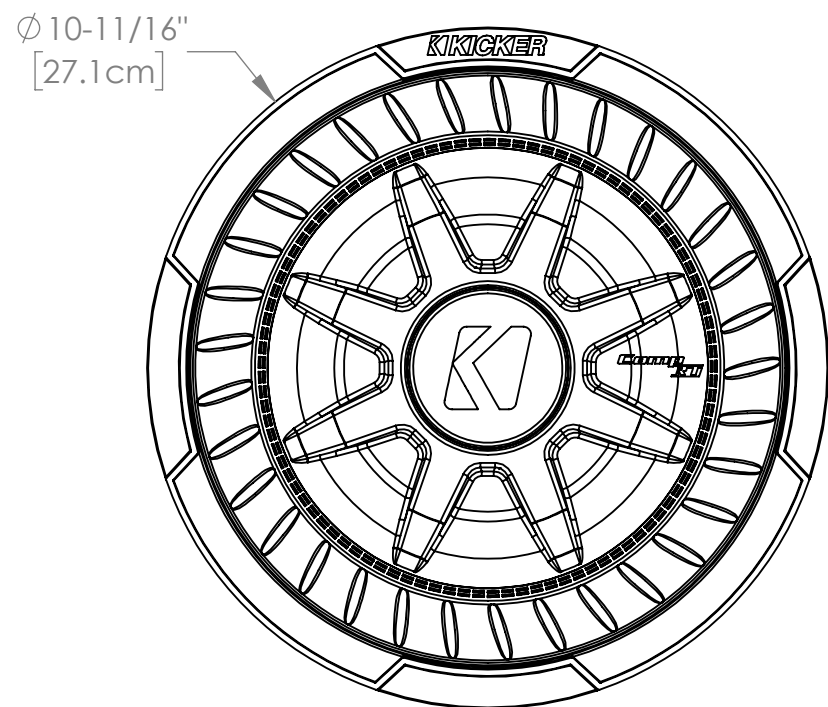
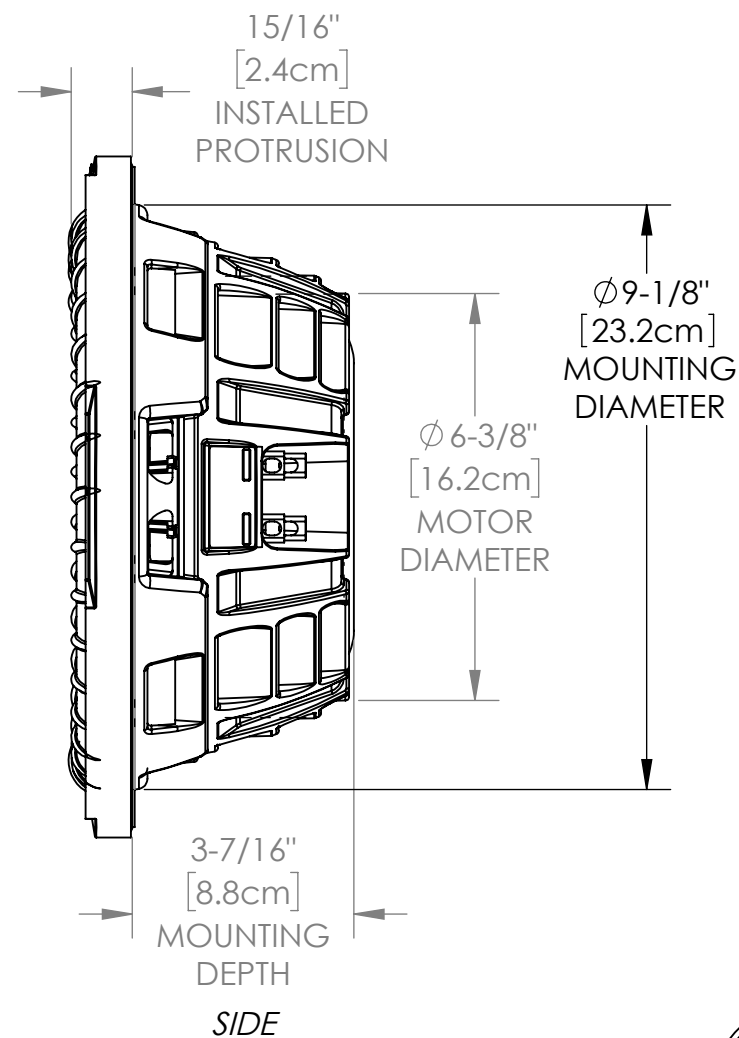


# CARTON ART VIEWS/PUBLISHED DIMENSIONS SHEET

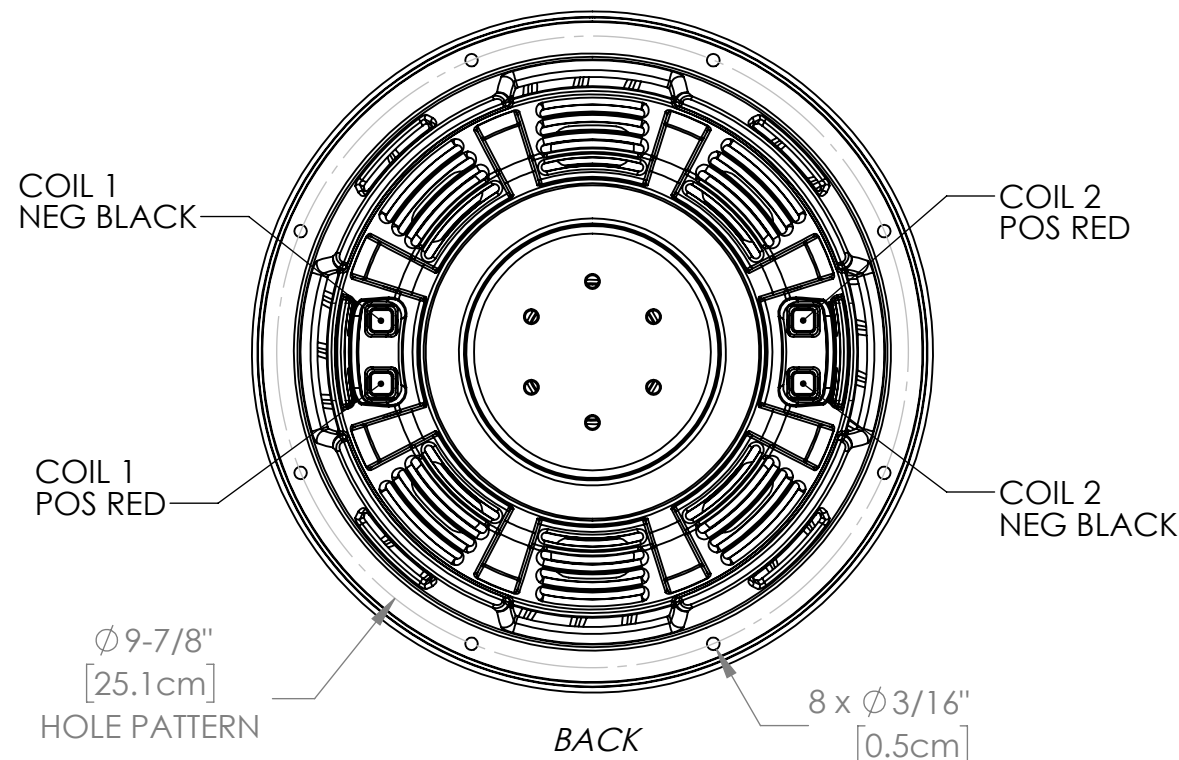
*MOUNTING DEPTH DIMENSION ROUNDED UP TO NEAREST 1/16th"*  
*measured inches convert to mm equivalent add 1.6mm=1/16th then software rounds to nearest 1/16th*



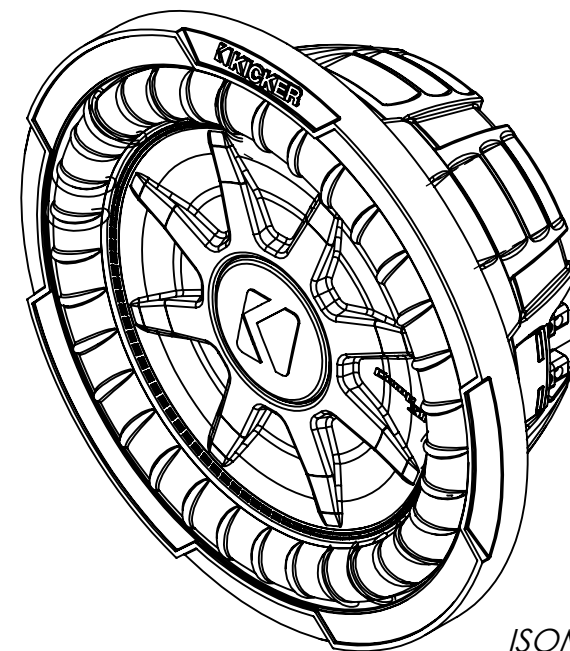
FRONT



SIDE



BACK



ISOMETRIC

Item Number	Impedance
48CWRT102	2OHM DVC
48CWRT104	4OHM DVC

## CUSTOMER SERVICE DIMENSIONS



DESCRIPTION:  
 10" CompRT Subwoofer

SIZE	DWG. NO.	REV	SHEET
B	48CWRT10-CSD	B	2/3