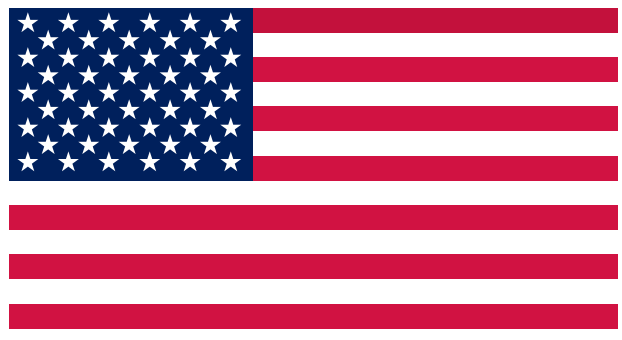


KICKER®

Owner's Manual
Manual del Propietario
Manuel d'utilisatio
Benutzerhandbuch

KPX Amplifiers

select language



*seleccione
el idioma*



*choisir la
langue*



*sprache
auswählen*

Contents

Overview	3
Specifications	4

KPX Mono

Installation	5
Mounting	5
Wiring	6
Operation	10
Troubleshooting	15

KPX 4-CH

Installation	16
Mounting	16
Power Wiring	17
Speaker Wiring	21
Operation	23
Troubleshooting	27
Warranty	28
Garantía Garantie	108

Overview

IMPORTANT SAFETY WARNING

PROLONGED CONTINUOUS OPERATION OF AN AMPLIFIER, SPEAKER, OR SUBWOOFER IN A DISTORTED, CLIPPED OR OVER-POWERED MANNER CAN CAUSE YOUR AUDIO SYSTEM TO OVERHEAT, POSSIBLY CATCHING FIRE AND RESULTING IN SERIOUS DAMAGE TO YOUR COMPONENTS AND/OR VEHICLE. AMPLIFIERS REQUIRE UP TO 4 INCHES (10CM) OPEN VENTILATION. SUBWOOFERS SHOULD BE MOUNTED WITH AT LEAST 1 INCH (2.5CM) CLEARANCE BETWEEN THE FRONT OF THE SPEAKER AND ANY SURFACE. KICKER PRODUCTS ARE CAPABLE OF PRODUCING SOUND LEVELS THAT CAN PERMANENTLY DAMAGE YOUR HEARING! TURNING UP A SYSTEM TO A LEVEL THAT HAS AUDIBLE DISTORTION IS MORE DAMAGING TO YOUR EARS THAN LISTENING TO AN UNDISTORTED SYSTEM AT THE SAME VOLUME LEVEL. THE THRESHOLD OF PAIN IS ALWAYS AN INDICATOR THAT THE SOUND LEVEL IS TOO LOUD AND MAY PERMANENTLY DAMAGE YOUR HEARING. PLEASE USE COMMON SENSE WHEN CONTROLLING VOLUME.

The KPX-series amplifiers have been engineered to handle the extreme conditions of powersports and outdoor audio applications, provide massive amounts of power, and continue to be cutting-edge efficient, making them perfect for less robust charging systems. Use with any combination of KICKER products, whether powersports speakers, full-range speakers, or KICKER's classic aftermarket speakers. And don't let the small, weather-resistant footprint fool you; this amp came to play.

Specifications

Model:	KPX500.1	KPX300.4
Dynamic Power	750W	350W
RMS Power Output		
@ 14.4V, 4Ω stereo, ≤ 1% THD+N		45W X 4
@ 14.4V, 2Ω stereo, ≤ 1% THD+N		75W X 4
@ 14.4V, 4Ω mono, ≤ 1% THD+N	150W X 1	150W X 2
@ 14.4V, 2Ω mono, ≤ 1% THD+N	300W x 1	
@ 14.4V, 1Ω mono, ≤ 1% THD+N	500W x 1	
Frequency Response [Hz]	10Hz – 160Hz	20Hz – 20kHz
Selectable Electronic Crossover	24dB/Octave, Variable Lo-Pass 40–160 Hz	12dB/Octave Hi-Pass 60/80/120 Hz
KickEQ™ Bass Boost	Selectable 0/+6db Bass Boost @ 40 Hz	N/A
Fader On/Off Switch	N/A	Yes
Subsonic Filter	24dB/Octave, Variable Hi-Pass 10–40Hz	N/A
Remote Bass Control	Yes, CXARC (Not Included)	N/A
Length [in, cm]	8 1/2, 21.7	8 1/2, 21.7
Height [in, cm]	1 11/16, 4.3	1 11/16, 4.3
Width [in, cm]	3 5/8, 9.2	3 5/16, 8.4
Signal-to-Noise Ratio [dB]	>90dB, a-weighted, re: rated power	
Signal-to-Noise Ratio [dB]	>75dB (ref: 1W output)	
Input Sensitivity	Low Level: 125mV–5V High Level: 1V–40V	

Note: All specifications and performance figures are subject to change. Please visit www.kicker.com for the most current information. To get the best performance from your new KICKER amplifier, we recommend using genuine KICKER speakers, accessories and wiring.

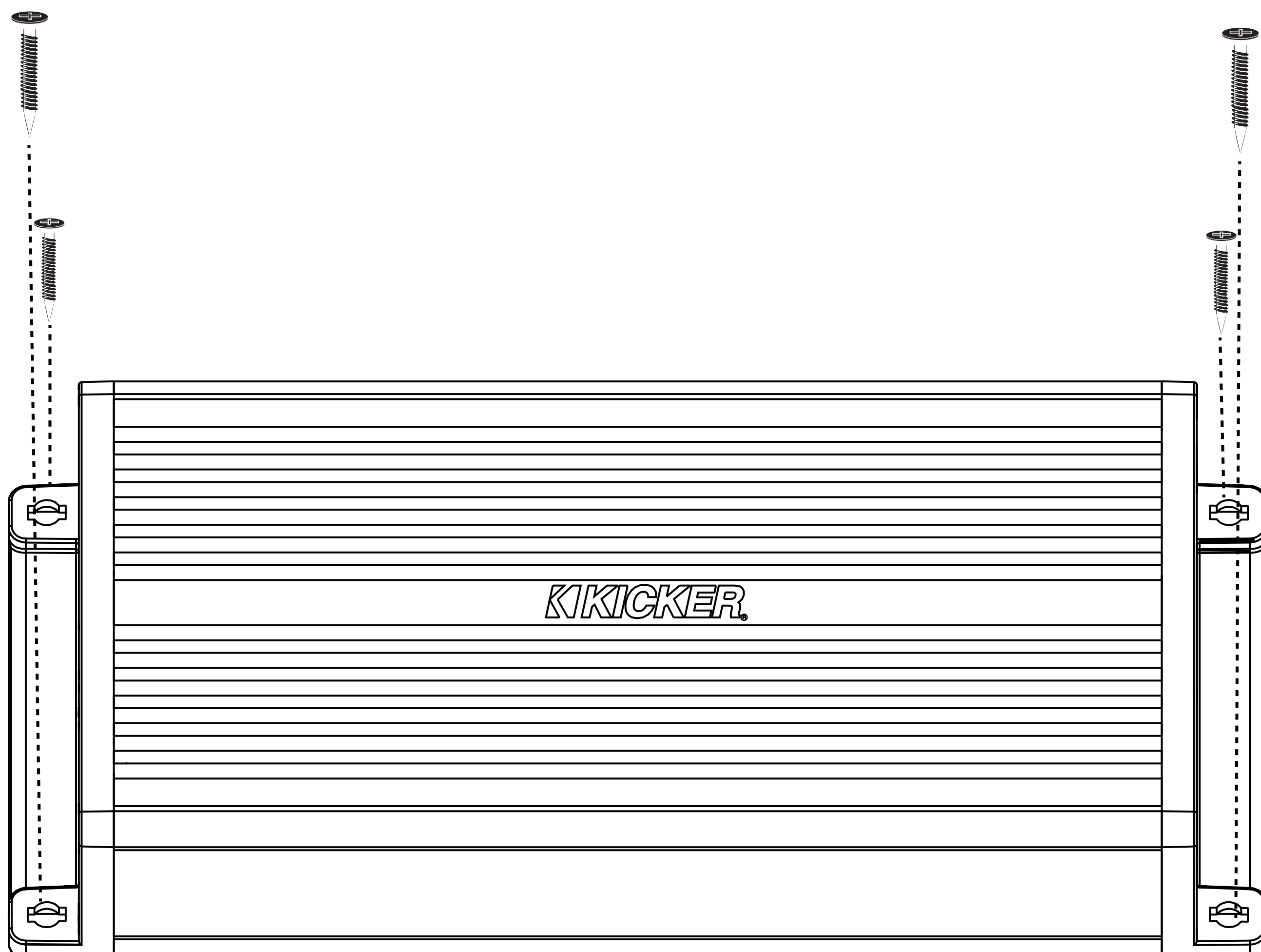
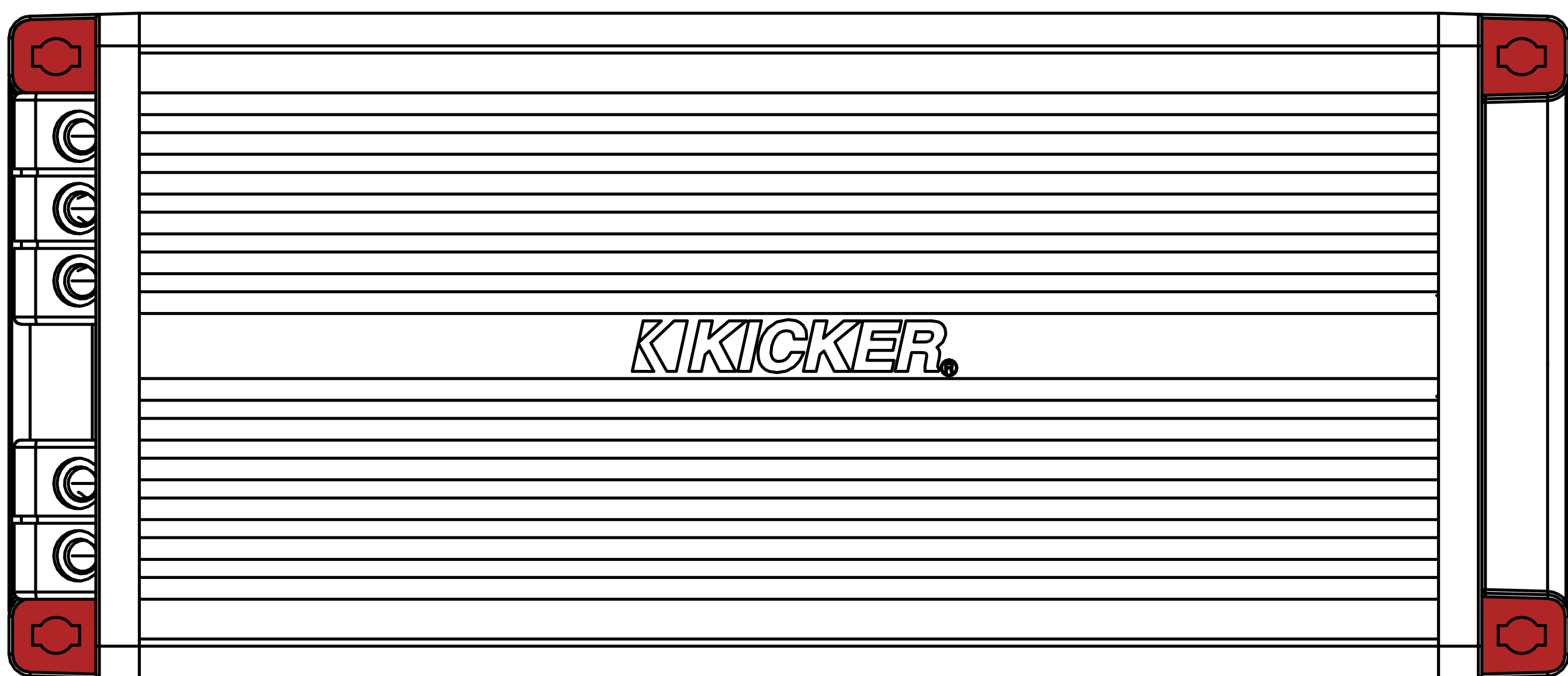
Pro Tip: All that's left are [PowerSports speakers](#), and a [few cables](#), and you'll have an audio upgrade that will dominate any factory system! KICKER amplifiers make it easy to upgrade to solid bass with your existing or stock source unit. Ask your dealer about KICKER upgrades.

KPX500.1

Installation

Mounting

Choose a structurally sound location to mount your KICKER amplifier. Make sure there are no items behind the area where the screws will be driven. Choose a location that allows at least 4" (10cm) of open ventilation for the amplifier. Drill four holes using a $7/64$ " (3mm) bit and use the supplied #8 screws to mount the amplifier.



Wiring

[Click Here for Amplifier Install Kits](#)

Model	External Fuse (sold separately)	Power/Ground Wire	KICKER Wiring Kit
KPX500.1	1 x 60 Ampere	8 Gauge	KMPK8, PK8, CK8

KICKER will provide a three-year warranty with all KPX-Series Amplifier purchases paired with a qualifying KICKER Installation Kit*.

This extends the standard warranty by an additional year. *Amplifier and Kit must be purchased from an **Authorized KICKER Dealer**.*

Using poor-quality, under-spec wiring kits will impede KPX amplifier performance.

A superior-quality KICKER installation Kit is guaranteed to extend the life of KPX amplifiers.

The new extended warranty applies only to KICKER amplifiers and accessories sold to consumers by Authorized KICKER Dealers in the United States of America or its possessions. It also only applies to the original purchaser of KICKER amplifiers and accessories. One warranty extension per amplifier is allowed regardless of the number of amplifier installation kits purchased. This program does not apply to "B"-stock product or factory-refurbished product.

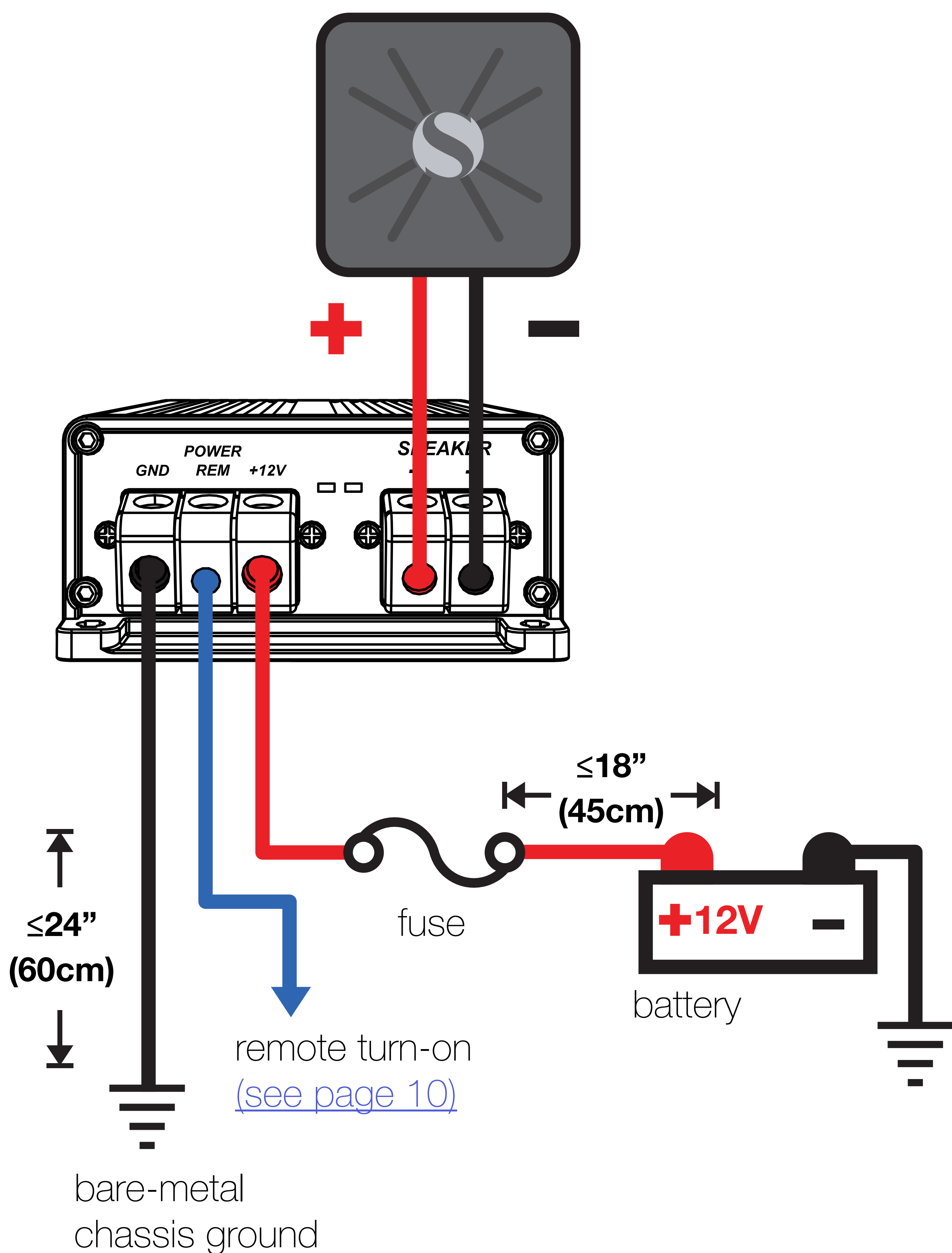
This offer is for a limited time, so see your local Authorized KICKER Dealer soon for details.

***U.S.A. Only | EE.UU. solamente | Nur USA | Les USA Seulement**

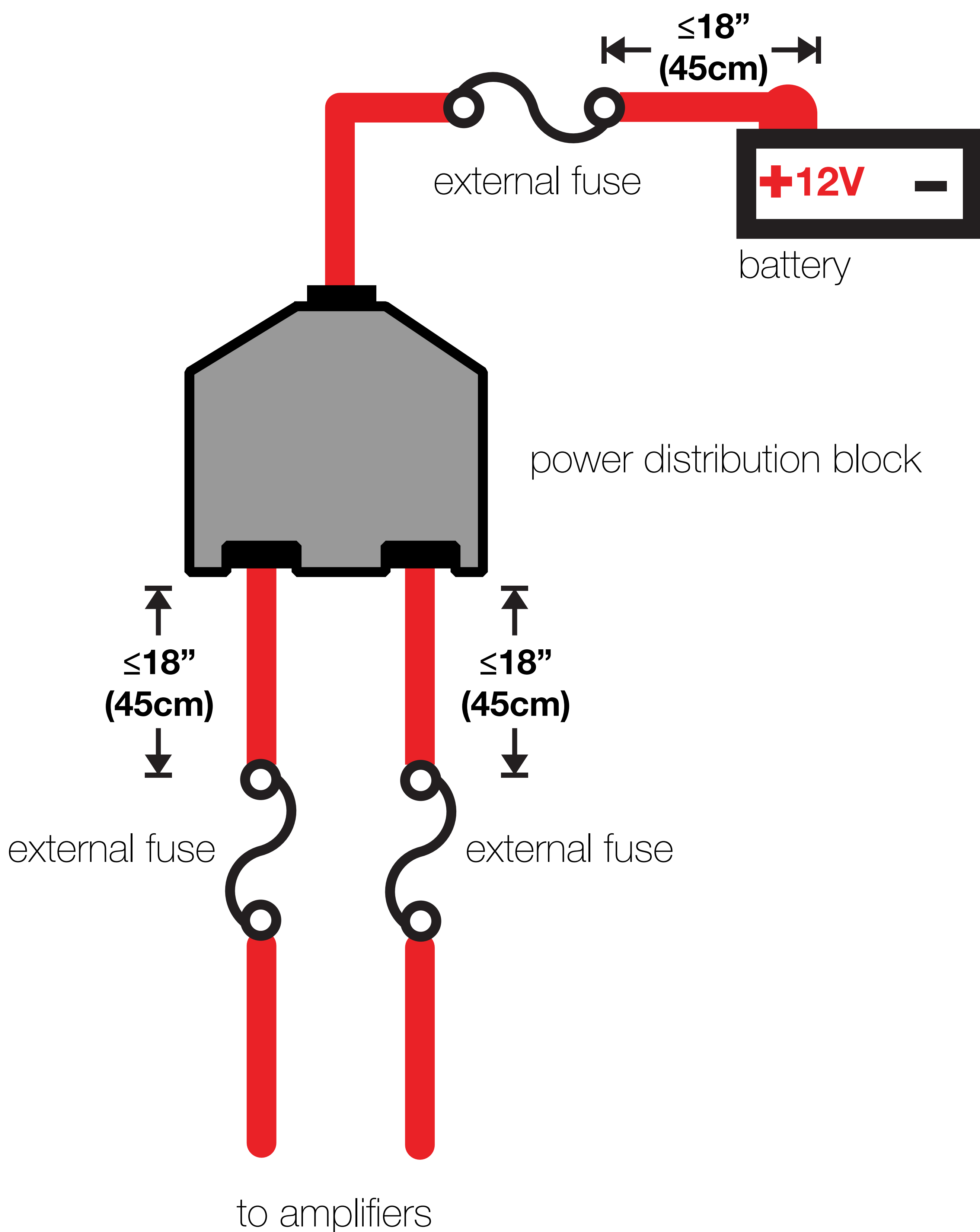
Disconnect the vehicle's battery to avoid an electrical short. A good ground connection is important. If the KPX is mounted in the front fairing of a motorcycle, it will be best to extend the ground wire all the way to the battery. Make the ground wire short, 24" (60cm) or less and, if not connected to the battery, connect it to a paint-and-corrosion-free, solid metal area of the vehicle's chassis. Adding an additional ground wire of this same gauge (or larger) between the battery's negative post and the vehicle chassis is recommended. Keep the audio signal cable away from factory wiring harnesses and other power wiring. If you need to cross this wiring, cross it at a 90 degree angle. Install a fuse at the blue +12V constant wire. Fuse installation should

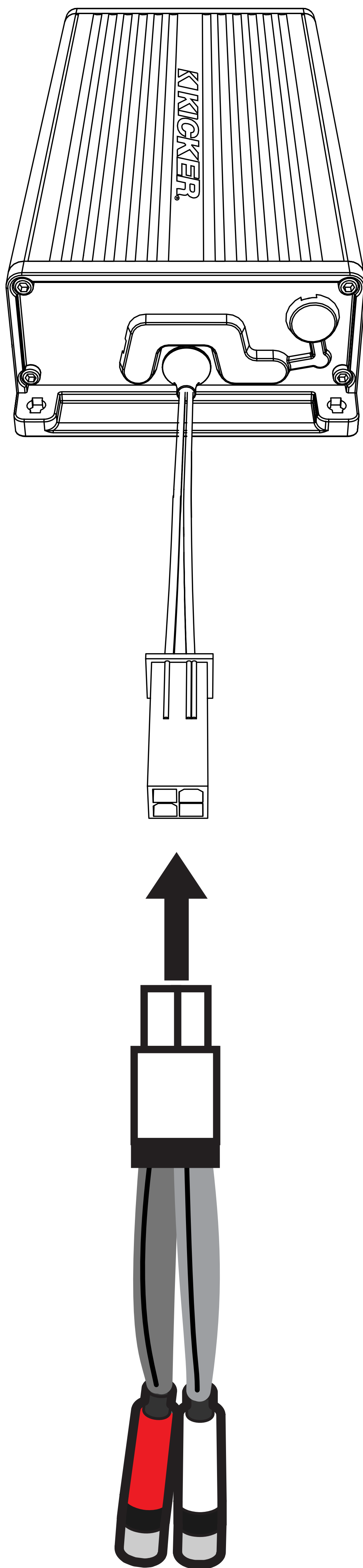


be as close as possible to the battery, and no further than 18" (45cm) of the battery, and in-line with the harness' power cable, which is connected to your KPX Amplifier. Make sure the power wire is routed so that it will not be damaged, crimped, or shorted. If you ever need to remove the amplifier from the vehicle after it has been installed, the ground wire should be the last wire disconnected from the amplifier; just the opposite as when you installed it. For multiple amplifier installations where



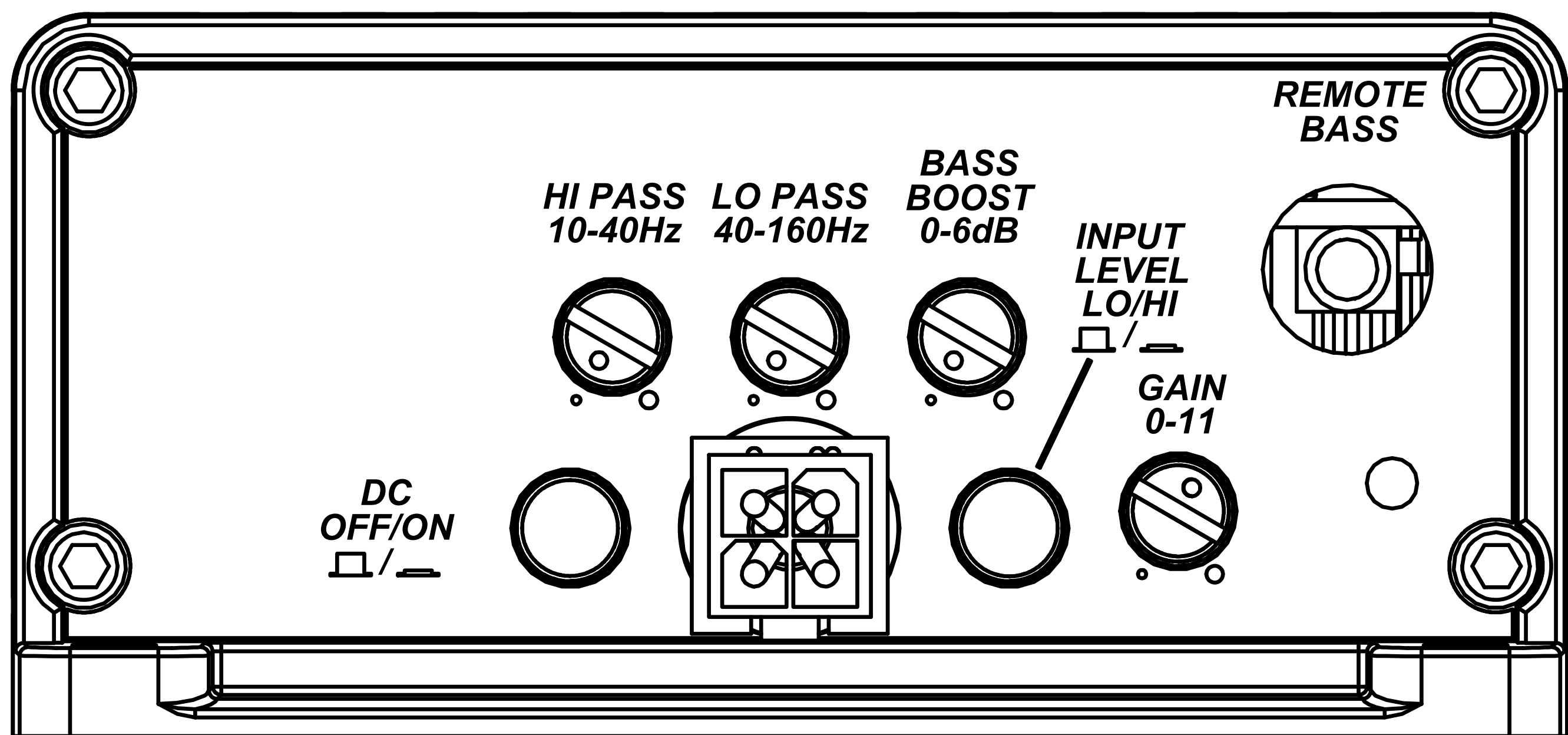
distribution blocks are used, each amplifier should have its proper-rated fuse, or breaker, installed between the amplifier and the distribution block within eighteen inches of the block, or on the distribution block if it provides for fusing. The primary power wire should also be fused between the battery and distribution block, within eighteen inches of the battery's positive terminal, with a fuse or breaker rated at least to the sum of the individual amplifier's fuse values, but doesn't exceed the capacity of your wiring.





If needed, cut off the RCA connections to use hi-level input, or use the [KICKER KISL Speaker-RCA Converter](#).

Operation



Automatic Turn-On: The KPX-series offers two different automatic turn-on modes; +12V and DC Offset.

- Remote Turn-On: Run 18 gauge wire from the Remote Turn-On Lead on your source unit to the blue REM wire on the KPX amplifier's wiring harness.
- DC Offset Turn-On: The DC Offset mode detects a >2.5V DC offset from the Hi-Level speaker outputs when the source unit has been turned on. To use DC offset mode, the DC OFF/ON push button must be in the ON or IN position. When using DC Offset mode, the REM terminal becomes a switched +12V output (100mA) to turn other amplifiers and devices on.

INPUT LEVEL: The RCA inputs are capable of receiving either Hi or Low-level signals from your source unit. If the only output available from your source unit is a Hi-Level signal, simply press in the Input Level switch on the amplifier. Refer to the wiring section of this manual for additional instructions.

INPUT GAIN: The input gain control is not a volume control. It matches the output of the source unit to the input level of the amplifier. Maximum power out of the amplifier is possible with the gain in the lowest position. Incorrectly setting the gain can result in distorted output or damage to, and premature failure of, your speakers. For a quick setup, turn the source unit up to about 3/4 volume (if the source unit goes to 30, turn it to 25). Slowly turn up (clockwise) the gain on the amplifier until you can hear audible distortion, then turn it down a little.

To use the preferred method of setting the input gain using a voltmeter or oscilloscope, begin by turning off the amplifier and disconnecting all speakers from it. Turn the gain knob completely off (counterclockwise) and all crossovers off, or to their least effective setting. If a remote bass accessory is connected to the amplifier, turn it completely on (clockwise). Ensure all EQ and DSP settings on the source unit such as bass, treble, fader, seating position etc are set to linear, flat, center, or off. Turn on the amplifier. Play a 0dB sine wave through your source unit and increase the volume to about 3/4 of maximum. Sine wave tracks can be downloaded for free from KICKER.com under the “Support” tab.

Use the 50Hz sine wave to set the gain for a subwoofer and the 1kHz sine wave for full-range speakers. Set your voltmeter or oscilloscope to measure AC voltage. Place the voltmeter's probes on the amplifier's speaker output terminals. With the sine wave playing, slowly turn the gain knob clockwise and watch the AC voltage on the voltmeter increase.

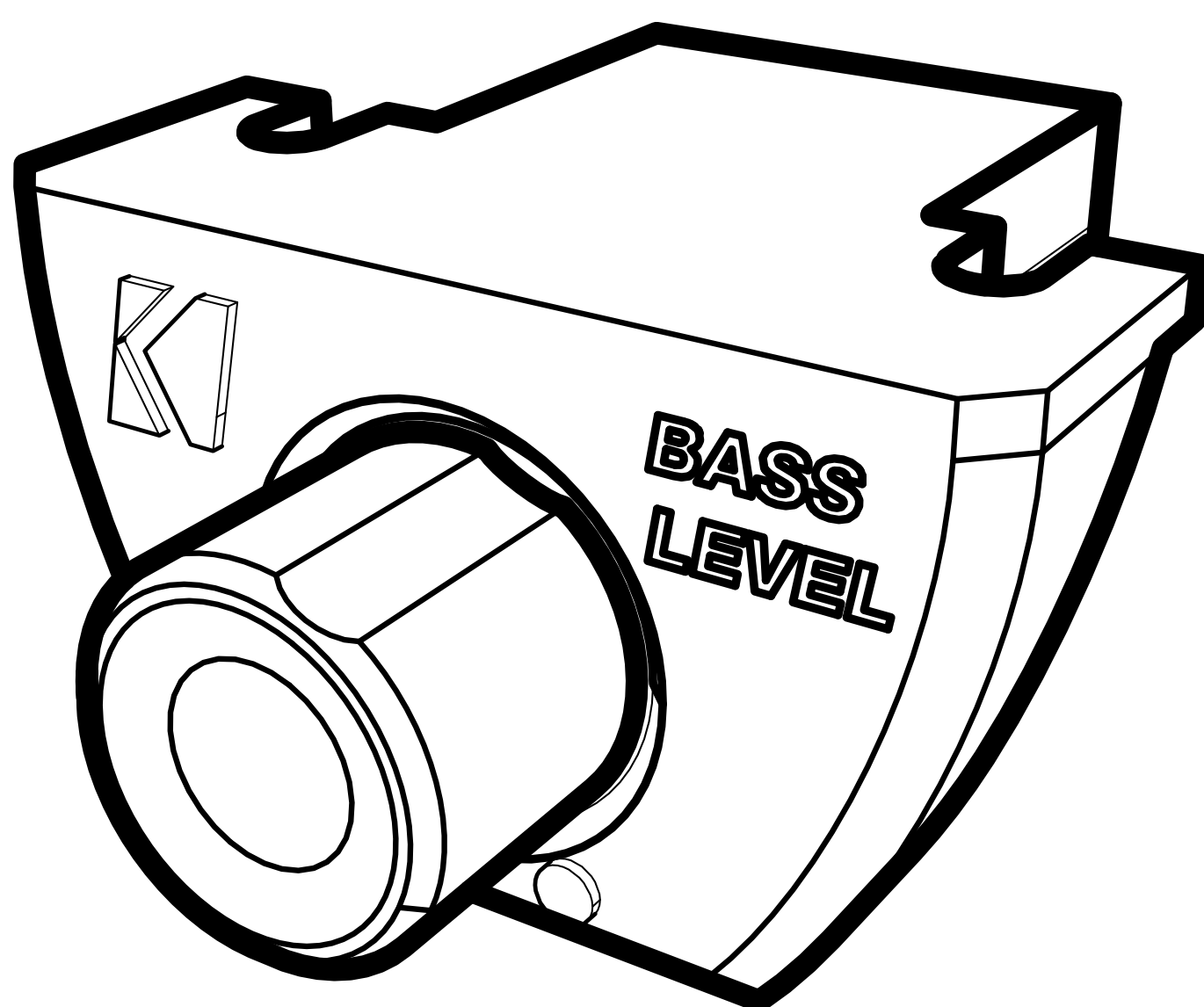
When the desired voltage is shown (reference [power chart at KICKER.com](https://www.kicker.com/power-chart)), or you start to see the waveform square off stop increasing the gain, turn the amplifier off, reconnect all speakers and set the crossovers to your desired setting. Your gain is now set for maximum unclipped power from the amplifier. If you increase amplitude using settings on the source unit or the bass boost on the amplifier it will introduce distortion and you will need to redo these steps.

HI-PASS (Subsonic filter): Use the HI-PASS knob of the amplifier to set the internal high-pass crossover from 10–40Hz. The amplifier will pass audio above the selected frequency threshold. This is used to protect the subwoofer driver from over-excursion due to ultra-low frequencies. Typically you want to set it one octave below the enclosure's tuning frequency (eg if the box is tuned for 40Hz, use a setting of 20Hz).

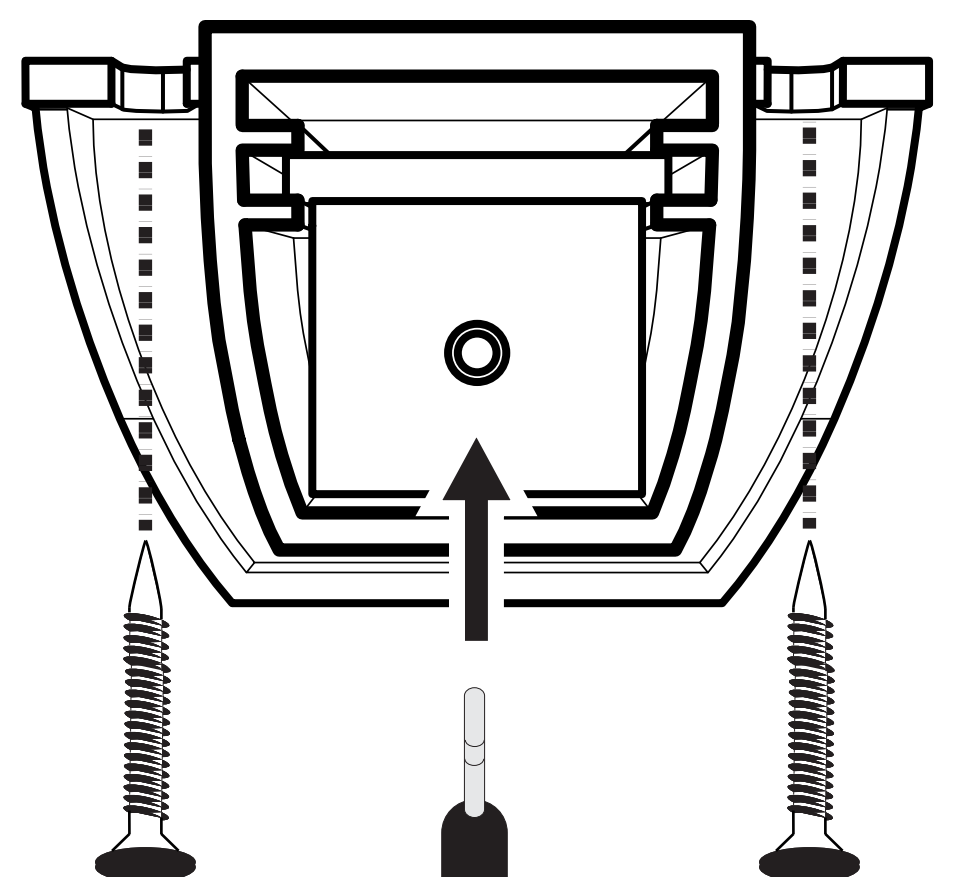
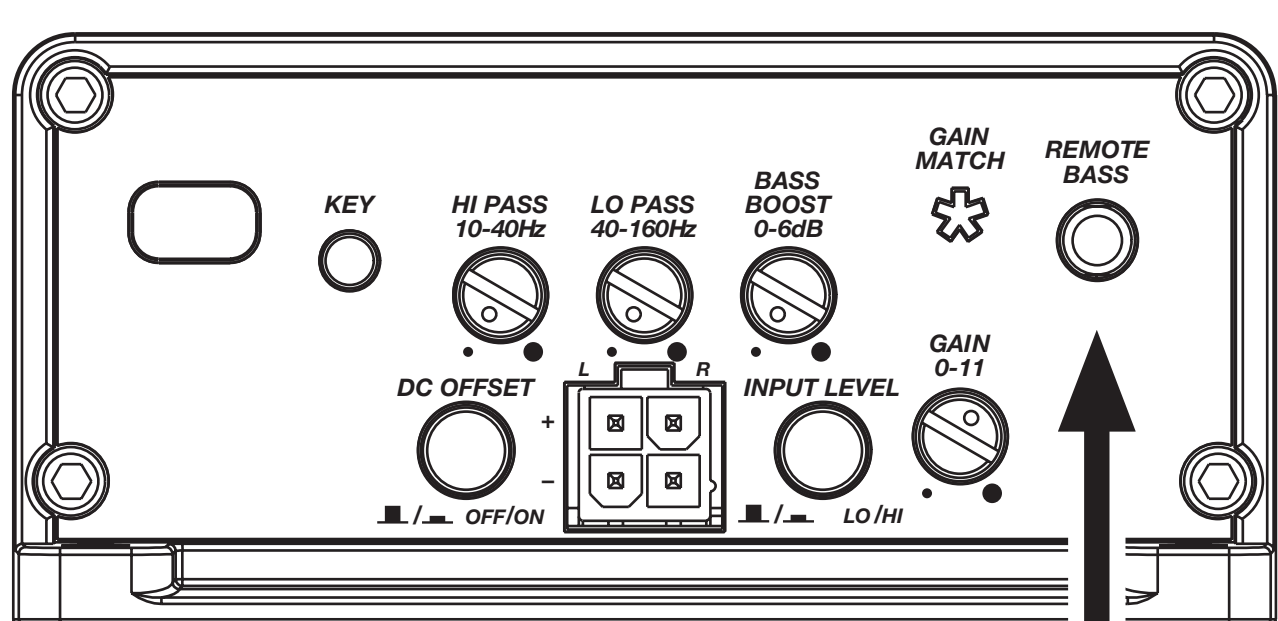
LO-PASS: Use the LO-PASS knob of the amplifier to set the internal low-pass crossover from 40–160Hz. The amplifier will pass audio below the selected frequency threshold. The subwoofer should only play deep sub-bass notes. If you hear vocals from the subwoofer, try lowering the crossover point until only the sub-bass is heard.

BASS BOOST: The variable bass boost control on the side of the amplifier is designed to give you increased output, 0–6dB, at 40Hz. The setting for this control is subjective. If you turn it up, you must readjust the input gain control to avoid clipping the amplifier.

REMOTE BASS: With the optional CXARC remote bass level control, you have the ability to control the output level of the amplifier remotely. To surface-mount the remote bass level control, simply screw the remote to the chosen location, then run the cable from the controller to the “Remote Bass” jack on the amplifier panel. Once the amplifier’s gain has been properly set, this bass level control allows you to decrease or increase the subwoofer level up to the point of maximum, unclipped (non-distorted) output.



Surface-mount the CXARC remote using the supplied screws.



back view

Troubleshooting

If your amplifier does not appear to be working, check the obvious things first such as blown fuses, poor or incorrect wiring connections, incorrect setting of crossover switch and gain controls, etc. There are Power (PWR) & Protection (PRT) LEDs on the side panel of your KICKER KPX series amplifier. Depending on the state of the amplifier and the vehicle's charging system, the LEDs will glow either green or red. When the green LED is lit, this indicates the amplifier is turned on and no trouble exists.

Green LED off, no output? With a Volt Ohm Meter (VOM) check the following: ❶ +12 volt power terminal (should read +12V to +16V) ❷ Remote turn-on terminal (should read +12V to +16V) ❸ Check for reversed power and ground connections ❹ Ground terminal, for proper conductivity.

Green LED on, no output? Check the following: ❶ RCA connections ❷ Test speaker outputs with a "known" good speaker. ❸ Substitute source unit with a "known" good source unit. ❹ Check for a signal in the RCA cable feeding the amplifier with the VOM meter set to measure "AC" voltage. Use a 50Hz test tone.

Red (PRT) LED flickering with loud music? The red (PRT) LED indicates low battery voltage. Check all the connections in your vehicle's charging system. It may be necessary to replace or charge your vehicle's battery or replace your vehicle's alternator.

Red (PRT) LED on, no output? ❶ Amplifier is very hot = thermal protection is engaged. Test for proper impedance at the speaker terminals with a VOM meter set to "DC Resistance" (see the diagrams in this manual for minimum recommended impedance and multiple speaker wiring suggestions). Also check for adequate airflow around the amplifier. ❷ Amplifier shuts down only while vehicle is running = voltage protection circuitry is engaged. Voltage to the amplifier is not within the 6–16 volt operating range. Have the vehicle's charging and electrical system inspected. ❸ Amplifier will only play at low volume levels = short circuit protection is engaged. Check for speaker wires shorted to each other or to the vehicle chassis. Check for damaged speakers or speaker(s) operating below the minimum recommended impedance.

No or low output? ❶ Check the balance and fader controls on source unit. ❷ Check the RCA (or speaker input) and speaker output connections. ❸ Check the volume level on your source unit, to include the volume level of any connected phones or MP3 players.

Alternator noise-whining sound with engine's RPM? ❶ Check for damaged RCA (or speaker input) cable ❷ Check the routing of RCA (or speaker input) cable ❸ Check the source unit for proper grounding ❹ Check the gain settings and turn them down if they are set too high.

CAUTION: When jump starting the vehicle, be sure that connections made with jumper cables are correct. Improper connections can result in blown amplifier fuses as well as the failure of other critical systems in the vehicle.

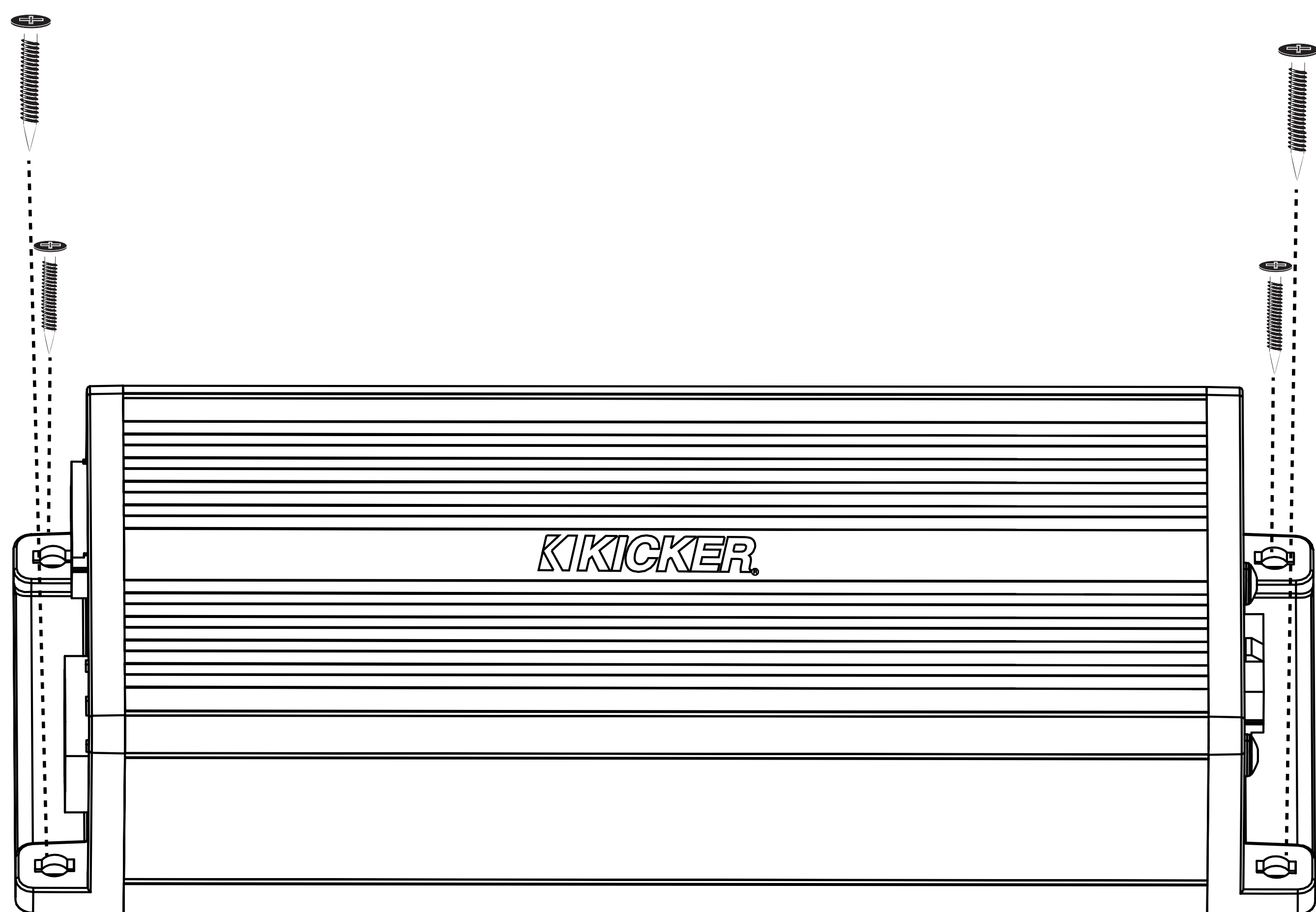
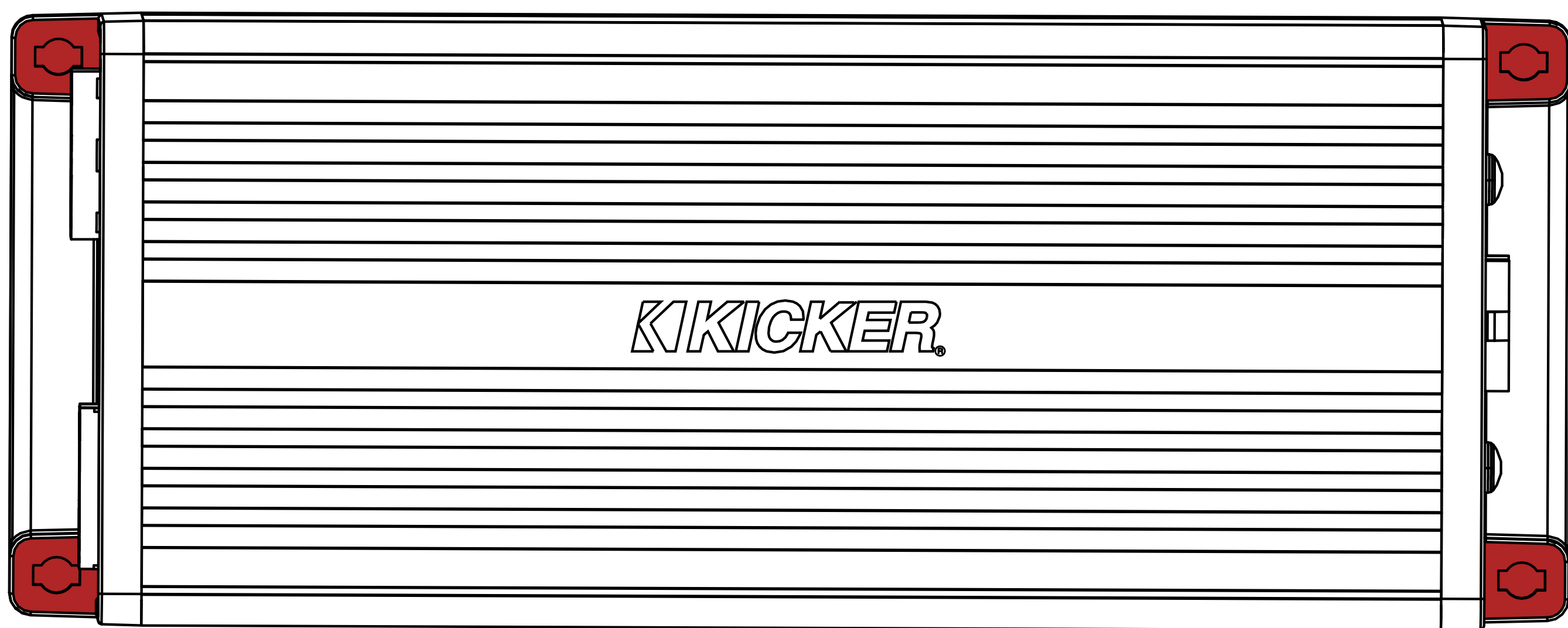
If you have more questions about the installation or operation of your new KICKER product, see the Authorized KICKER Dealer where you made your purchase. For more advice on installation, click on the SUPPORT tab on the KICKER homepage, www.KICKER.com. Choose the TECHNICAL SUPPORT tab, choose the subject you are interested in, and then download or view the corresponding information. Please E-mail support@KICKER.com or call Technical Services (405) 624-8583 for unanswered or specific questions.

KPX300.4

Installation

Mounting

Choose a structurally sound location to mount your KICKER amplifier. Make sure there are no items behind the area where the screws will be driven. Choose a location that allows at least 4" (10cm) of open ventilation for the amplifier. Drill four holes using a $7/64$ " (3mm) bit and use the supplied #8 screws to mount the amplifier.



Power Wiring

[Click Here for Amplifier Install Kits](#)

Model	External Fuse (sold separately)	Power/Ground Wire	KICKER Wiring Kit
KPX300.4	1 x 40 Ampere	8 Gauge	KMPK8, PK8, CK8

KICKER will provide a three-year warranty with all KPX-Series Amplifier purchases paired with a qualifying KICKER Installation Kit*.

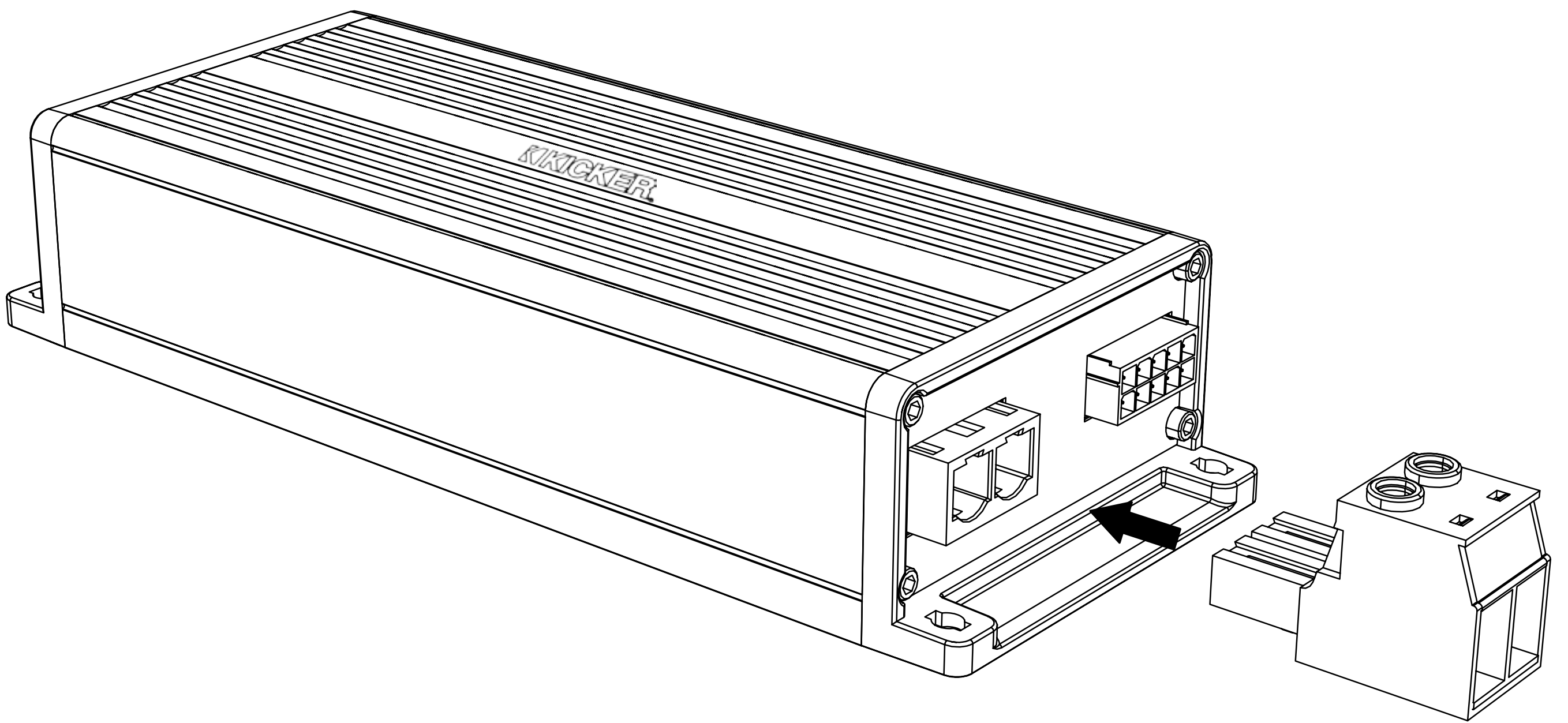


This extends the standard warranty by an additional year. *Amplifier and Kit must be purchased from an **Authorized KICKER Dealer**.*

Using poor-quality, under-spec wiring kits will impede KPX amplifier performance. A superior-quality KICKER installation Kit is guaranteed to extend the life of KPX amplifiers.

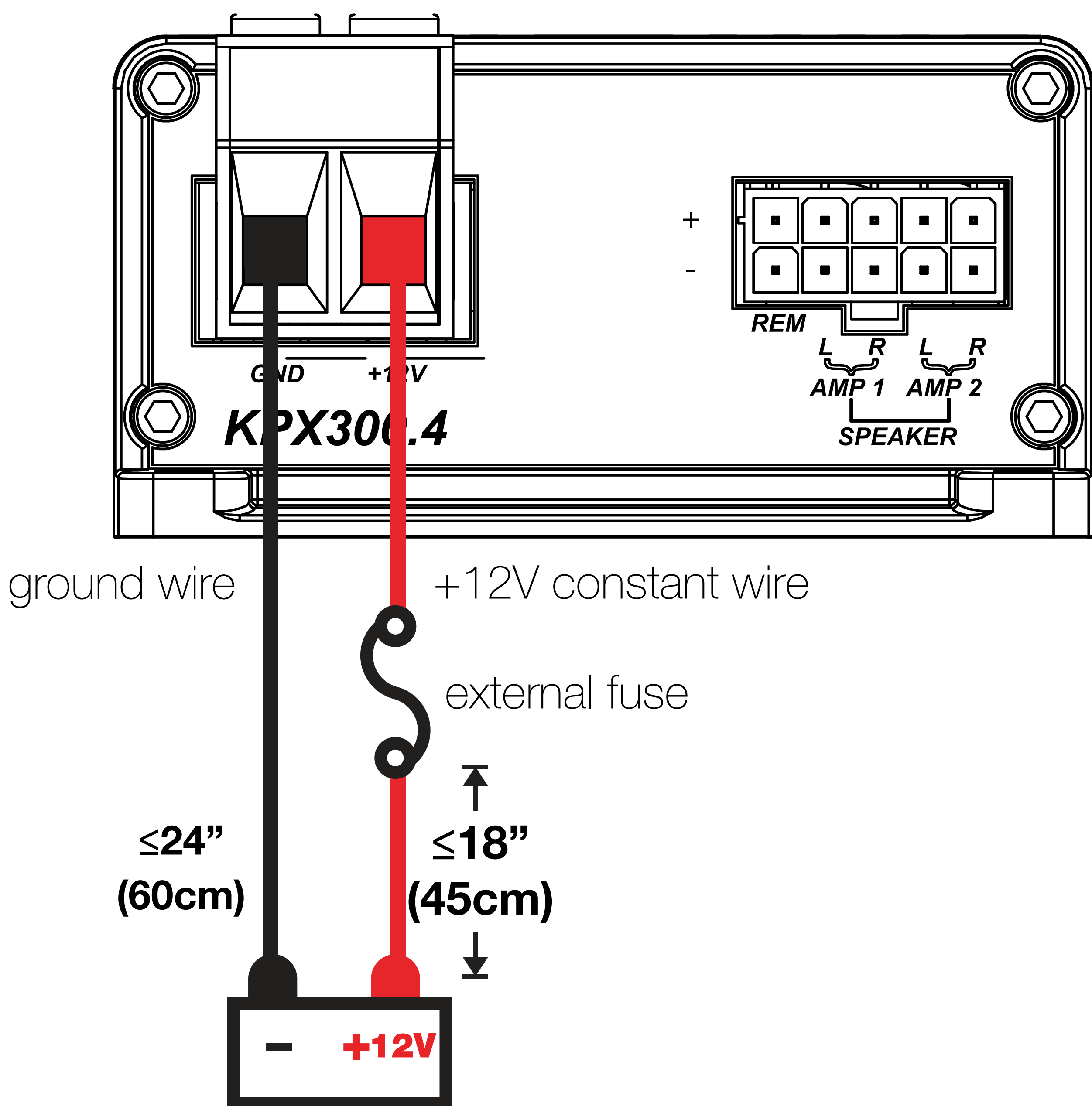
The new extended warranty applies only to KICKER amplifiers and accessories sold to consumers by Authorized KICKER Dealers in the United States of America or its possessions. It also only applies to the original purchaser of KICKER amplifiers and accessories. One warranty extension per amplifier is allowed regardless of the number of amplifier installation kits purchased. This program does not apply to "B"-stock product or factory-refurbished product. This offer is for a limited time, so see your local Authorized KICKER Dealer soon for details.

***U.S.A. Only | EE.UU. solamente | Nur USA | Les USA Seulement**

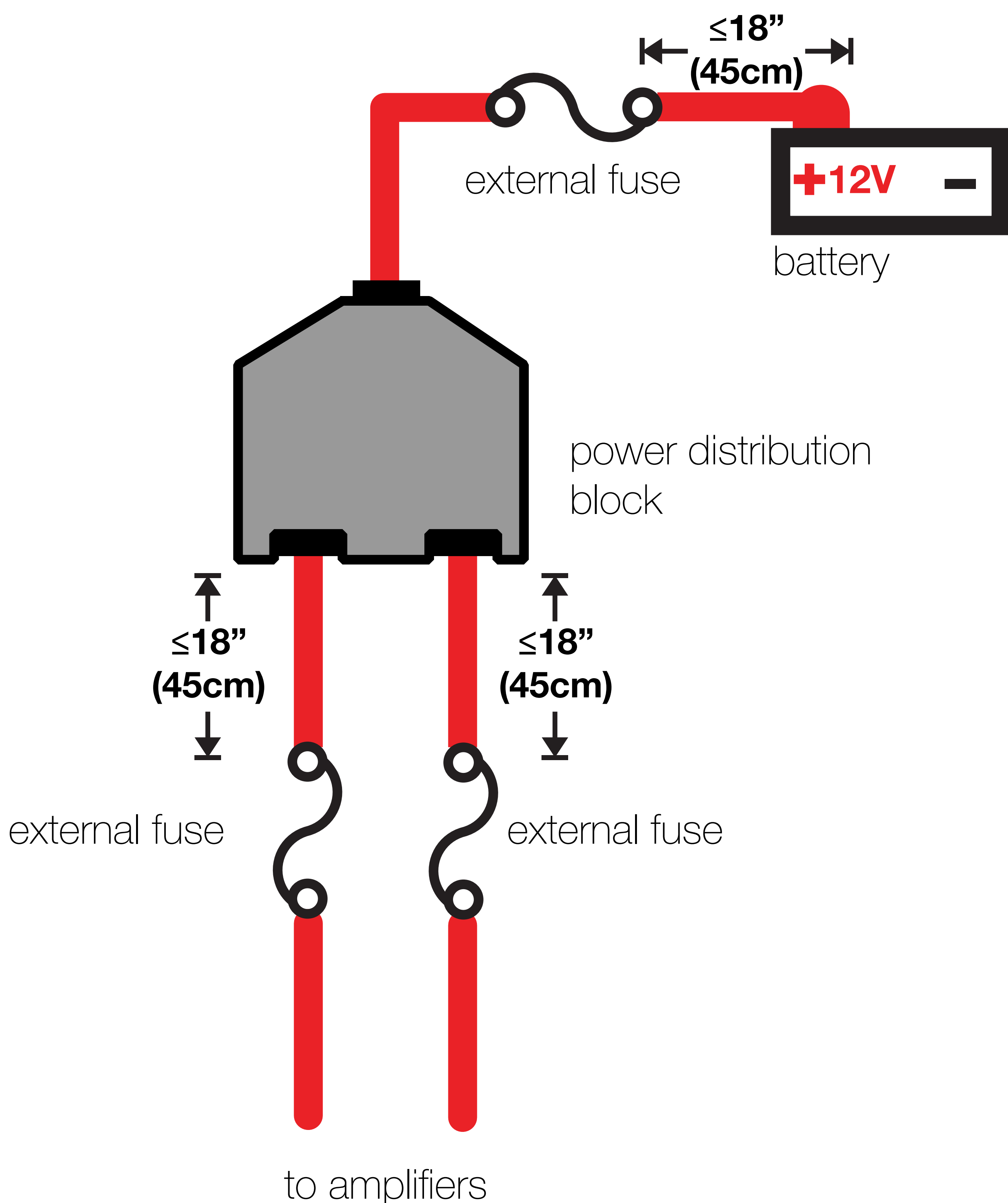


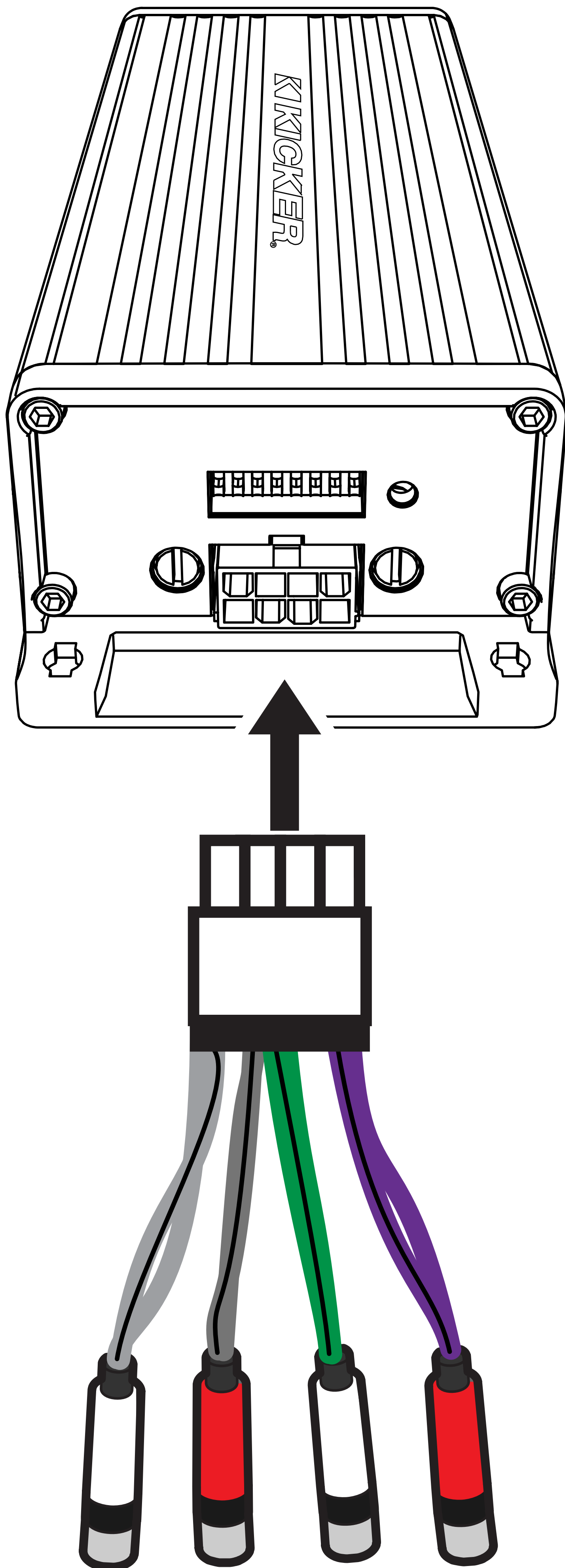
Install the KPX Power & Ground Terminal Adapter to begin. Disconnect the vehicle's battery to avoid an electrical short. A good ground connection is important. If the KPX is mounted in the front fairing of a motorcycle, it will be best to extend the ground wire all the way to the battery. Make the ground wire short, 24" (60cm) or less and, if not connected to the battery, connect it to a paint-and-corrosion-free, solid metal area of the vehicle's chassis. Adding an additional ground wire of this same gauge (or larger) between the battery's

negative post and the vehicle chassis is recommended. Keep the audio signal cable away from factory wiring harnesses and other power wiring. If you need to cross this wiring, cross it at a 90 degree angle. Install a fuse at the blue +12V constant wire. Fuse installation should be as close as possible to the battery, and no further than 18" (45cm) of the battery, and in-line with the harness' power cable, which is connected to your KPX Amplifier. Make sure the power wire is routed so that it will not be damaged, crimped, or shorted. If you ever need to remove the amplifier from the vehicle after it has been installed, the ground wire should be the last wire disconnected from the amplifier; just the opposite as when you installed it.



For multiple amplifier installations where distribution blocks are used, each amplifier should have its proper-rated fuse, or breaker, installed between the amplifier and the distribution block within eighteen inches of the block, or on the distribution block if it provides for fusing. The primary power wire should also be fused between the battery and distribution block, within eighteen inches of the battery's positive terminal, with a fuse or breaker rated at least to the sum of the individual amplifier's fuse values, but doesn't exceed the capacity of your wiring.

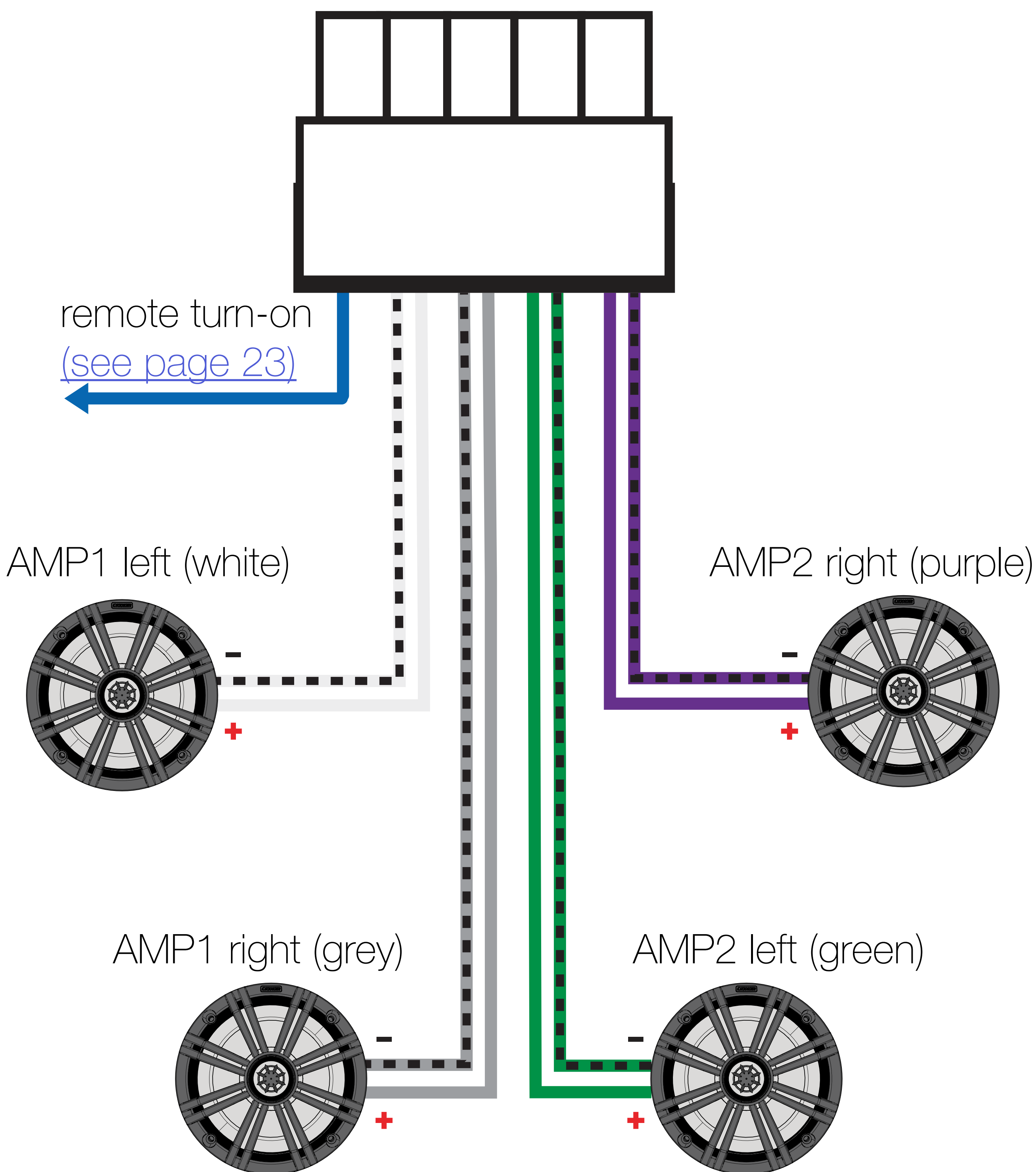
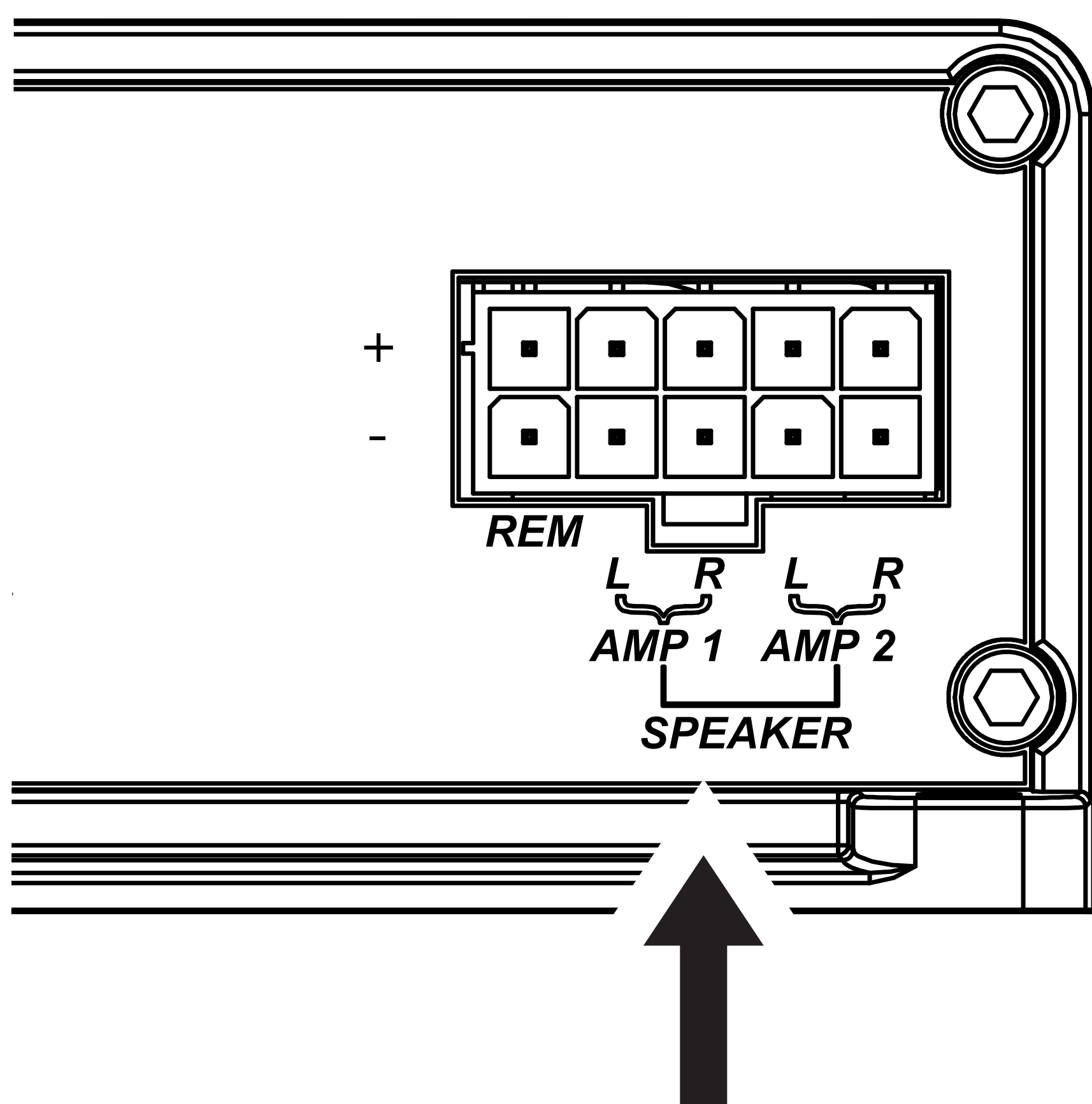




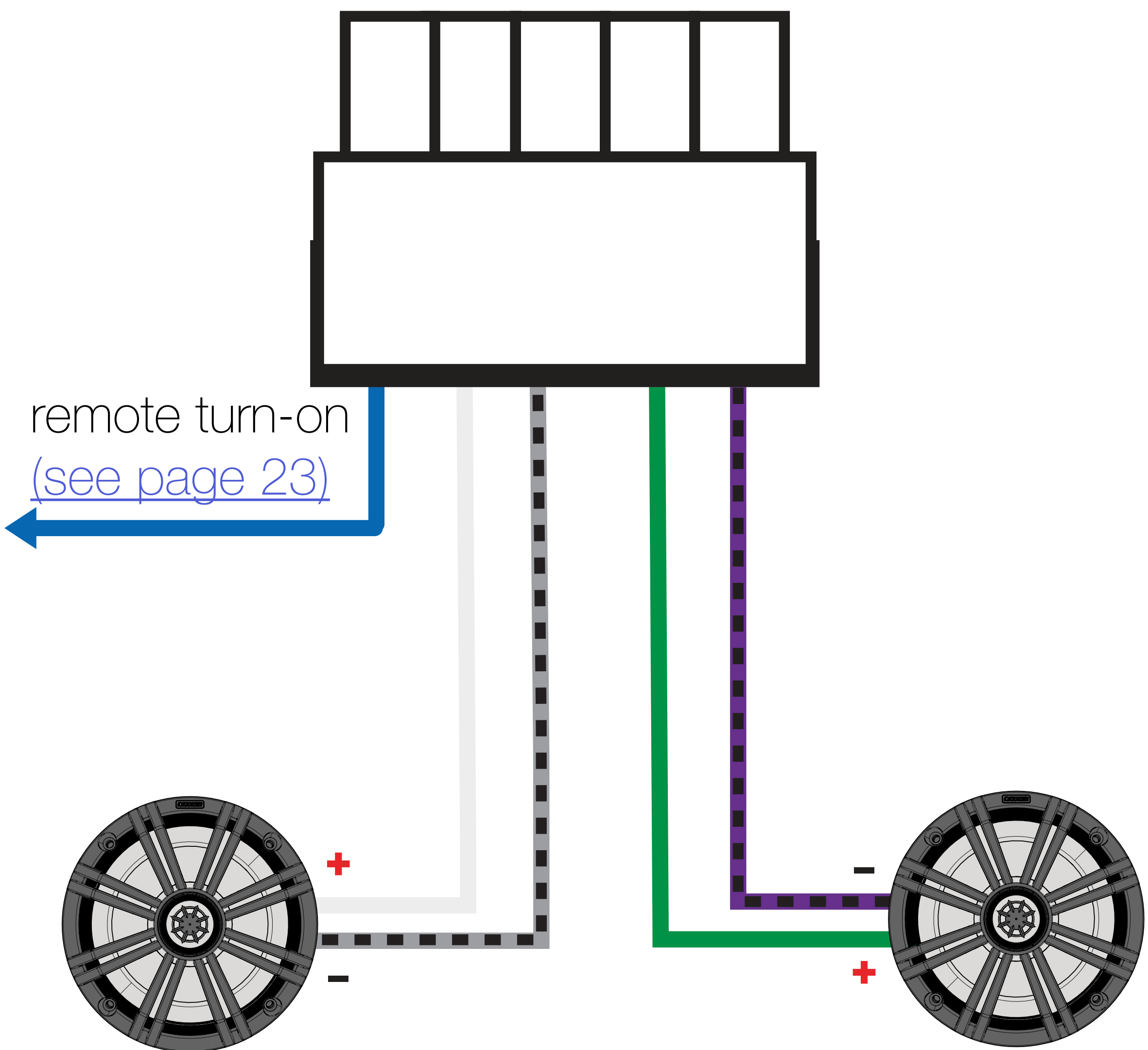
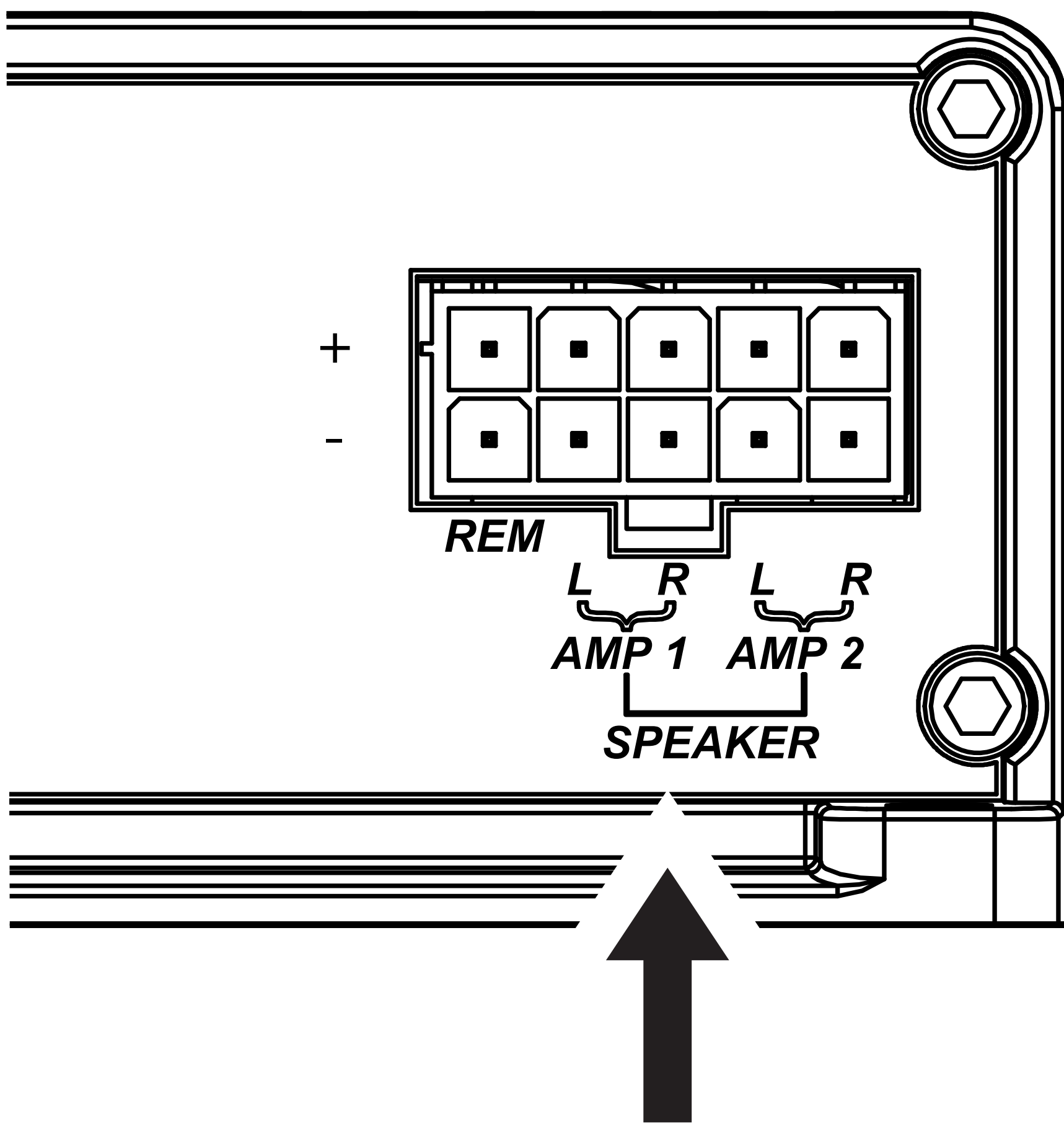
If needed, cut off the RCA connections to use hi-level input, or use the [KICKER KISL Speaker-RCA Converter](#).

Speaker Wiring

(4-Channel Operation)



(Bridged Operation)



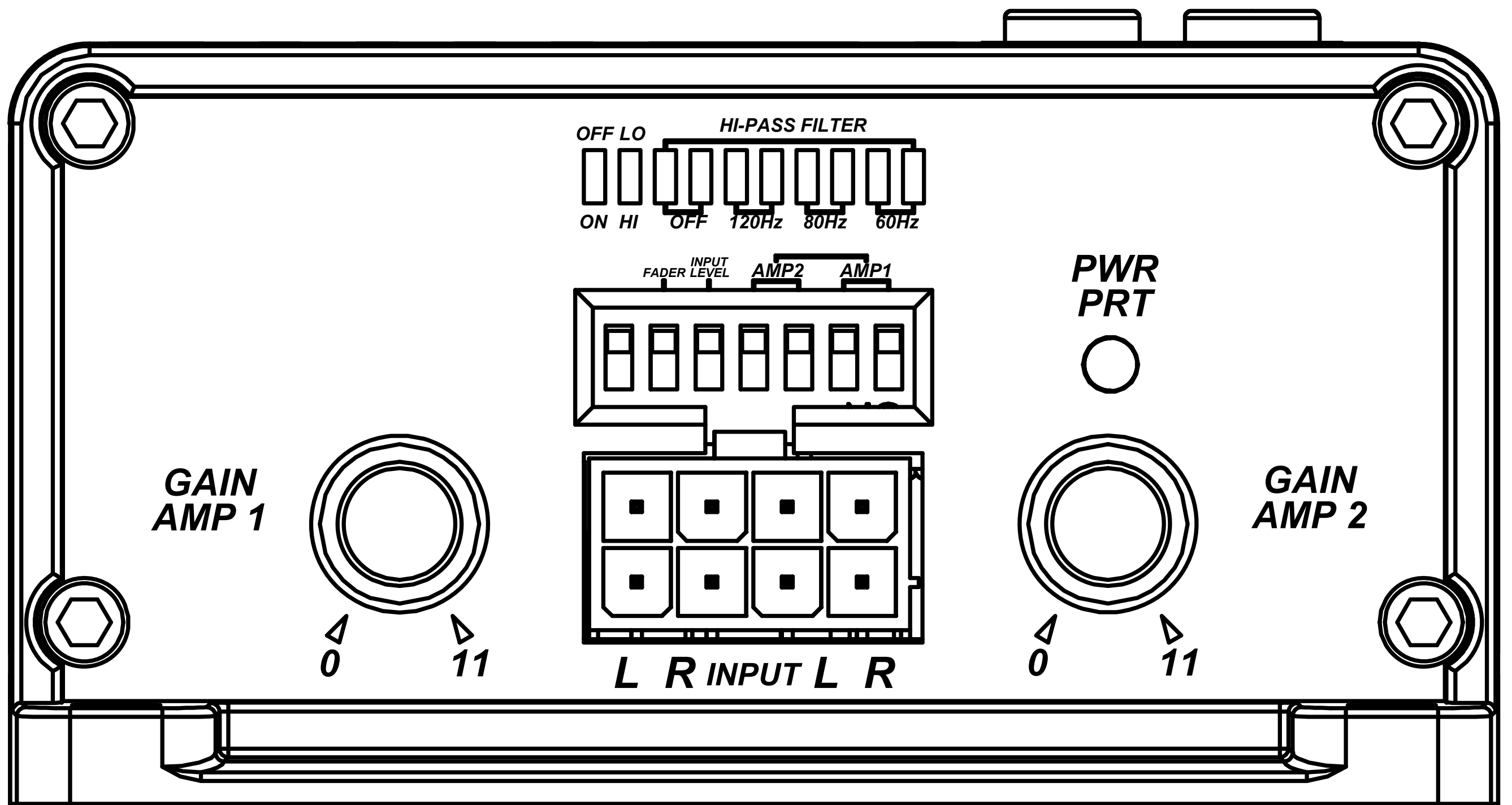
AMP1 left (white) positive
AMP1 right (grey) negative

AMP2 left (green) positive
AMP2 right (purple) negative

You may use a combination of stereo and bridged operation (eg AMP1 Left & Right, and AMP 2 Bridged Mono)

Operation

IMPORTANT: First switch has no function. Never change the switches with the audio system on!



Automatic Turn-On: The KPX-series offers two different automatic turn-on modes; +12V and DC Offset.

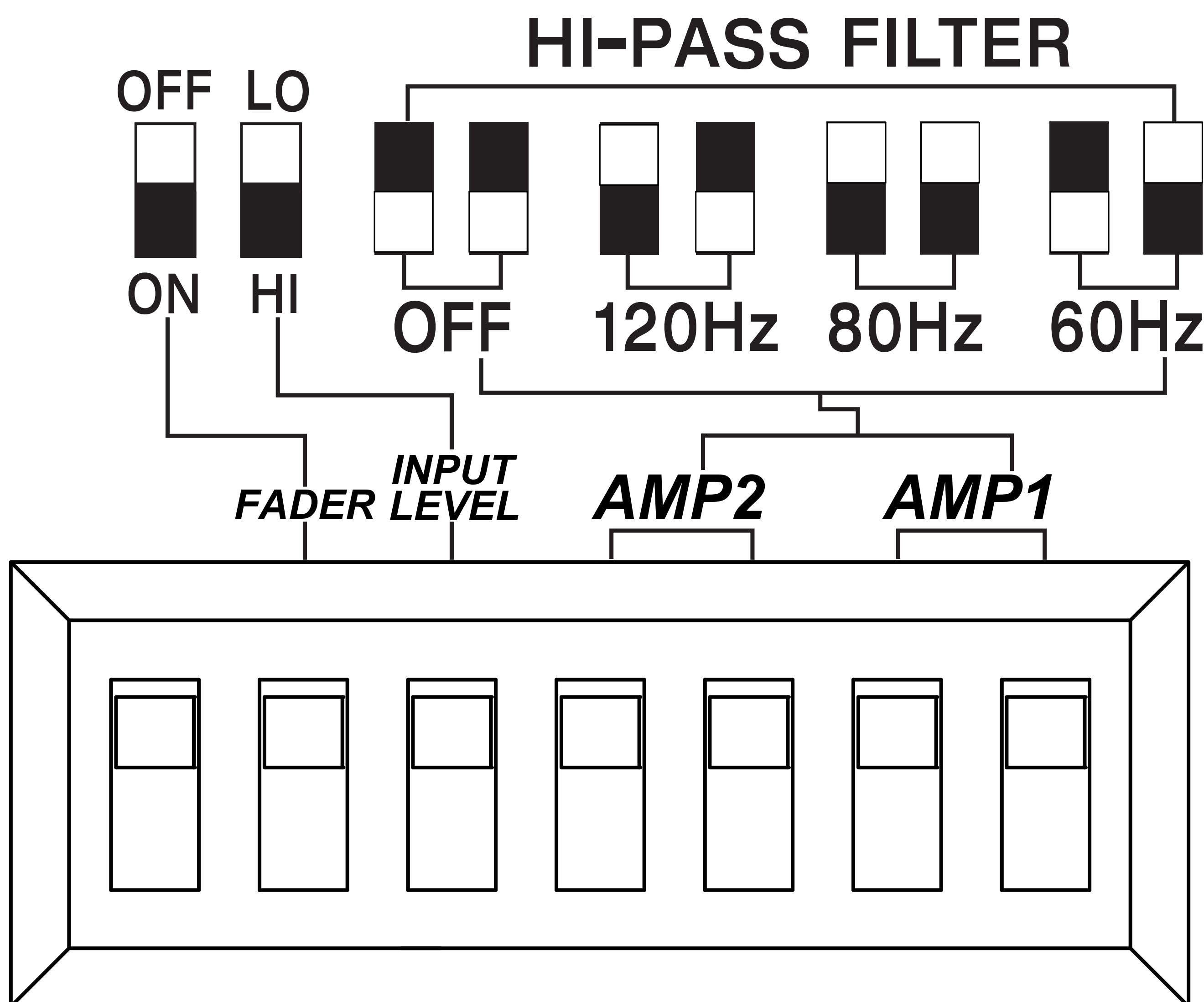
- Remote Turn-On: Run 18 gauge wire from the Remote Turn-On Lead on your source unit to the blue REM wire on the KPX amplifier's wiring harness.
- DC Offset Turn-On: The DC Offset mode detects a >2.5V DC offset from the HI-Level speaker outputs when the source unit has been turned on.

Input Gain Controls: The input gain control is not a volume control. It matches the output of the source unit to the input level of the amplifier. Maximum power out of the amplifier is possible with the gain in the lowest position. Incorrectly setting the gain can result in distorted output or damage to, and premature failure of, your speakers.

For a quick setup, turn the source unit up to about 3/4 volume (if the source unit goes to 30, turn it to 25). Slowly turn up (clockwise) the gain on the amplifier until you can hear audible distortion, then turn it down a little.

To use the preferred method of setting the input gain using a voltmeter or oscilloscope, begin by turning off the amplifier and disconnecting all speakers from it. Turn the gain knob completely off (counterclockwise) and all crossovers off, or to their least effective setting. If a remote bass accessory is connected to the amplifier, turn it completely on (clockwise). Ensure all EQ and DSP settings on the source unit such as bass, treble, fader, seating position etc are set to linear, flat, center, or off. Turn on the amplifier. Play a 0dB sine wave through your source unit and increase the volume to about 3/4 of maximum. Sine wave tracks can be downloaded for free from KICKER.com under the "Support" tab. Use the 50Hz sine wave to set the gain for a subwoofer and the 1kHz sine wave for full-range speakers. Set your voltmeter or oscilloscope to measure AC voltage. Place the voltmeter's probes on the amplifier's speaker output terminals. With the sine wave playing, slowly turn the gain knob clockwise and watch the AC voltage on the voltmeter increase.

When the desired voltage is shown (reference [power chart at KICKER.com](https://www.kicker.com/power-chart)), or you start to see the waveform square off stop increasing the gain, turn the amplifier off, reconnect all speakers and set the crossovers to your desired setting. Your gain is now set for maximum unclipped power from the amplifier. If you increase amplitude using settings on the source unit or the bass boost on the amplifier it will introduce distortion and you will need to redo these steps.



Fader Switch: Turn the fader switch ON if you are running two sets of inputs (front and rear for example) to the amplifier. Leave the fader switch OFF if you want to drive all channels from a single stereo input.

Input Level: Choose whether to receive a HI or LO-level signal from your source unit.

HI-PASS: Use the HI-PASS switches of the amplifier to set the internal crossover. Choose a cutoff of 60Hz, 80Hz, 120Hz, or OFF depending on the configuration of switches.

Troubleshooting

If your amplifier does not appear to be working, check the obvious things first such as blown fuses, poor or incorrect wiring connections, incorrect setting of crossover switch and gain controls, etc. There are Power (PWR) & Protection (PRT) LEDs on the side panel of your KICKER KPX series amplifier. Depending on the state of the amplifier and the vehicle's charging system, the LEDs will glow either green or red. When the green LED is lit, this indicates the amplifier is turned on and no trouble exists.

Green LED off, no output? With a Volt Ohm Meter (VOM) check the following: **❶**+12 volt power terminal (should read +12V to +16V) **❷**Remote turn-on terminal (should read +12V to +16V) **❸**Check for reversed power and ground connections **❹**Ground terminal, for proper conductivity.

Green LED on, no output? Check the following: **❶**RCA connections **❷**Test speaker outputs with a "known" good speaker. **❸**Substitute source unit with a "known" good source unit. **❹**Check for a signal in the RCA cable feeding the amplifier with the VOM meter set to measure "AC" voltage.

Red (PRT) LED flickering with loud music? The red (PRT) LED indicates low battery voltage. Check all the connections in your vehicle's charging system. It may be necessary to replace or charge your vehicle's battery or replace your vehicle's alternator.

Red (PRT) LED on, no output? **❶**Amplifier is very hot = thermal protection is engaged. Test for proper impedance at the speaker terminals with a VOM meter (see the diagrams in this manual for minimum recommended impedance and multiple speaker wiring suggestions). Also check for adequate airflow around the amplifier. **❷**Amplifier shuts down only while vehicle is running = voltage protection circuitry is engaged. Voltage to the amplifier is not within the 6–16 volt operating range. Have the vehicle's charging and electrical system inspected. **❸**Amplifier will only play at low volume levels = short circuit protection is engaged. Check for speaker wires shorted to each other or to the vehicle chassis. Check for damaged speakers or speaker(s) operating below the minimum recommended impedance.

No or low output? **❶**Check the balance and fader controls on source unit. **❷**Check the RCA (or speaker input) and speaker output connections. **❸**If using a Low-Level signal, make sure Radio Detect is OFF. **❹**Check the volume level on your source unit, to include the volume level of any connected phones or MP3 players.

Alternator noise-whining sound with engine's RPM? **❶**Check for damaged RCA (or speaker input) cable **❷**Check the routing of RCA (or speaker input) cable **❸**Check the source unit for proper grounding **❹**Check the gain settings and turn them down if they are set too high.

CAUTION: When jump starting the vehicle, be sure that connections made with jumper cables are correct. Improper connections can result in blown amplifier fuses as well as the failure of other critical systems in the vehicle.

If you have more questions about the installation or operation of your new KICKER product, see the Authorized KICKER Dealer where you made your purchase. For more advice on installation, click on the SUPPORT tab on the KICKER homepage, **www.KICKER.com**. Choose the TECHNICAL SUPPORT tab, choose the subject you are interested in, and then download or view the corresponding information. Please E-mail support@KICKER.com or call Technical Services (405) 624-8583 for unanswered or specific questions.

Warranty

When purchased from an Authorized KICKER Dealer, KICKER warrants this product to be free from defects in material and workmanship under normal use for a period of TWO (2) YEARS from date of original purchase with receipt. If this product is identified as “Refurbished” or “B Goods”, the warranty is limited to a period of THREE (3) MONTHS from the date of original purchase. In all cases you must have the original receipt. Should service be necessary under this warranty for any reason due to manufacturing defect or malfunction during the warranty period, KICKER will repair or replace (at its discretion) the defective merchandise with equivalent merchandise. Warranty replacements may have cosmetic scratches and blemishes. Discontinued products may be replaced with more current equivalent products. This warranty is valid only for the original purchaser and is not extended to owners of the product subsequent to the original purchaser. Any applicable implied warranties are limited in duration to a period of the express warranty as provided herein beginning with the date of the original purchase at retail, and no warranties, whether express or implied, shall apply to this product thereafter. Some states do not allow limitations on implied warranties; therefore, these exclusions may not apply to you. This warranty gives you specific legal rights; however you may have other rights that vary from state to state.

WHAT TO DO IF YOU NEED WARRANTY OR SERVICE:

Defective merchandise should be returned to your local Authorized Stillwater Designs (KICKER) Dealer for warranty service. Assistance in locating an Authorized Dealer can be found at www.KICKER.com or by contacting Stillwater Designs directly. You can confirm that a dealer is authorized by asking to see a current authorized dealer window decal.

If it becomes necessary for you to return defective merchandise directly to Stillwater Designs (KICKER), call the KICKER Customer Service Department at (405) 624-8510 for a Return Merchandise Authorization (RMA) number. Package only the defective items in a package that will prevent shipping damage, and return to:

Stillwater Designs
3100 North Husband St
Stillwater, OK 74075

Contenido

Descripción general	30
Especificaciones	31

KPX Mono

Instalación	32
Montaje.....	32
Cableado	33
Funcionamiento	37
Resolución de problemas	42

KPX 4-CH

Instalación	43
Montaje.....	43
Cableado de alimentación.....	44
Cableado del altavoz	48
Funcionamiento	50
Resolución de problemas	54
Garantía Garantie.....	108

Descripción general

ADVERTENCIA IMPORTANTE DE SEGURIDAD

LA OPERACIÓN CONTINUA Y PROLONGADA DE UN AMPLIFICADOR, ALTAVOZ O SUBWOOFER EN UNA FORMA DISTORSIONADA, CORTADA O CON DEMASIADA POTENCIA PUEDE RECALENTAR SU SISTEMA DE AUDIO Y LLEGAR A INCENDIARLO, ESTO PODRÍA CAUSAR DAÑOS SERIOS A SUS COMPONENTES Y/O VEHÍCULO. LOS AMPLIFICADORES REQUIEREN DE UN MÁXIMO DE 4 PULGADAS (10 CM) DE VENTILACIÓN ABIERTA. LOS SUBWOOFERS DEBEN INSTALARSE CON AL MENOS 1 PULGADA (2.5 CM) DE ESPACIO ENTRE LA PARTE FRONTAL DEL ALTAVOZ Y CUALQUIER SUPERFICIE. ¡LOS PRODUCTOS KICKER TIENEN LA CAPACIDAD DE PRODUCIR NIVELES DE SONIDO QUE PUEDEN DAÑAR DE FORMA PERMANENTE SU AUDICIÓN! AUMENTAR EL VOLUMEN DE UN SISTEMA HASTA UN NIVEL QUE GENERE DISTORSIÓN AUDIBLE ES MÁS DAÑINO PARA SUS OÍDOS QUE ESCUCHAR UN SISTEMA SIN DISTORSIONES AL MISMO NIVEL DE VOLUMEN. EL UMBRAL DEL DOLOR ES SIEMPRE UN INDICADOR DE QUE EL NIVEL DE SONIDO ES DEMASIADO ELEVADO Y PUEDE DAÑAR PERMANENTEMENTE SU AUDICIÓN. UTILICE EL SENTIDO COMÚN CUANDO CONTROLE EL VOLUMEN.

Los amplificadores de la PXA-Series se diseñaron para manejar condiciones extremas de aplicaciones de audio para deportes motorizados y al aire libre, ofreciendo una enorme cantidad de potencia, y sigue siendo eficaz y de vanguardia, haciéndola perfecta para sistemas de carga menos robustos. Úselos con cualquier combinación de productos KICKER, ya sea altavoces para deportes motorizados, altavoces de alto alcance o altavoces clásicos genéricos KICKER. Y no permita que el tamaño pequeño resistente a la intemperie lo engañe; este amplificador llegó para reproducir.

Especificaciones

Modelo:	KPX500.1	KPX300.4
Potencia dinámica	750W	350W
Potencia de salida RMS		
@ 14.4 V, 4Ω estéreo, ≤ 1% THD+N		45W X 4
@ 14.4V, 2Ω stereo, ≤ 1% THD+N		75W X 4
@ 14.4V, 4Ω mono, ≤ 1% THD+N	150W X 1	150W X 2
@ 14.4V, 2Ω mono, ≤ 1% THD+N	300W x 1	
@ 14.4V, 1Ω mono, ≤ 1% THD+N	500W x 1	
Respuesta de frecuencia [Hz]	10Hz – 160Hz	20Hz – 20kHz
Crossover electrónico seleccionable	24dB/Octava, Variable Paso bajo 40–160 Hz	12dB/Octava Paso alto 60/80/120 Hz
Refuerzo de graves KickEQ™	Refuerzo de graves 0/+6db seleccionable @ 40 Hz	N/A
Interruptor On/Off de atenuación	N/A	Sí
Filtro subsónico	24dB/Octava, Variable Paso alto 10–40Hz	N/A
Control de graves remoto	Sí, CXARC (No incluido)	N/A
Longitud [pulgadas, cm]	8 1/2, 21.7	8 1/2, 21.7
Altura [pulgadas, cm]	1 11/16, 4.3	1 11/16, 4.3
Ancho [pulgadas, cm]	3 5/8, 9.2	3 5/16, 8.4
Relación señal-ruido [dB]	>90dB, ponderación A, referencia: potencia nominal	
Relación señal-ruido [dB]	>75dB (referencia: salida de 1W)	
Sensibilidad de entrada	Nivel inferior: 125mV–5V Nivel superior: 1V–40V	

Nota: Todas las especificaciones y cifras de desempeño están sujetas a cambio. Visite www.kicker.com para encontrar la información más reciente. Para obtener el mejor desempeño de su nuevo amplificador KICKER, le recomendamos usar altavoces, accesorios y cables genuinos KICKER.

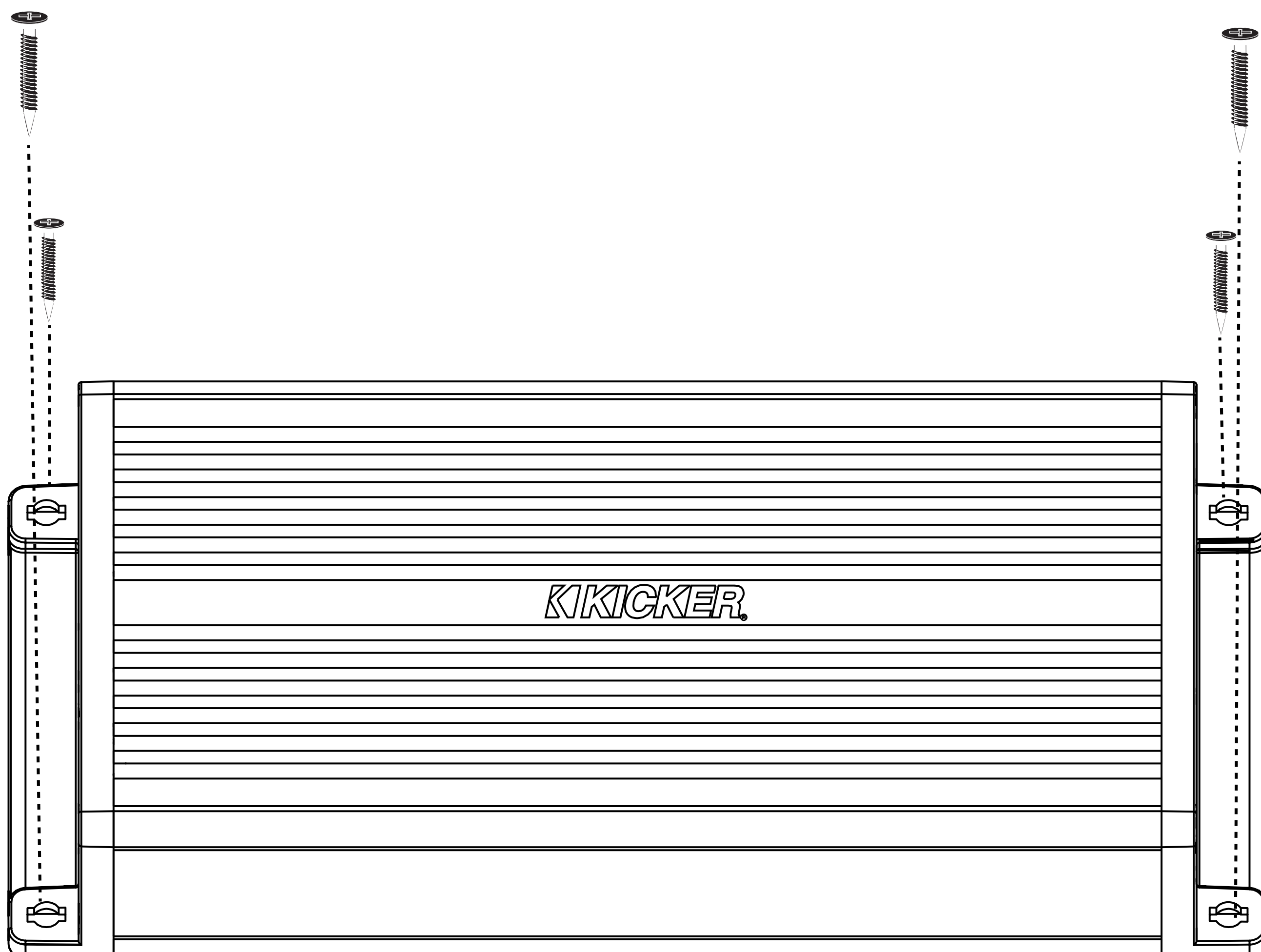
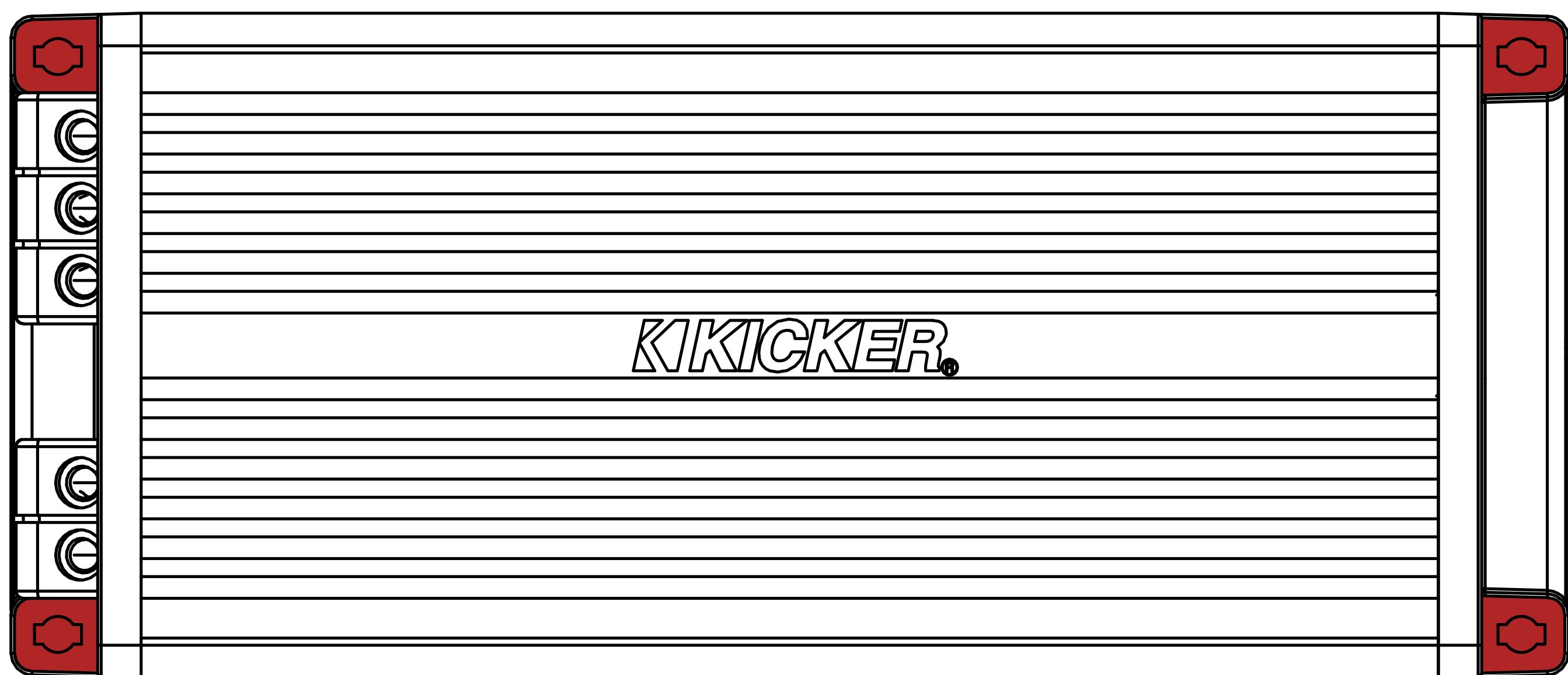
Consejo profesional: Con solo [altavoces PowerSports](#) y unos [pocos cables](#), ¡tendrá una mejora de audio que superará cualquier sistema de fábrica! Los amplificadores KICKER facilitan la actualización para obtener bajos sólidos con su unidad fuente existente u original. Pregunte a su vendedor sobre las mejoras en KICKER.

KPX500.1

Instalación

Montaje

Elija una ubicación estructuralmente sólida para instalar su amplificador KICKER. Asegúrese de que no existan artículos detrás del área donde se van a fijar los tornillos. Seleccione una ubicación que permita al menos 4" (10 cm) de ventilación para el amplificador. Perfore cuatro orificios con una broca de 7/64" (3 mm) y use los tornillos #8 para instalar el amplificador.



Cableado

[Haga clic aquí para kits de instalación de amplificadores](#)

Modelo	Fusible externo (se vende por separado)	Cable de alimentación/tierra	Kit de cableado KICKER
KPX500.1	1 x 60 Amperios	Calibre 8	KMPK8, PK8, CK8

KICKER le ofrece una garantía de tres años con todas las compras de amplificadores de la Serie KPX junto con un Kit de Instalación KICKER elegible*.

Esto extiende la garantía estándar un año más. *El amplificador y el kit deben adquirirse con un **Distribuidor autorizado KICKER**.*

El uso de cableado de baja calidad con características inferiores a las especificadas impedirá el desempeño del amplificador KPX. Un kit de instalación KICKER de calidad superior garantiza una vida útil más larga para los amplificadores KPX.

La nueva garantía extendida aplica solo para amplificadores y accesorios KICKER vendidos a consumidores por Distribuidores autorizados KICKER en los Estados Unidos de América o en sus posesiones. Asimismo solo aplica al comprador original de amplificadores y accesorios KICKER. Se autoriza una extensión de la garantía por amplificador independientemente del número de kits de instalación de amplificadores adquiridos. Este programa no aplica para productos de segunda mano o productos restaurados de fábrica.

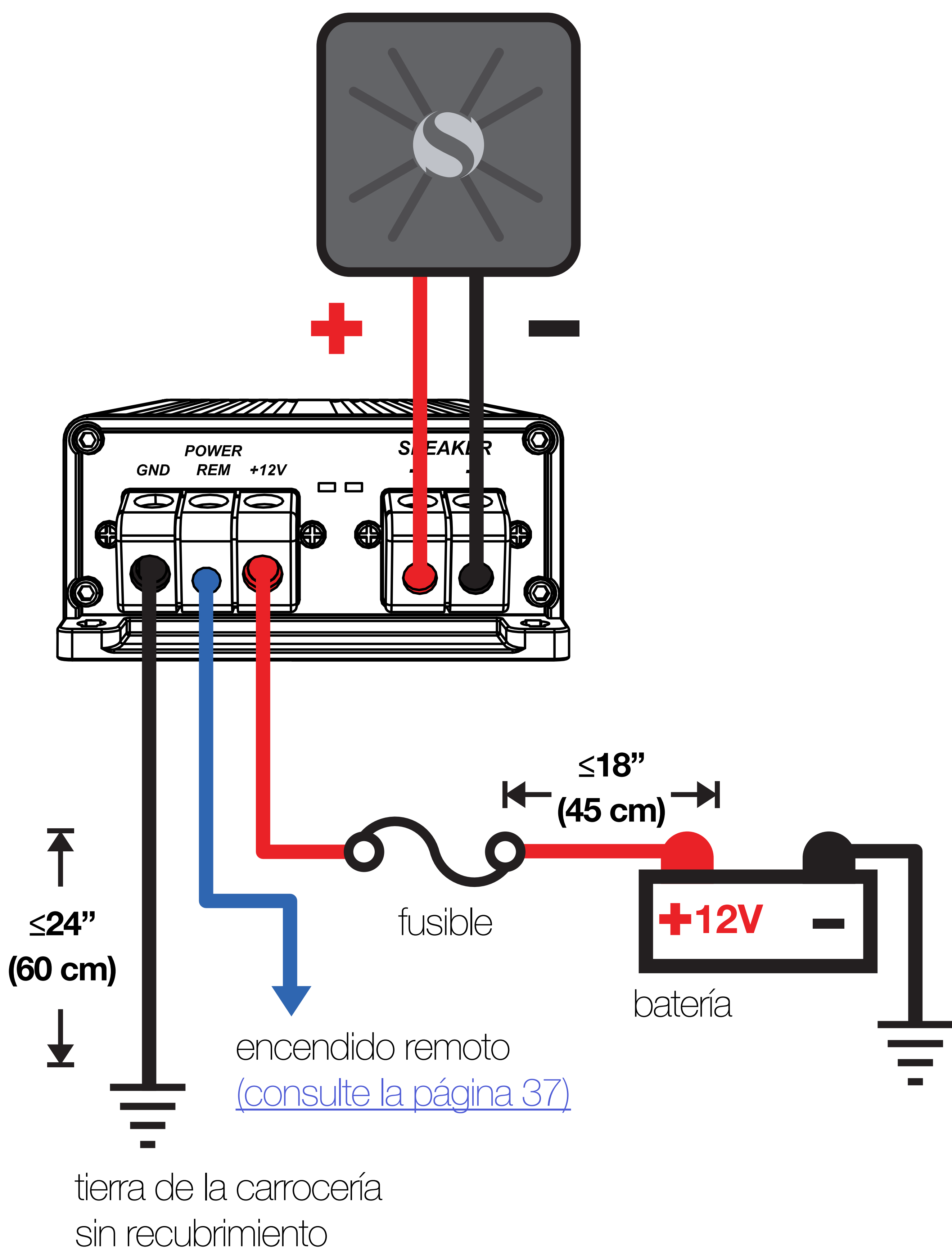
Esta oferta es por tiempo limitado, así que acuda lo antes posible con el Distribuidor autorizado KICKER para conocer los detalles.

***U.S.A. Only | EE.UU. solamente | Nur USA | Les USA Seulement**

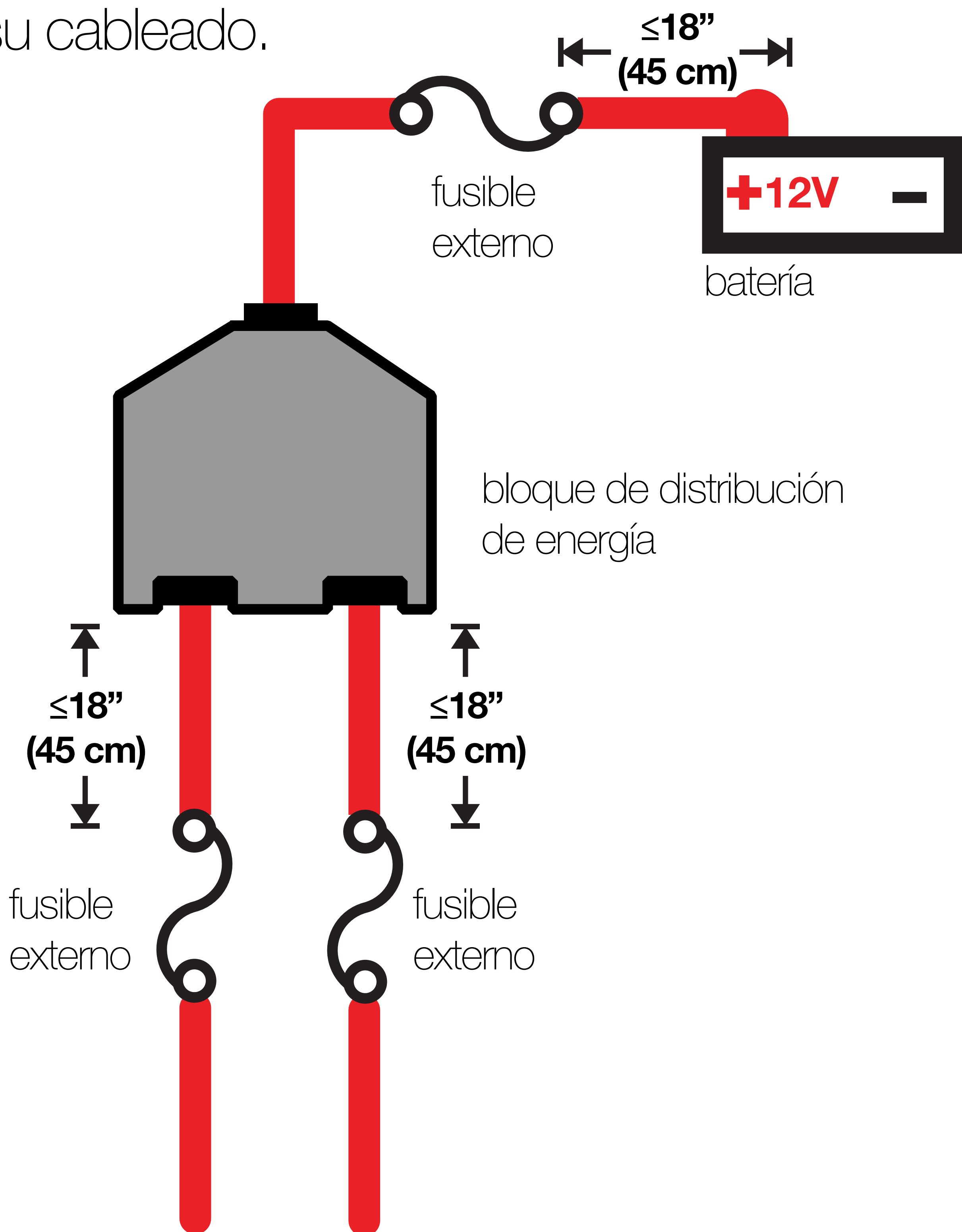
Desconecte la batería del vehículo para evitar un cortocircuito. Una buena conexión a tierra es importante Si el KPX se instala en el alerón delantero de una motocicleta, será mejor extender el cable de tierra hasta la batería. Recorte el cable de tierra a 24" (60 cm) o menos y, si no está conectado a la batería, conéctelo a un área metálica, sólida, sin pintura ni corrosión de la carrocería del vehículo. Se recomienda agregar un cable de tierra adicional de esta misma medida (o más largo) entre el polo negativo de la batería y la carrocería del vehículo. Mantenga el cable de señal de audio lejos de cableados eléctricos de fábrica y otros cableados de alimentación. Si necesita cruzar este cable, hágalo en un ángulo de 90 grados. Instale un fusible en el cable constante azul de +12V La instalación

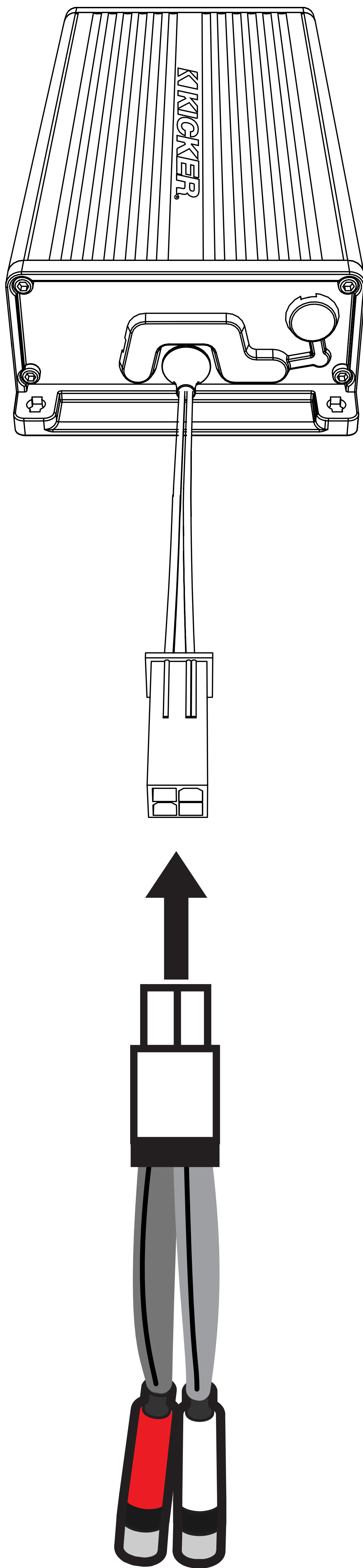


del fusible debe realizarse lo más cerca posible a la batería, a una distancia no mayor a 18" (45 cm) de la batería y en línea con el cable de alimentación del arnés, que se conecta a su amplificador KPX. Asegúrese que el cable de alimentación se enrute de forma tal que no se dañe, preense o presente un cortocircuito. Si en algún momento necesita retirar el amplificador del vehículo después de haberlo instalado, el cable de tierra debe ser el último en ser desconectado del amplificador, lo opuesto a cuando se instala.



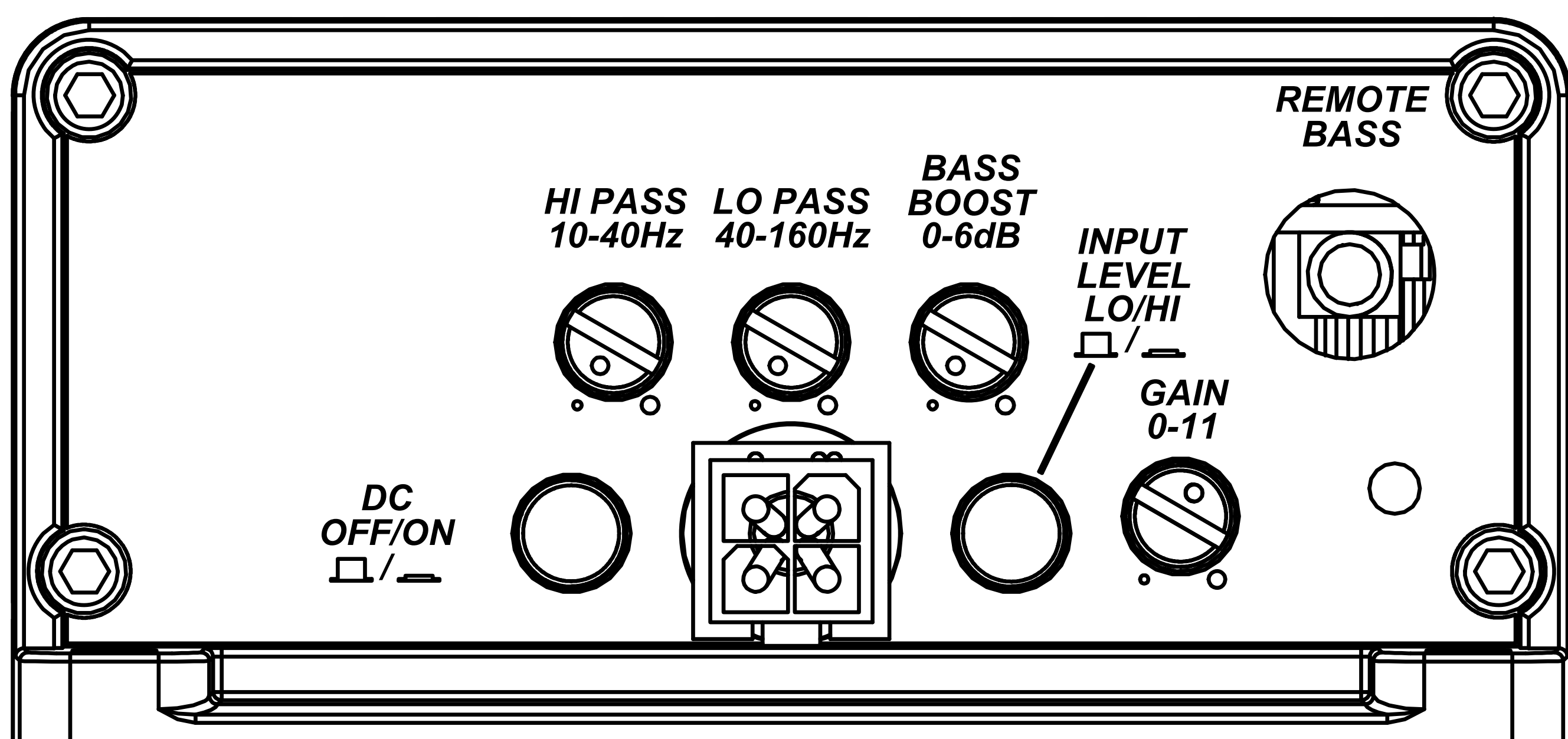
Para instalaciones de múltiples amplificadores donde se utilizan bloques de distribución, cada amplificador debe tener su propio fusible o disyuntor con la clasificación apropiada, instalado entre el amplificador y el bloque de distribución a una distancia no mayor a 18 pulgadas del bloque, o en el bloque de distribución si este provee de fusibles. El cable principal de alimentación debe también tener fusibles entre la batería y el bloque de distribución a no más de 18 pulgadas de la terminal positiva de la batería, con un fusible o disyuntor con clasificación de al menos la suma de los valores individuales del fusible del amplificador, pero que no exceda la capacidad de su cableado.





Si es necesario, desconecte las conexiones RCA para usar la entrada de nivel alto, o use el [Convertidor de salida de altavoz a RCA KISL de KICKER.](#)

Funcionamiento



Encendido automático: La serie KPX ofrece dos modos diferentes de encendido automático; +12V y Compensación de CC.

- Encendido remoto: Instale el cable de calibre 18 del conductor de encendido remoto en su unidad fuente al cable azul REM en el arnés de cableado del amplificador KPX.
- Encendido de modo de compensación de CC: El modo Compensación de CC detecta una compensación de CC >2.5 V en las salidas del altavoz de nivel superior cuando se enciende la unidad fuente. Para usar el modo Compensación de CC, el botón DC OFF/ON debe estar en posición ON o IN. Al usar el modo Compensación de CC, el terminal REM se convierte en una salida conmutada de +12V (100mA) para encender otros amplificadores y dispositivos.

NIVEL DE ENTRADA: Las entradas de RCA tienen la capacidad de recibir señales de nivel alto o bajo desde su unidad fuente. Si la única salida disponible desde su unidad fuente es una señal de nivel alto, solo presione el interruptor del nivel de entrada en el amplificador. Consulte la sección de cableado de este manual para instrucciones adicionales.

GANANCIA DE ENTRADA: El control de ganancia de entrada no es un control de volumen. Hace coincidir la salida de la unidad fuente al nivel de entrada del amplificador. Es posible obtener la máxima potencia del amplificador con la ganancia en su posición más baja. Ajustar la ganancia de forma incorrecta puede provocar una salida distorsionada o el daño y falla prematura de sus altavoces. Para una configuración rápida, encienda la unidad fuente a 3/4 de volumen (si la unidad fuente sube hasta 30, enciéndala a 25). Gire lentamente (a la derecha) la ganancia en el amplificador hasta que pueda escuchar distorsión audible, después bájela un poco.

Para utilizar el método preferido de configuración de ganancia de entrada mediante un voltímetro o un osciloscopio, comience apagando el amplificador y desconectando los amplificadores de este. Gire completamente la perilla de ganancia para desactivarla (hacia la izquierda) así como todos los crossovers, o a su nivel menos efectivo. Si se conecta un accesorio de bajos remoto al amplificador, enciéndalo completamente (hacia la derecha). Asegúrese que todos los ajustes de EQ y DSP en la unidad fuente como bajo, agudo, atenuación, posición de conducción etc., estén ajustados en lineal, plano, central o apagado. Encienda el amplificador. Reproduzca una onda senoidal

de 0dB a través de la unidad fuente e incremente el volumen a alrededor de 3/4 del límite máximo. Las pistas de onda senoidal pueden descargarse sin costo desde KICKER.com en la pestaña de "Soporte". Use la onda senoidal de 50Hz para configurar la ganancia para un subwoofer y la onda senoidal de 1kHz para altavoces de largo alcance. Configure su voltímetro u osciloscopio para medir el voltaje de CA. Coloque los sensores del voltímetro en las terminales de salida del altavoz del amplificador. Mientras se reproduce la onda senoidal, gire lentamente el botón de ganancia a la derecha y observe el voltaje de CA incrementar en el voltímetro.

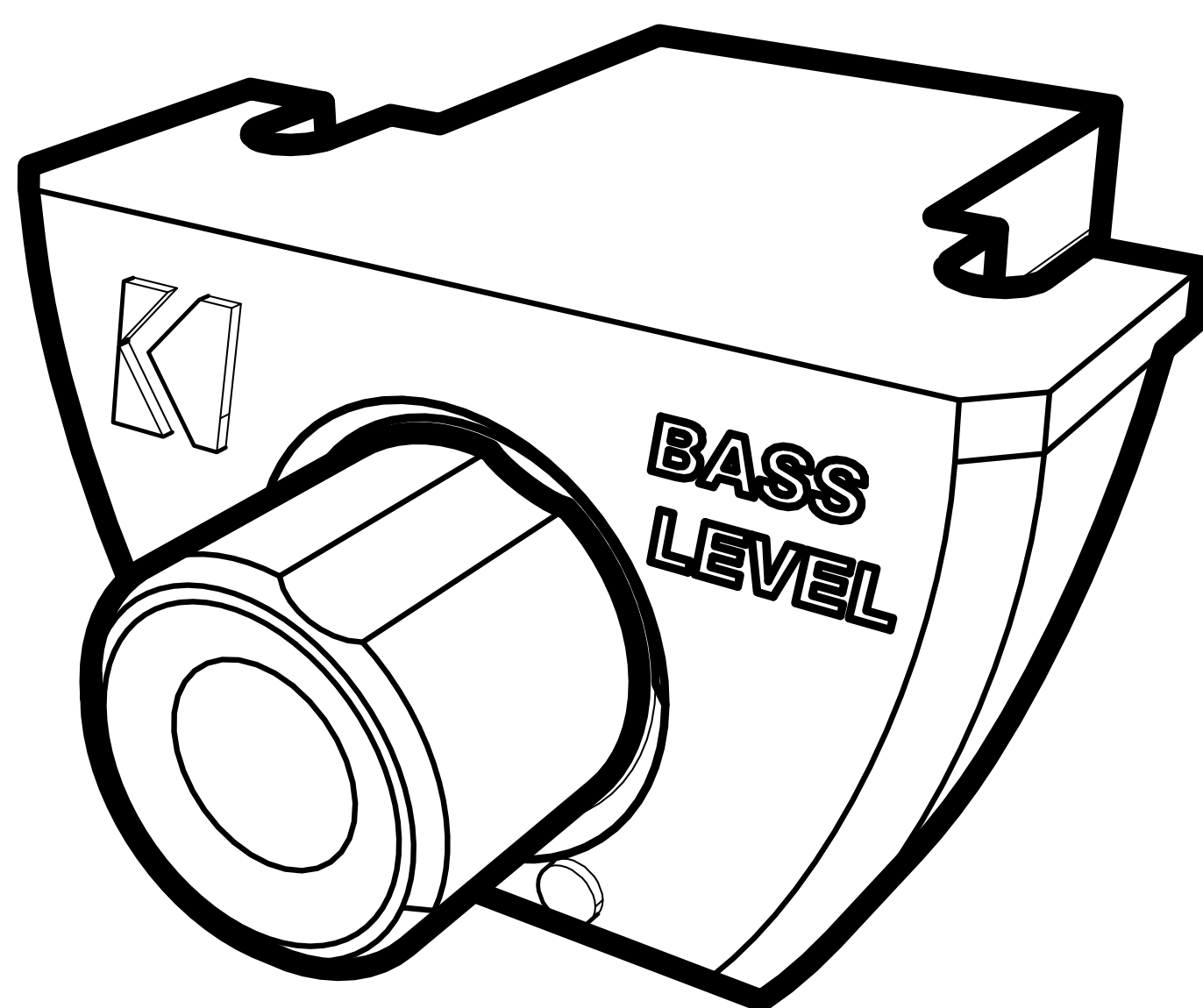
Cuando se muestre el voltaje deseado (consulte la [tabla de potencia en KICKER.com](http://KICKER.com)), o comience a ver que la forma de onda se cuadra, suspenda el incremento de ganancia, apague el amplificador, conecte nuevamente todos los altavoces y configure los crossovers a su ajuste deseado. Ahora su ganancia está configurada para la potencia máxima sin recorte desde el amplificador. Si incrementa la amplitud usando los ajustes en la unidad fuente o en el refuerzo de graves del amplificador, la distorsión aparecerá y será necesario que realice estos pasos nuevamente.

HI-PASS (Filtro subsónico): Utilice el botón HI-PASS del amplificador para establecer el filtro paso-alto desde 10–40 Hz. El amplificador pasará el audio por encima del umbral de frecuencia seleccionado. Esto se utiliza para proteger el conductor del subwoofer de amplitudes mayores debido a frecuencias ultra bajas. Lo más común es que usted desee configurar una octava por debajo de la frecuencia de sintonización del gabinete (por ejemplo si la caja está adaptada para 40 Hz, use una configuración de 20 Hz).

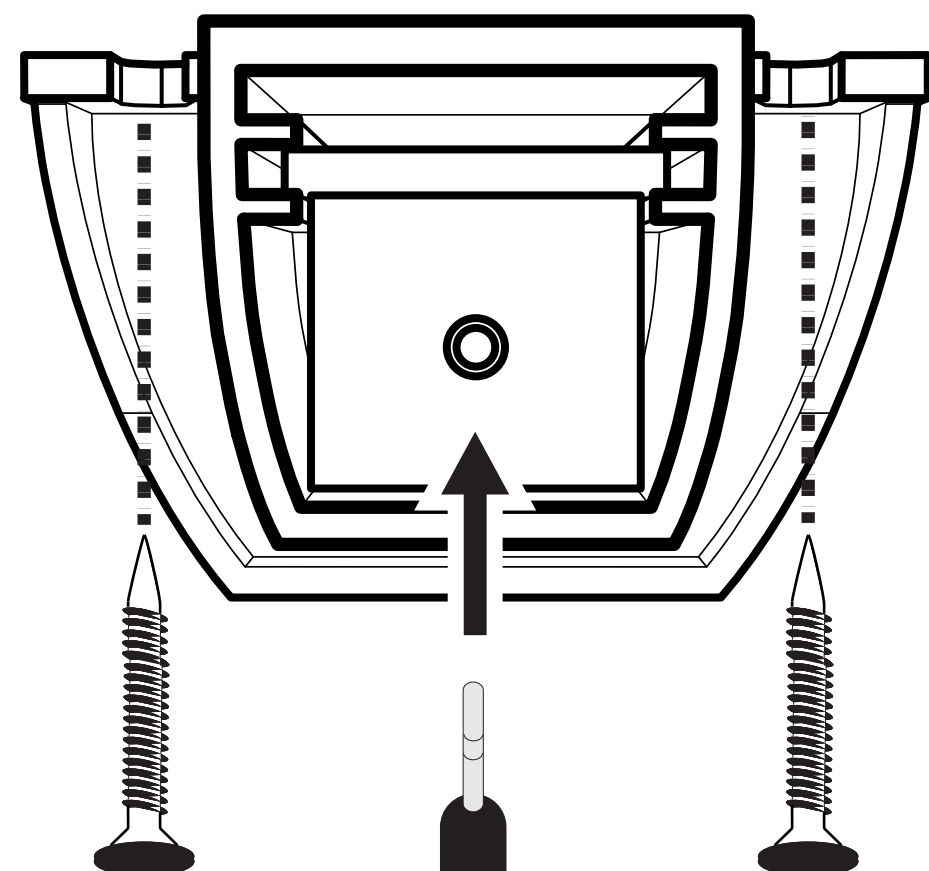
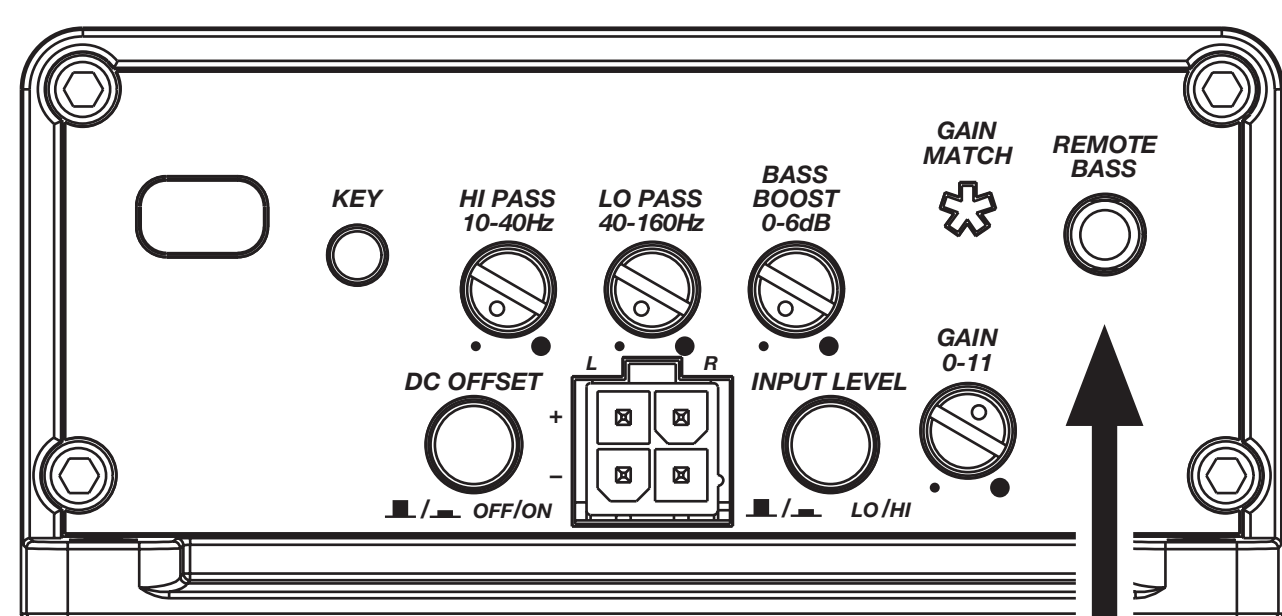
LO-PASS: use el botón LO-PASS del amplificador para configurar el filtro de paso-bajos interno de 40 a 160 Hz. El amplificador pasará el audio por debajo del umbral de frecuencia seleccionado. El subwoofer debe reproducir solo notas graves profundas. Si escucha voces en el subwoofer, prueba reducir el punto de crossover solo hasta que se escuchen los subgraves.

REFUERZO DE GRAVES: el control variable de refuerzo de graves en el extremo del amplificador está diseñado para ofrecerle mayor salida, 0–6dB, a 40 Hz. La configuración para este control es subjetiva. Si sube el volumen, debe reajustar el control de ganancia de entrada para evitar sobremodular el amplificador.

REMOTE BASS: Con el control remoto de nivel de bajos CXARC, puede controlar el nivel de salida del amplificador a distancia. Para montar en superficie el control remoto del nivel de bajos, solo fije el control remoto en la ubicación deseada, después extienda el cable desde el controlador hasta el conector del "Control remoto de bajos" en el panel del amplificador. Una vez que la ganancia del amplificador se configure correctamente, este control de nivel de bajos le permitirá incrementar o reducir el nivel del subwoofer hasta el punto de salida máxima, no sobremodulada (sin distorsión).



Monte el control remoto CXARC sobre la superficie usando los tornillos suministrados.



vista trasera

Resolución de problemas

Si parece que su amplificador no funciona, revise las posibilidades obvias primero, como fusibles fundidos, conexiones del cableado incorrectas o deficientes, configuración incorrecta del interruptor del crossover y de los controles de ganancia, etc. Hay LED de Alimentación (PWR) y Protección (PRT) en el panel lateral de su amplificador de la serie KPX de KICKER. Dependiendo del estado del amplificador y del sistema de carga del vehículo, los LED se iluminarán en verde o en rojo. Cuando el LED se ilumina en verde, esto indica que el amplificador está encendido y que no hay ningún problema.

¿El LED verde está apagado y no hay salida? Con un multímetro (VOM) revise lo siguiente:
Terminal de voltaje de alimentación +12 (debe tener una lectura de +12V a +16V) Terminal de encendido remoto (debe tener una lectura de +12V a +16V) Revise la potencia inversa y las conexiones a tierra Terminal a tierra para la conductividad apropiada.

¿El LED verde está encendido y no hay salida? Verifique lo siguiente: Conexiones RCA Pruebe las salidas del altavoz con un altavoz que esté seguro que funciona. Sustituya la unidad fuente con una unidad fuente que esté seguro que funciona. Revise si hay señal en el cable RCA que alimenta al amplificador con el multímetro configurado para medir voltaje de CA. Use un tono de prueba de 50 Hz.

¿El LED rojo (PRT) parpadea con música en alto volumen? El LED rojo (PRT) indica bajo voltaje de la batería. Revise todas las conexiones en el sistema de carga de su vehículo. Tal vez sea necesario reemplazar o cargar la batería de su vehículo o reemplazar el alternador de su vehículo.

¿El LED rojo (PRT) está encendido y no hay salida? El amplificador está muy caliente = la protección térmica está activada. Pruebe la impedancia apropiada en las terminales del altavoz con un multímetro configurado en "Resistencia de CC" (consulta los diagramas en este manual para conocer la impedancia mínima recomendada y sugerencias sobre cableado para múltiples altavoces). Revise también si existe el flujo de aire adecuado alrededor del amplificador. El amplificador se apaga solo mientras el vehículo está en marcha = el circuito de protección de voltaje está activado El voltaje hacia el amplificador no se encuentra dentro del rango de voltaje de operación de entre 6 y 16. Lleve a revisar el sistema de carga y eléctrico del vehículo. El amplificador solo reproducirá en niveles de volumen bajos = protección contra cortocircuito está activada. Revise si existe un cortocircuito entre los cables del altavoz o con la carrocería del vehículo. Revise si los altavoces están dañados o si su operación está por debajo de la impedancia mínima recomendada.

¿No hay salida o es muy baja? Revise los controles de balance y atenuación en la unidad fuente. Revise las conexiones del RCA (o de la entrada del altavoz) y de la salida del altavoz. Revise el nivel del volumen en su unidad fuente, para incluir el nivel de volumen de todos los teléfonos o reproductores de MP3 conectados.

¿Sonido parecido a un chirrido en el alternador con el RPM del motor? Verifique si existen daños en el cable RCA (o de la entrada del altavoz) Verifique el enrutamiento del cable RCA (o de la entrada del altavoz) Compruebe si la unidad fuente tiene la conexión a tierra apropiada Revise las configuraciones de ganancia y redúzcalas si están configuradas demasiado alto.

PRECAUCIÓN: cuando ponga en marcha el vehículo, asegúrese que las conexiones realizadas con los cables de arranque estén correctas. Conexiones inadecuadas pueden provocar que los fusibles del amplificador se fundan así como la falla en otros sistemas críticos en el vehículo.

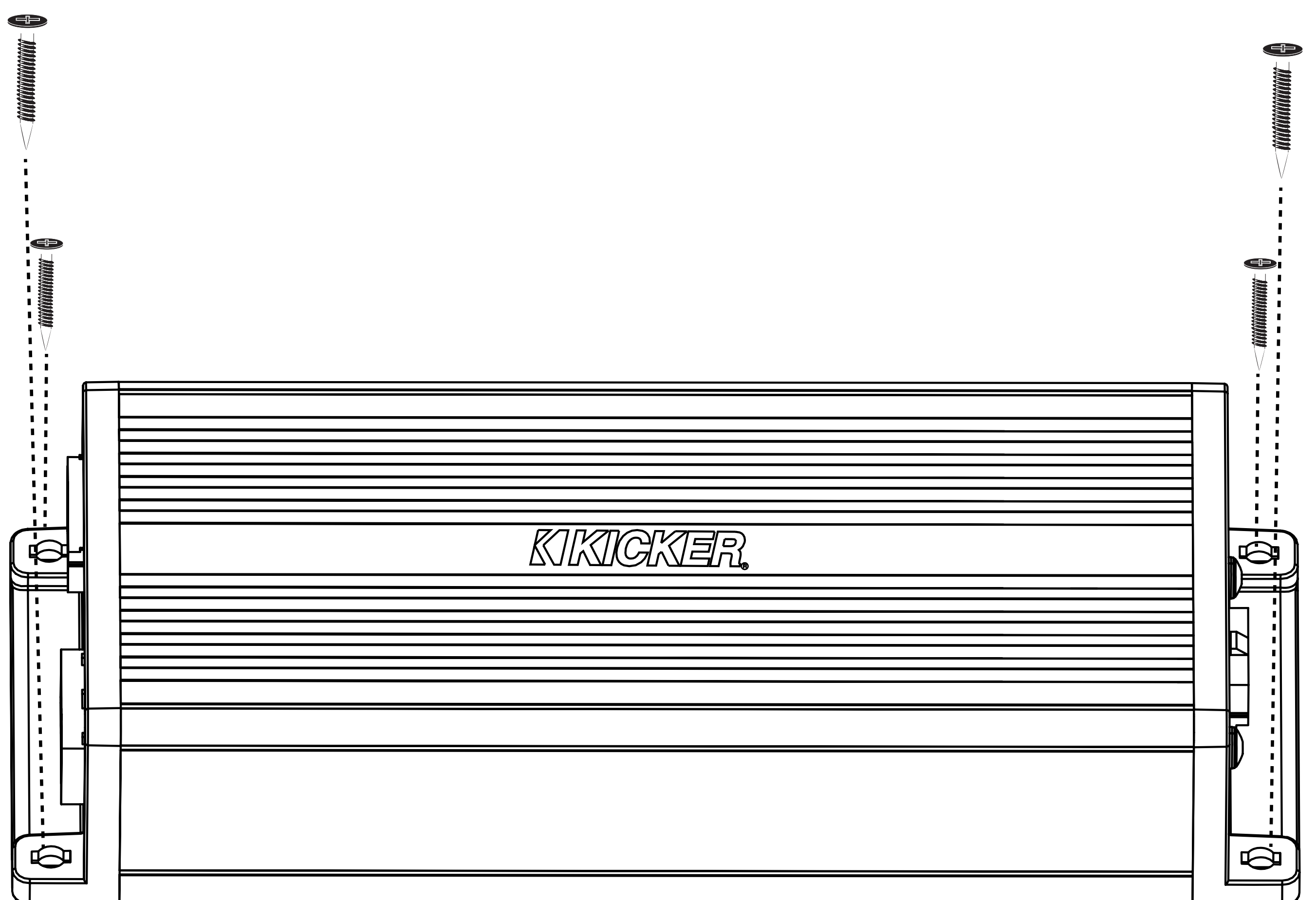
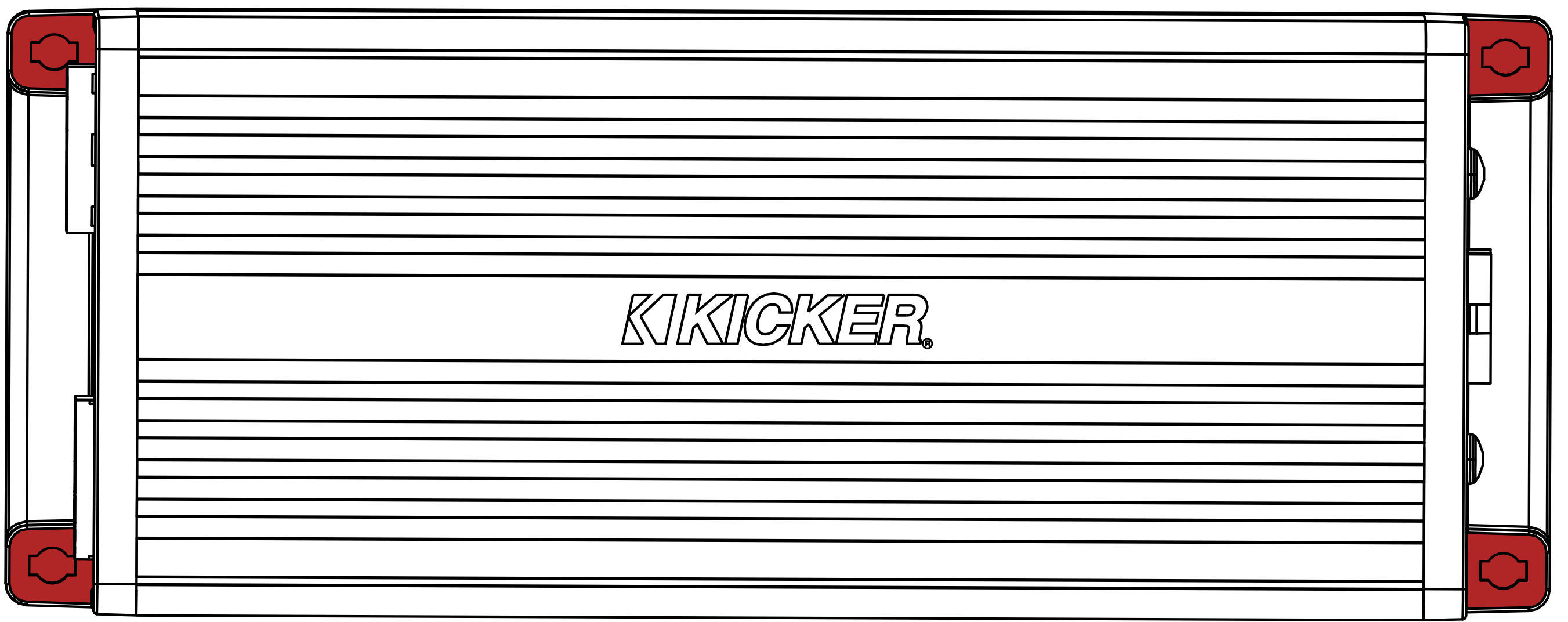
Si tiene más preguntas sobre la instalación u operación de su nuevo producto KICKER, consulte al Vendedor autorizado KICKER cuando realice la compra. Para mayor asesoramiento sobre la instalación, presione la pestaña de SOPORTE en la página de inicio de KICKER, **www.KICKER.com**. Seleccione la pestaña SOPORTE TÉCNICO, elija el tema que le interese y después descargue o revise la información correspondiente. Envíe un correo electrónico a support@KICKER.com o llame a Servicio Técnico al (405) 624-8583 si tiene preguntas específicas o sin respuesta.

KPX300.4

Instalación

Montaje

Elija una ubicación estructuralmente sólida para instalar su amplificador KICKER. Asegúrese de que no existan artículos detrás del área donde se van a fijar los tornillos. Seleccione una ubicación que permita al menos 4" (10 cm) de ventilación para el amplificador. Perfore cuatro orificios con una broca de 7/64" (3 mm) y use los tornillos #8 para instalar el amplificador.



Cableado de alimentación

[Haga clic aquí para kits de instalación de amplificadores](#)

Modelo	Fusible externo (se vende por separado)	Cable de alimentación/tierra	Kit de cableado KICKER
KPX300.4	1 x 40 Amperios	Calibre 8	KMPK8, PK8, CK8

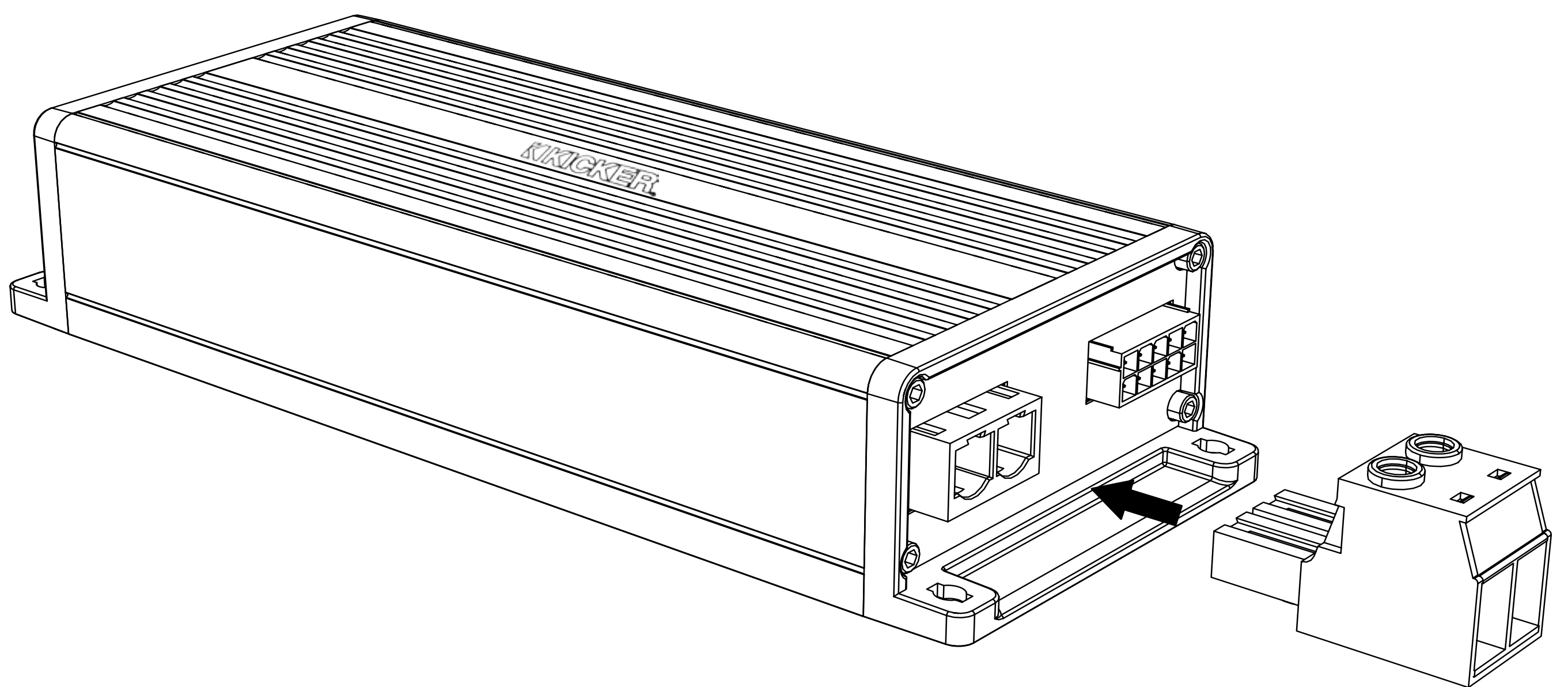
KICKER le ofrece una garantía de tres años con todas las compras de amplificadores de la Serie KPX junto con un Kit de Instalación KICKER elegible*.

Esto extiende la garantía estándar un año más. *El amplificador y el kit deben adquirirse con un **Distribuidor autorizado KICKER**.*

El uso de cableado de baja calidad con características inferiores a las especificadas impedirá el desempeño del amplificador KPX. Un kit de instalación KICKER de calidad superior garantiza una vida útil más larga para los amplificadores KPX.

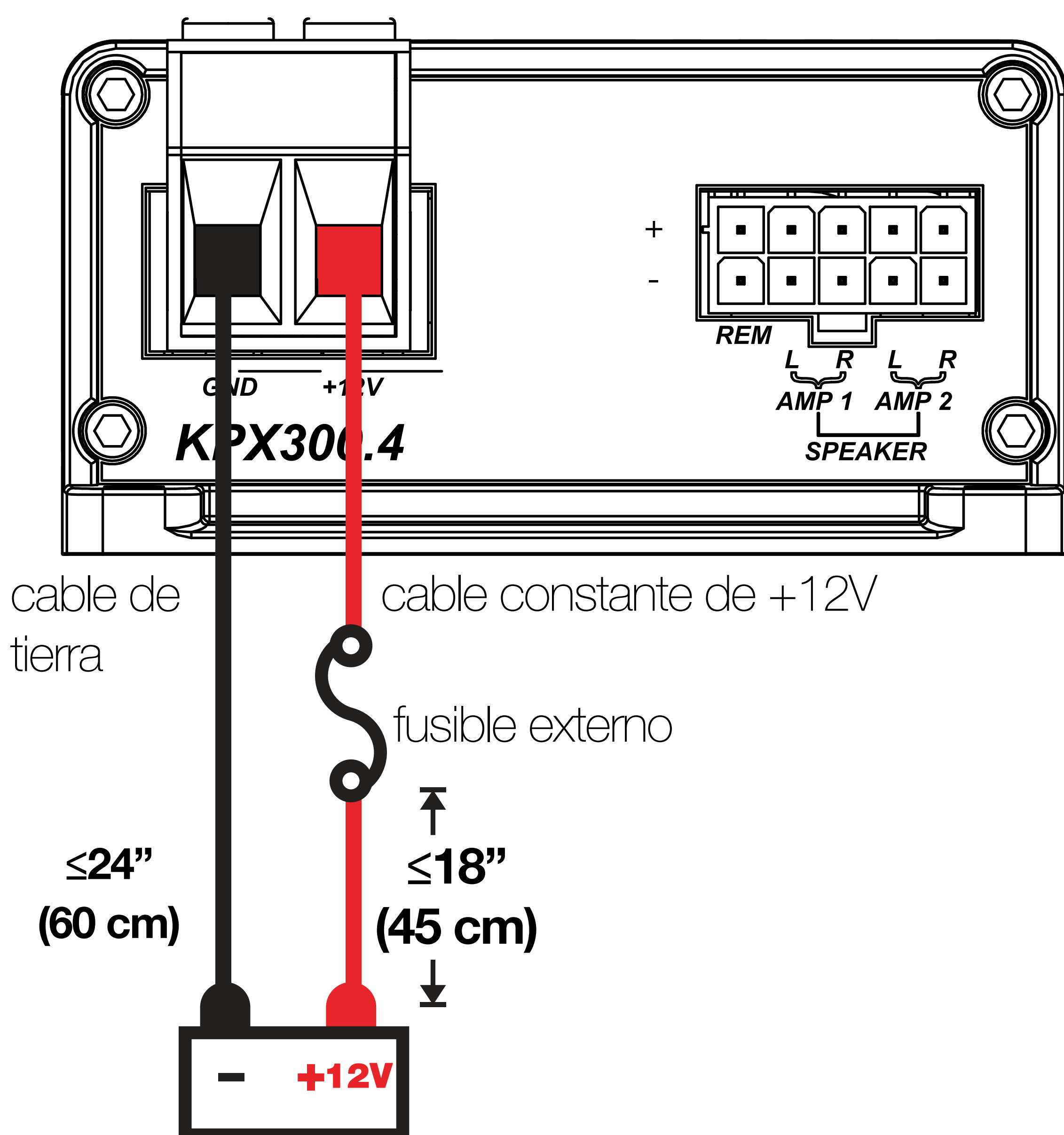
La nueva garantía extendida aplica solo para amplificadores y accesorios KICKER vendidos a consumidores por Distribuidores autorizados KICKER en los Estados Unidos de América o en sus posesiones. Asimismo solo aplica al comprador original de amplificadores y accesorios KICKER. Se autoriza una extensión de la garantía por amplificador independientemente del número de kits de instalación de amplificadores adquiridos. Este programa no aplica para productos de segunda mano o productos restaurados de fábrica. Esta oferta es por tiempo limitado, así que acuda lo antes posible con el Distribuidor autorizado KICKER para conocer los detalles.

***U.S.A. Only | EE.UU. solamente | Nur USA | Les USA Seulement**

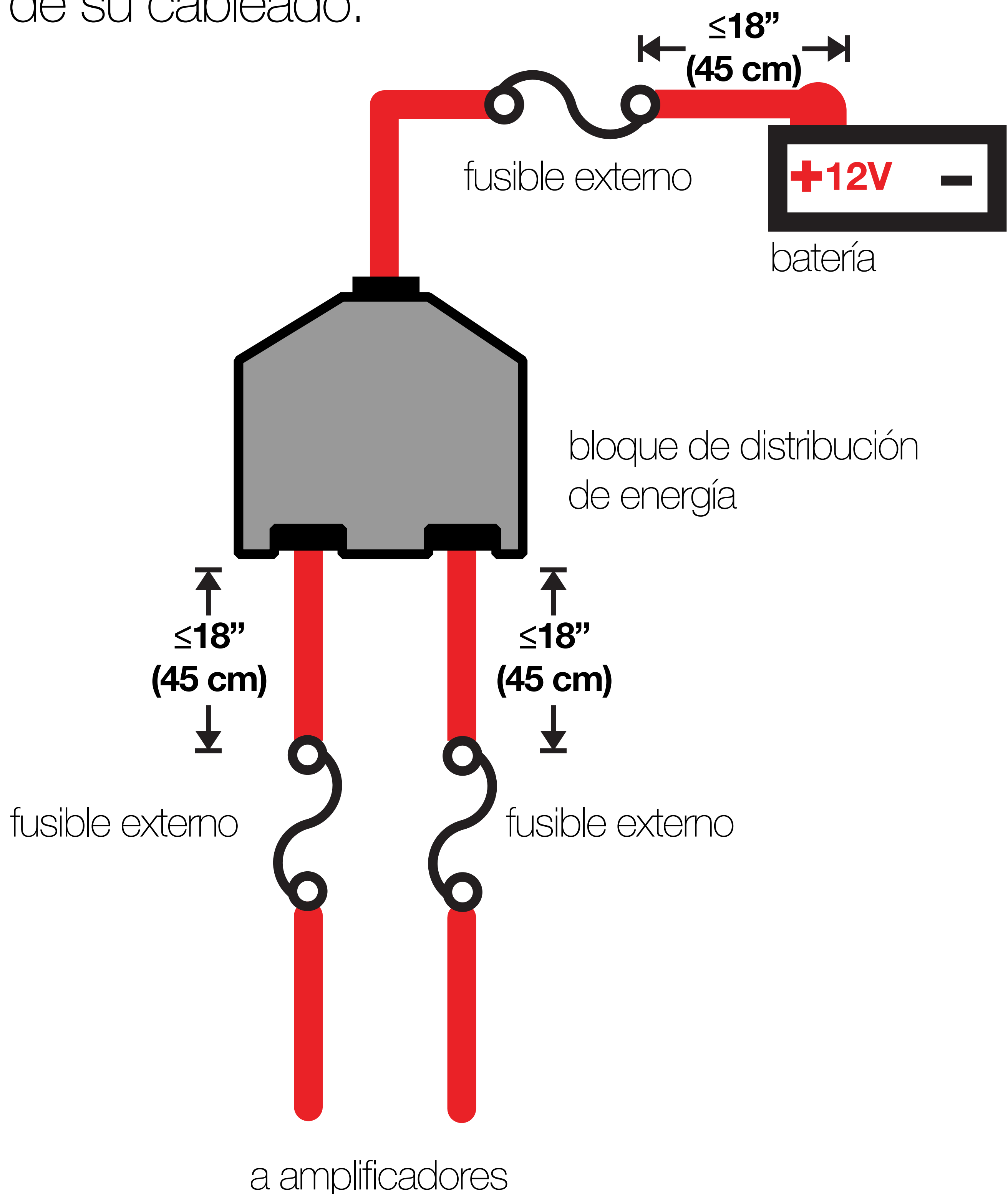


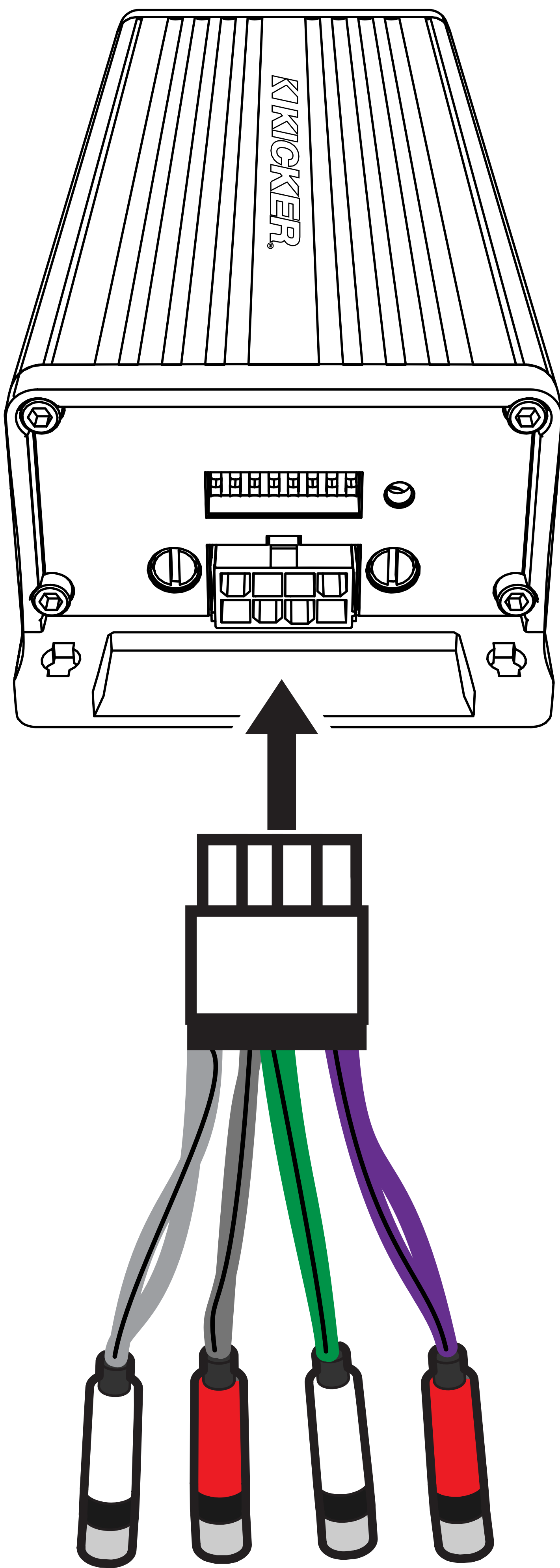
Para comenzar, instale el adaptador de terminal de alimentación y tierra KPX. Desconecte la batería del vehículo para evitar un cortocircuito. Una buena conexión a tierra es importante. Si el KPX se instala en el alerón delantero de una motocicleta, será mejor extender el cable de tierra hasta la batería. Recorte el cable de tierra a 24" (60 cm) o menos y, si no está conectado a la batería, conéctelo a un área metálica, sólida, sin pintura ni corrosión de la carrocería del vehículo. Se recomienda agregar un cable de tierra adicional de esta misma

medida (o más largo) entre el polo negativo de la batería y la carrocería del vehículo. Mantenga el cable de señal de audio lejos de cableados eléctricos de fábrica y otros cableados de alimentación. Si necesita cruzar este cable, hágalo en un ángulo de 90 grados. Instale un fusible en el cable constante azul de +12V. La instalación del fusible debe realizarse lo más cerca posible a la batería, a una distancia no mayor a 18" (45 cm) de la batería y en línea con el cable de alimentación del arnés, que se conecta a su amplificador KPX. Asegúrese que el cable de alimentación se enrute de forma tal que no se dañe, preñe o presente un cortocircuito. Si en algún momento necesita retirar el amplificador del vehículo después de haberlo instalado, el cable de tierra debe ser el último en ser desconectado del amplificador, lo opuesto a cuando se instala.



Para instalaciones de múltiples amplificadores donde se utilizan bloques de distribución, cada amplificador debe tener su propio fusible o disyuntor con la clasificación apropiada, instalado entre el amplificador y el bloque de distribución a una distancia no mayor a 18 pulgadas del bloque, o en el bloque de distribución si este provee de fusibles. El cable principal de alimentación debe también tener fusibles entre la batería y el bloque de distribución a no más de 18 pulgadas de la terminal positiva de la batería, con un fusible o disyuntor con clasificación de al menos la suma de los valores individuales del fusible del amplificador, pero que no exceda la capacidad de su cableado.

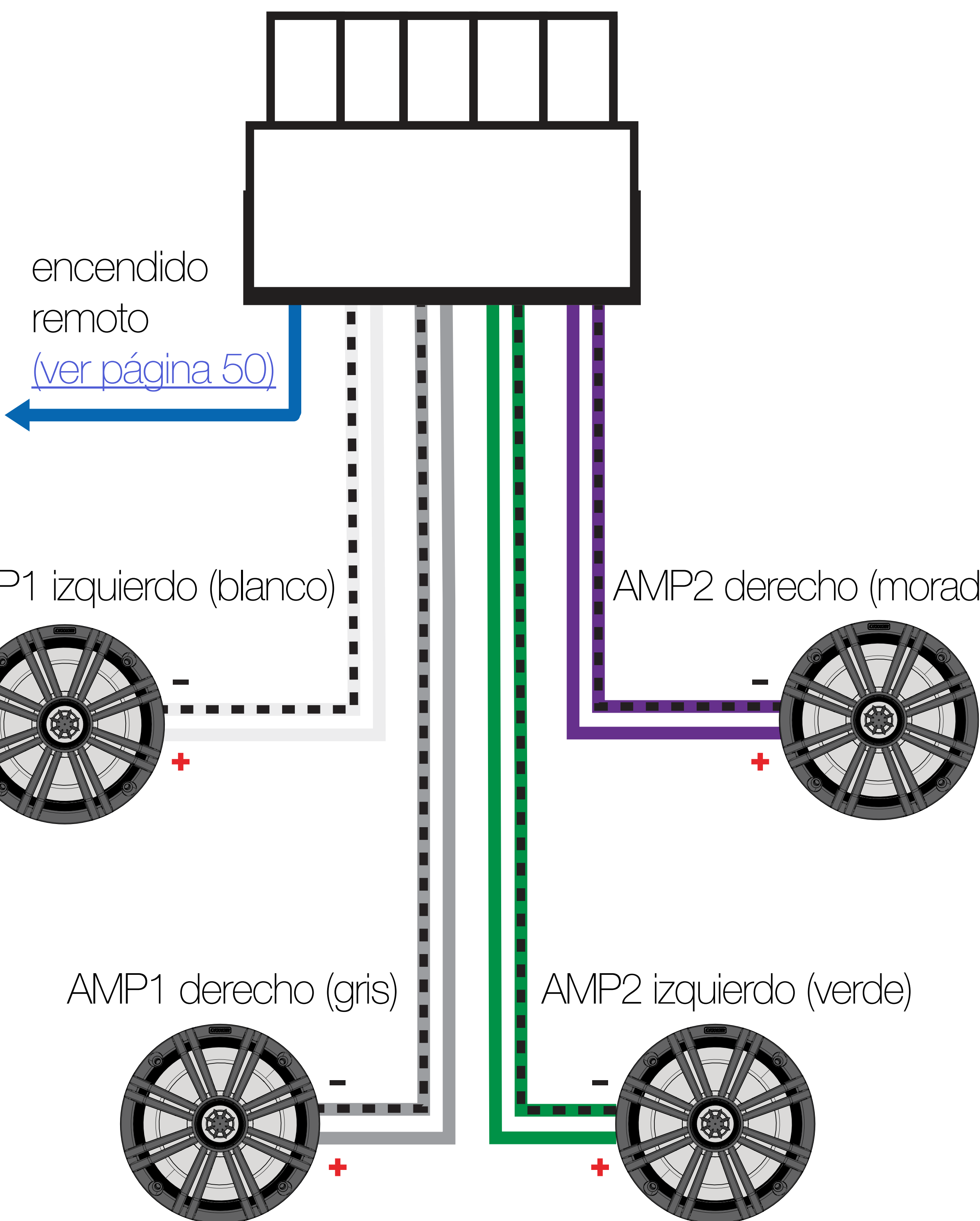
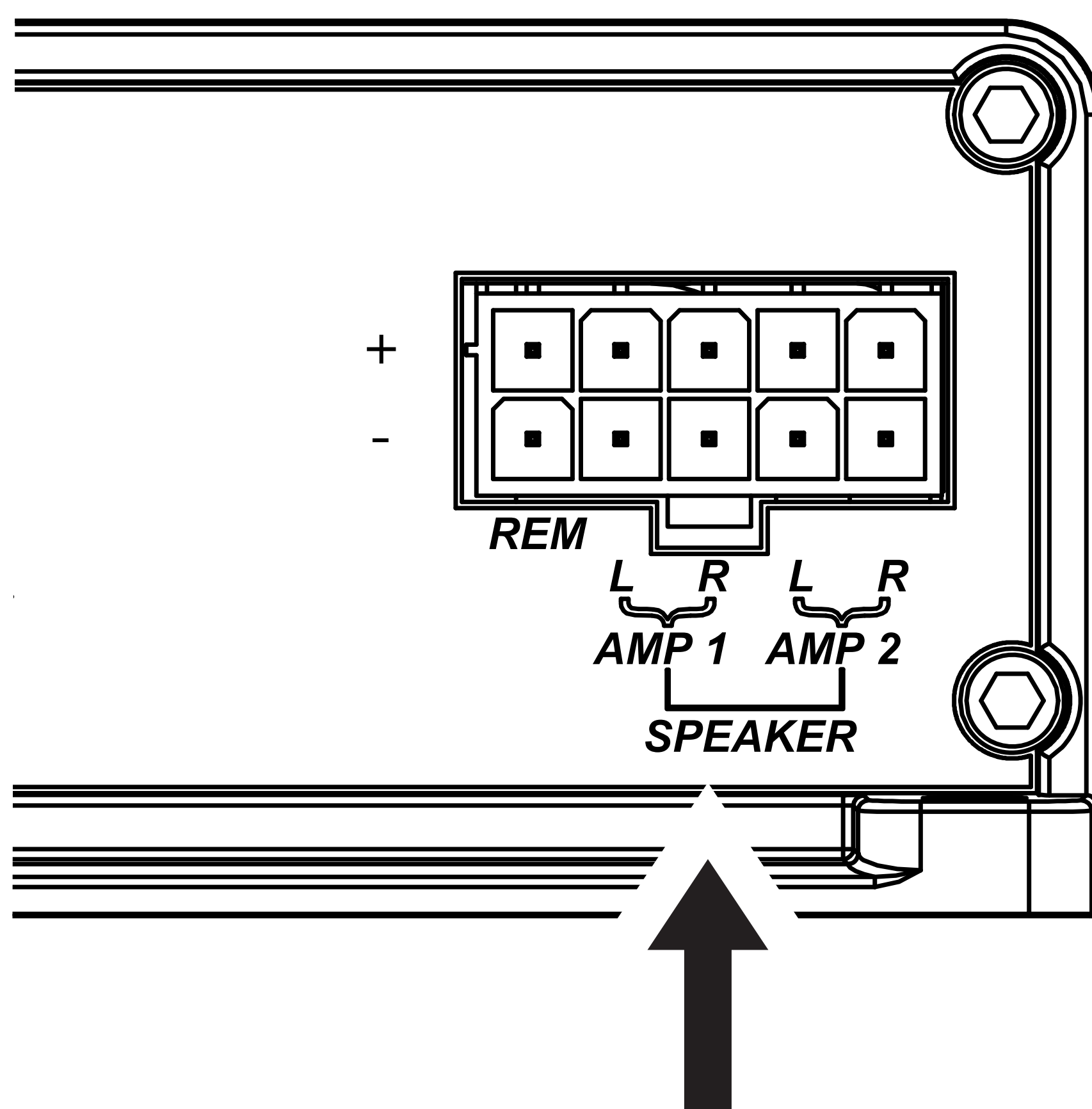




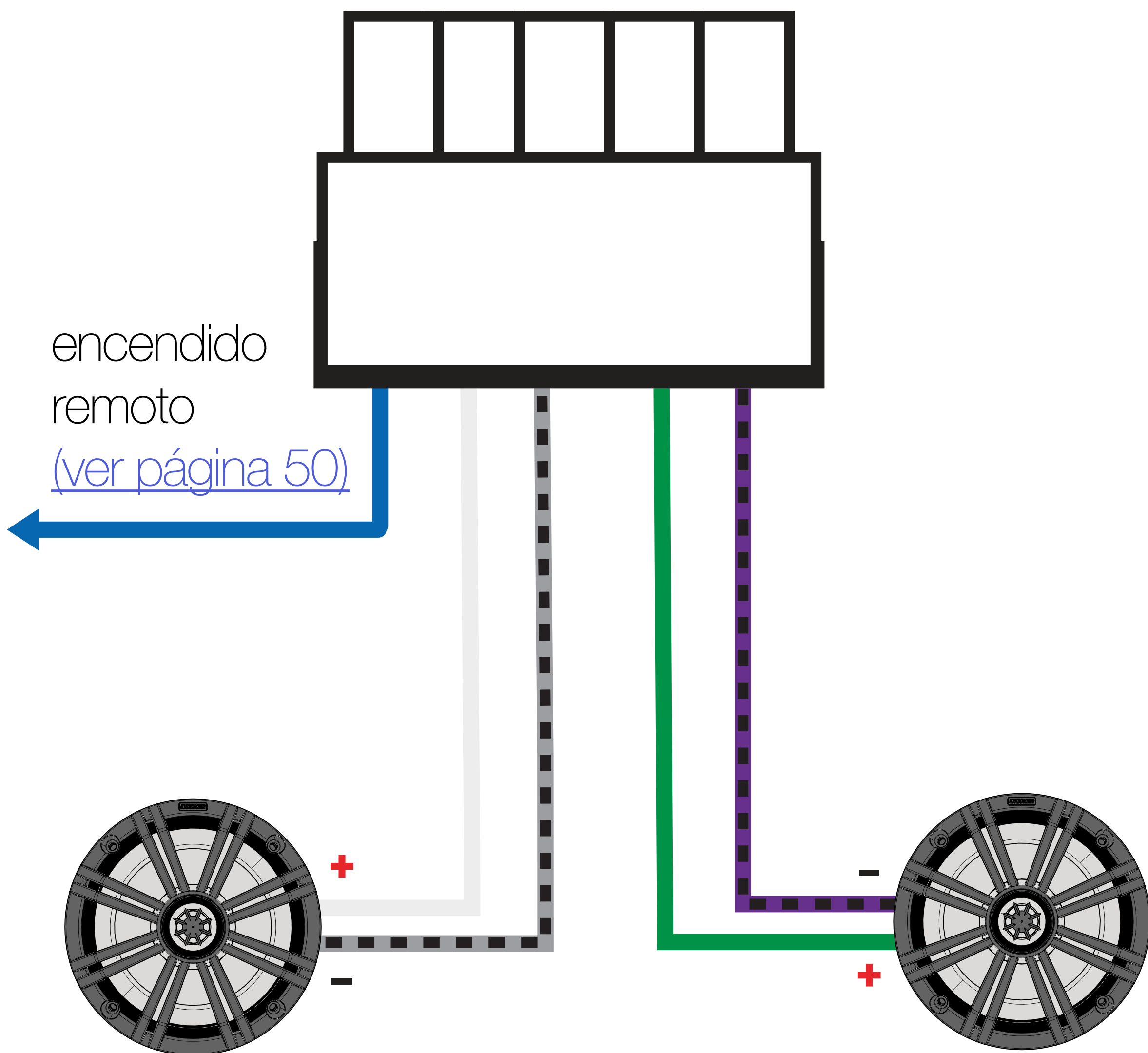
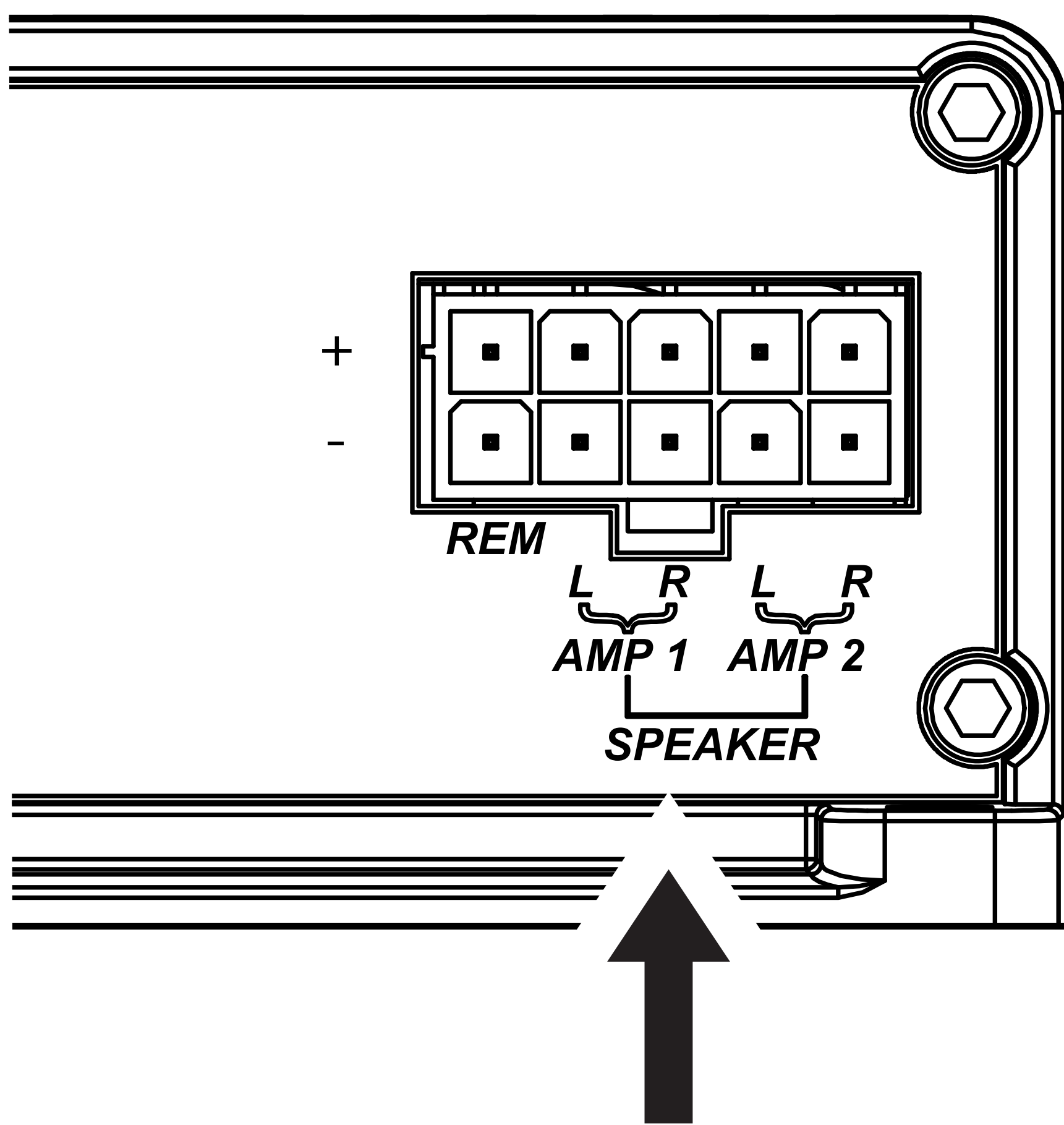
Si es necesario, desconecte las conexiones RCA para usar la entrada de nivel alto, o use el [Convertidor de salida de altavoz a RCA KISL de KICKER.](#)

Cableado del altavoz

(Operación de 4 canales)



(Operación en modo puente)



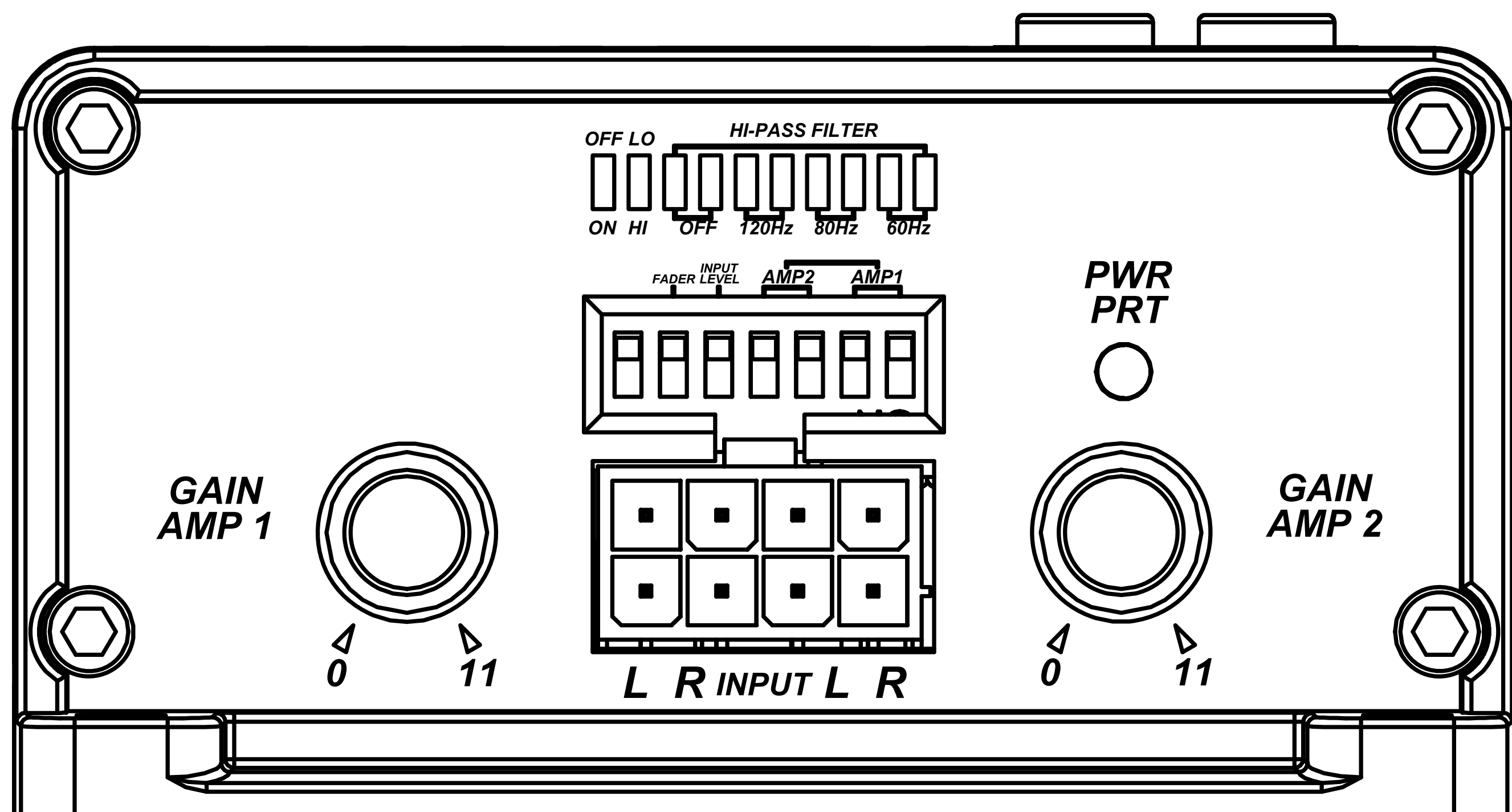
AMP1 izquierdo (blanco) positivo
AMP1 derecho (gris) negativo

AMP2 izquierdo (verde) positivo
AMP2 derecho (morado) negativo

Puede usar una combinación de operación estéreo y en puente (p. ej. AMP1 izquierdo y derecho, y AMP2 Mono en modo puente)

Funcionamiento

IMPORTANTE: El primer interruptor no tiene función. ¡Nunca cambie los interruptores cuando el sistema de audio está encendido!



Encendido automático: La serie KPX ofrece dos modos diferentes de encendido automático; +12V y Compensación de CC.

- Encendido remoto: Instale el cable de calibre 18 del conductor de encendido remoto en su unidad fuente al cable azul REM en el arnés de cableado del amplificador KPX.
- Encendido de modo de compensación de CC: El modo Compensación de CC detecta una compensación de CC >2.5 V en las salidas del altavoz de nivel superior cuando se enciende la unidad fuente.

Controles de ganancia de entrada: El control de ganancia de entrada no es un control de volumen. Hace coincidir la salida de la unidad fuente al nivel de entrada del amplificador. Es posible obtener la máxima potencia del amplificador con la ganancia en su posición más baja. Ajustar la ganancia de

forma incorrecta puede provocar una salida distorsionada o el daño y falla prematura de sus altavoces.

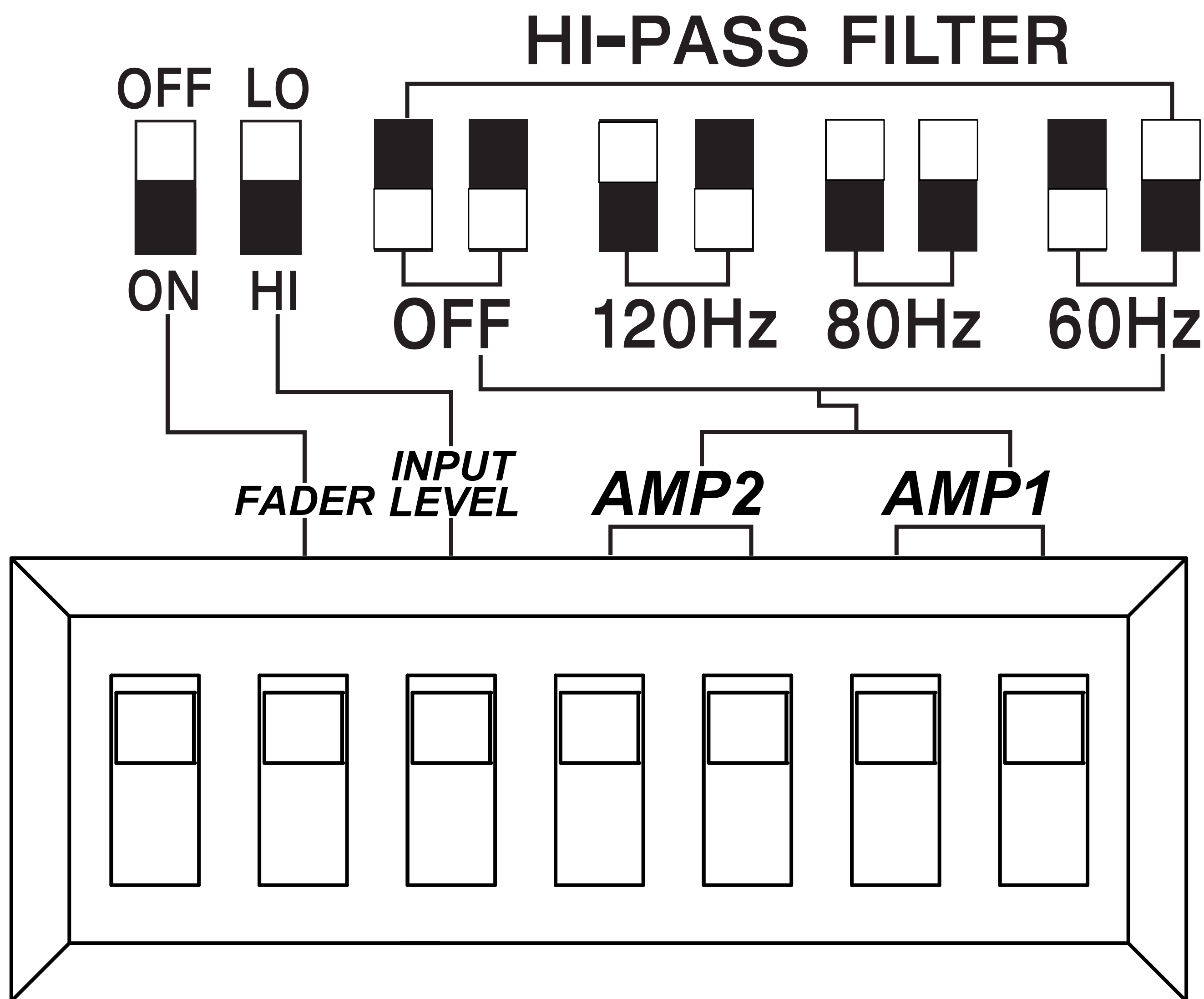
Para una configuración rápida, encienda la unidad fuente a 3/4 de volumen (si la unidad fuente sube hasta 30, enciéndala a 25). Gire lentamente (a la derecha) la ganancia en el amplificador hasta que pueda escuchar distorsión audible, después bájela un poco.

Para utilizar el método preferido de configuración de ganancia de entrada mediante un voltímetro o un osciloscopio, comience apagando el amplificador y desconectando los amplificadores de este. Gire completamente la perilla de ganancia para desactivarla (hacia la izquierda) así como todos los crossovers, o a su nivel menos efectivo. Si se conecta un accesorio de bajos remoto al amplificador, enciéndalo completamente (hacia la derecha). Asegúrese que todos los ajustes de EQ y DSP en la unidad fuente como bajo, agudo, atenuación, posición de conducción etc., estén ajustados en lineal, plano, central o apagado. Encienda el amplificador. Reproduzca una onda senoidal de 0dB a través de la unidad fuente e incremente el volumen a alrededor de 3/4 del límite máximo. Las pistas de onda senoidal pueden descargarse sin costo desde KICKER.com en la pestaña de "Soporte". Use la onda

senoidal de 50Hz para configurar la ganancia para un subwoofer y la onda senoidal de 1kHz para altavoces de largo alcance. Configure su voltímetro u osciloscopio para medir el voltaje de CA.

Coloque los sensores del voltímetro en las terminales de salida del altavoz del amplificador. Mientras se reproduce la onda senoidal, gire lentamente el botón de ganancia a la derecha y observe el voltaje de CA incrementar en el voltímetro.

Cuando se muestre el voltaje deseado (consulte la [tabla de potencia en KICKER.com](http://www.kicker.com)), o comience a ver que la forma de onda se cuadra, suspenda el incremento de ganancia, apague el amplificador, conecte nuevamente todos los altavoces y configure los crossovers a su ajuste deseado. Ahora su ganancia está configurada para la potencia máxima sin recorte desde el amplificador. Si incrementa la amplitud usando los ajustes en la unidad fuente o en el refuerzo de graves del amplificador, la distorsión aparecerá y será necesario que realice estos pasos nuevamente.



Regulador: Encienda el regulador si está conectando dos series de entradas (frontal y trasera, por ejemplo) al amplificador. Deje el regulador en OFF si desea controlar todos los canales desde una sola entrada estéreo.

Nivel de entrada: Seleccione si desea recibir una señal de nivel ALTO o BAJO desde su unidad fuente.

PASO ALTO: Utilice los interruptores de PASO ALTO del amplificador para configurar el crossover interno. Seleccione un corte de 60Hz, 80Hz, 120Hz o APAGADO dependiendo de la configuración de los interruptores.

Resolución de problemas

Si parece que su amplificador no funciona, revise las posibilidades obvias primero, como fusibles fundidos, conexiones del cableado incorrectas o deficientes, configuración incorrecta del interruptor del crossover y de los controles de ganancia, etc. Hay LED de Alimentación (PWR) y Protección (PRT) en el panel lateral de su amplificador de la serie KPX de KICKER. Dependiendo del estado del amplificador y del sistema de carga del vehículo, los LED se iluminarán en verde o en rojo. Cuando el LED se ilumina en verde, esto indica que el amplificador está encendido y que no hay ningún problema.

¿El LED verde está apagado y no hay salida? Con un multímetro (VOM) revise lo siguiente: Terminal de voltaje de alimentación +12 (debe tener una lectura de +12V a +16V) Terminal de encendido remoto (debe tener una lectura de +12V a +16V) Revise la potencia inversa y las conexiones a tierra Terminal a tierra para la conductividad apropiada.

¿El LED verde está encendido y no hay salida? Verifique lo siguiente: Conexiones RCA Pruebe las salidas del altavoz con un altavoz que esté seguro que funciona. Sustituya la unidad fuente con una unidad fuente que esté seguro que funciona. Revise si hay señal en el cable RCA que alimenta al amplificador con el multímetro configurado para medir voltaje de "CA".

¿El LED rojo (PRT) parpadea con música en alto volumen? El LED rojo (PRT) indica bajo voltaje de la batería. Revise todas las conexiones en el sistema de carga de su vehículo. Tal vez sea necesario reemplazar o cargar la batería de su vehículo o reemplazar el alternador de su vehículo.

¿El LED rojo (PRT) está encendido y no hay salida? El amplificador está muy caliente = la protección térmica está activada. Pruebe la impedancia apropiada en las terminales del altavoz con un multímetro (consulte los diagramas en este manual para conocer la impedancia mínima recomendada y sugerencias sobre cableado para múltiples altavoces). Revise también si existe el flujo de aire adecuado alrededor del amplificador. El amplificador se apaga solo mientras el vehículo está en marcha = el circuito de protección de voltaje está activado El voltaje hacia el amplificador no se encuentra dentro del rango de voltaje de operación de entre 6 y 16. Lleve a revisar el sistema de carga y eléctrico del vehículo. El amplificador solo reproducirá en niveles de volumen bajos = protección contra cortocircuito está activada. Revise si existe un cortocircuito entre los cables del altavoz o con la carrocería del vehículo. Revise si los altavoces están dañados o si su operación está por debajo de la impedancia mínima recomendada.

¿No hay salida o es muy baja? Revise los controles de balance y atenuación en la unidad fuente. Revise las conexiones del RCA (o de la entrada del altavoz) y de la salida del altavoz. Si usa una señal de bajo nivel, asegúrese de que la detección de radio esté desactivada. Revise el nivel del volumen en su unidad fuente, para incluir el nivel de volumen de todos los teléfonos o reproductores de MP3 conectados.

¿Sonido parecido a un chirrido en el alternador con el RPM del motor? Verifique si existen daños en el cable RCA (o de la entrada del altavoz) Verifique el enrutamiento del cable RCA (o de la entrada del altavoz) Compruebe si la unidad fuente tiene la conexión a tierra apropiada Revise las configuraciones de ganancia y redúzcalas si están configuradas demasiado alto.

PRECAUCIÓN: cuando ponga en marcha el vehículo, asegúrese que las conexiones realizadas con los cables de arranque estén correctas. Conexiones inadecuadas pueden provocar que los fusibles del amplificador se fundan así como la falla en otros sistemas críticos en el vehículo.

Si tiene más preguntas sobre la instalación u operación de su nuevo producto KICKER, consulte al Vendedor autorizado KICKER cuando realice la compra. Para mayor asesoramiento sobre la instalación, presione la pestaña de SOPORTE en la página de inicio de KICKER, **www.KICKER.com**. Seleccione la pestaña SOPORTE TÉCNICO, elija el tema que le interese y después descargue o revise la información correspondiente. Envíe un correo electrónico a support@KICKER.com o llame a Servicio Técnico al (405) 624-8583 si tiene preguntas específicas o sin respuesta.

Contenu

Présentation	56
Spécifications	57

KPX Mono

Installation	58
Montage	58
Câblage	59
Utilisation	63
Dépannage	68

KPX 4-CH

Installation	69
Montage	69
Câblage électrique	70
Câblage du haut-parleur	74
Utilisation	76
Dépannage	80
Garantía Garantie	108

Présentation

IMPORTANTE MISE EN GARDE POUR LA SÉCURITÉ

UNE UTILISATION CONTINUE ET PROLONGÉE D'UN AMPLIFICATEUR, D'UN HAUT-PARLEUR OU D'UN CAISSON DE GRAVES AVEC UN SON DISTORDU, ÉCRÊTÉ OU EXCESSIF PEUT FAIRE SURCHAUFFER VOTRE SYSTÈME AUDIO, QUI RISQUE DE PRENDRE FEU ET DE CAUSER DE SÉRIEUX DÉGÂTS À VOS COMPOSANTS ET/OU VOTRE VÉHICULE. LES AMPLIFICATEURS REQUIÈRENT UN ÉVENT D'AÉRATION JUSQU'À 10 CM (4 POUCES). LES CAISSONS DE GRAVES DOIVENT ÊTRE MONTÉS AVEC AU MOINS 2,5 CM (1 POUCE) D'ÉCART ENTRE L'AVANT DU HAUT-PARLEUR ET TOUTE SURFACE. LES PRODUITS KICKER SONT CAPABLES DE PRODUIRE DES NIVEAUX SONORES POUVANT ENDOMMAGER VOTRE AUDITION DE MANIÈRE IRRÉVERSIBLE ! LE RÉGLAGE D'UN SYSTÈME À UN NIVEAU PRODUISANT UNE DISTORSION AUDIBLE ENDOMMAGE DAVANTAGE L'AUDITION QUE L'ÉCOUTE D'UN SYSTÈME SANS DISTORSION AU MÊME VOLUME. LE SEUIL DE LA DOULEUR INDIQUE TOUJOURS QUE LE NIVEAU SONORE EST TROP ÉLEVÉ ET POURRAIT ENDOMMAGER VOTRE AUDITION DE MANIÈRE IRRÉVERSIBLE. VEUILLEZ RÉGLER LE VOLUME SONORE EN FAISANT PREUVE DE BON SENS.

Les amplificateurs de la série KPX ont été conçus pour fonctionner dans les conditions extrêmes des applications audio extérieures et des sports motorisés, pour traiter des quantités massives de puissances et pour une efficacité de pointe, ce qui les rend idéaux pour les systèmes de charge moins robustes. Utilisez-les avec n'importe quel produit KICKER, les haut-parleurs pour les sports motorisés, les haut-parleurs à spectre intégral ou encore les haut-parleurs classiques du marché d'après-vente de KICKER. Et ne vous laissez pas tromper par sa petite taille, cet amplificateur résistant aux intempéries envoie du lourd.

Spécifications

Modèle :	KPX500.1	KPX300.4
Puissance dynamique	750 W	350 W
Puissance de sortie RMS		
@ 14,4 V, 4 Ω stéréo, \leq 1 % THD+N		45 W X 4
@ 14,4 V, 2 Ω stéréo, \leq 1 % THD+N		75 W X 4
@ 14,4 V, 4 Ω mono, \leq 1 % THD+N	150 W X 1	150 W X 2
@ 14,4 V, 2 Ω mono, \leq 1 % THD+N	300 W x 1	
@ 14,4 V, 1 Ω mono, \leq 1 % THD+N	500 W x 1	
Réponse en fréquence [Hz]	10 Hz – 160 Hz	20 Hz – 20 kHz
Filtre électronique sélectionnable	24 dB/octave, variable Passe-bas 40–160 Hz	12 dB/octave Passe-haut 60/80/120 Hz
Amplification des basses KickEQ™	Amplification des basses sélectionnable 0/+6 db @ 40 Hz	S/O
Interrupteur marche/arrêt du fader	S/O	Oui
Filtre subsonique	24 dB/octave, variable Passe-haut 10–40 Hz	S/O
Télécommande du niveau des basses	Oui, CXARC (non incluse)	S/O
Longueur [po, cm]	8 1/2, 21,7	8 1/2, 21,7
Hauteur [po, cm]	1 11/16, 4,3	1 11/16, 4,3
Largeur [po, cm]	3 5/8, 9,2	3 5/16, 8,4
Rapport signal/bruit [dB]	>90 dB, pondéré A, re : puissance nominale	
Rapport signal/bruit [dB]	>75 dB (réf : 1 W en sortie)	
Sensibilité d'entrée	Niveau bas : 125 mV–5 V Niveau élevé : 1 V–40 V	

Remarque : toutes les spécifications et valeurs de performance sont sujettes à modification. Veuillez vous rendre sur **www.kicker.com** pour les informations les plus récentes. Pour tirer les meilleures performances de votre nouvel amplificateur KICKER, nous vous recommandons d'utiliser des haut-parleurs, des accessoires et du câblage KICKER authentiques.

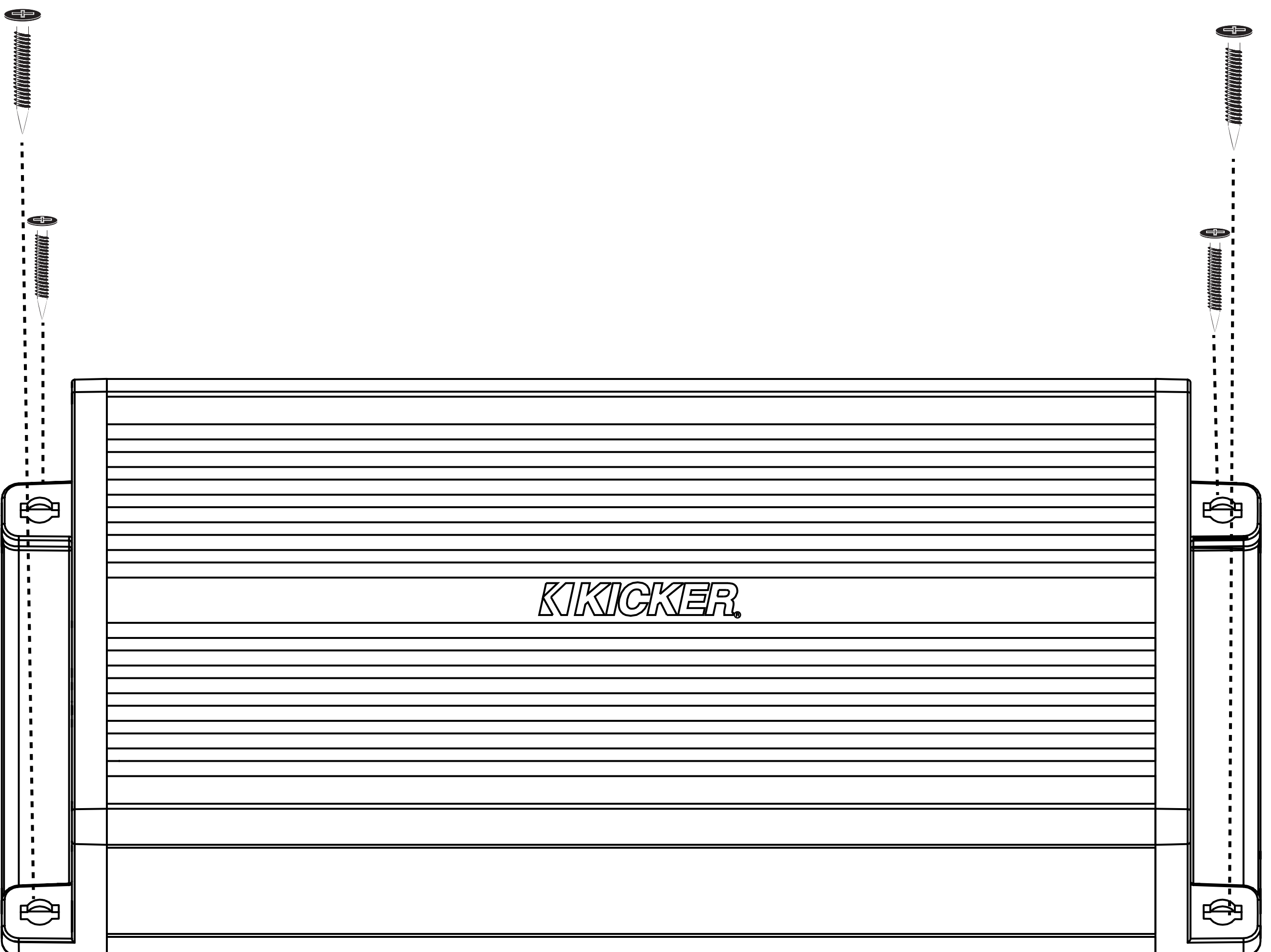
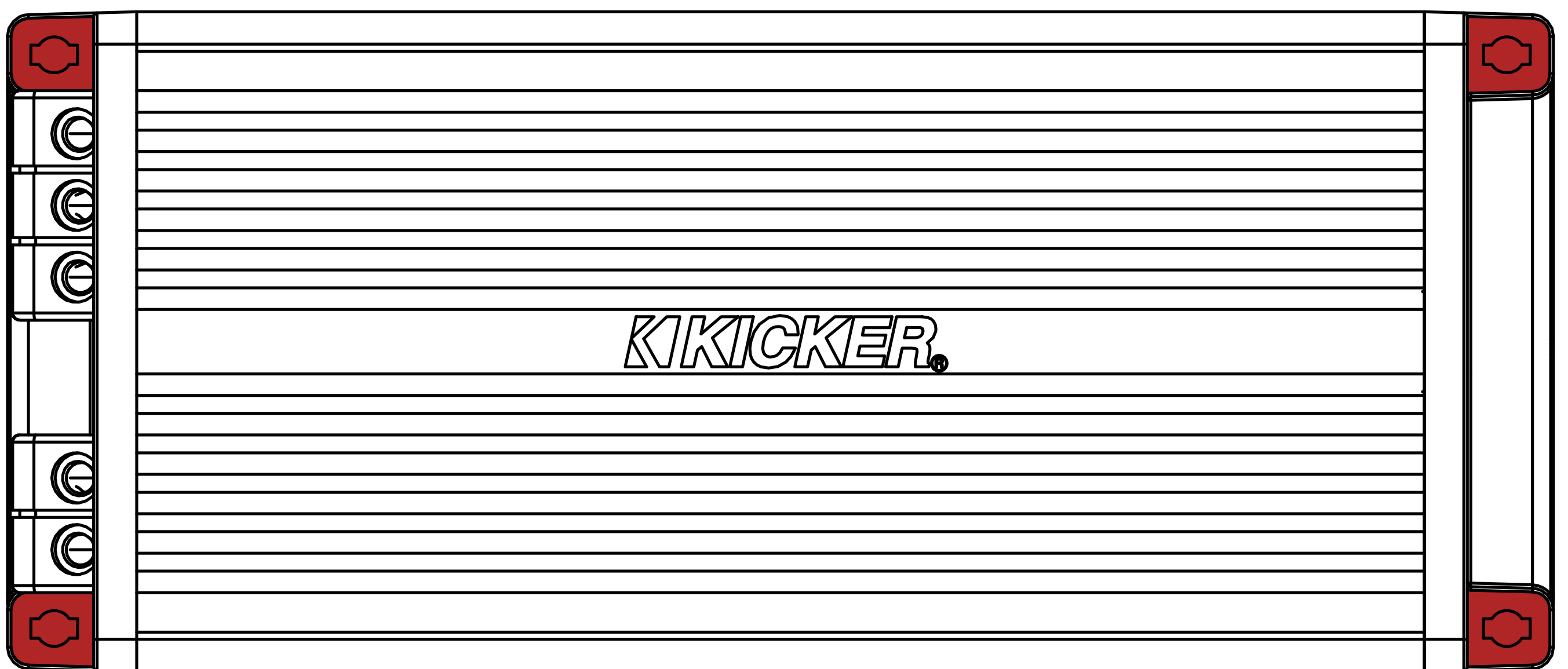
Astuce de pro : il ne vous manque plus que des haut-parleurs [PowerSports](#) et [quelques câbles](#) pour bénéficier d'une mise à niveau audio qui surpassera tout système d'origine ! Avec les amplificateurs KICKER, il devient facile de doter votre source d'origine ou existante de basses surpuissantes. Demandez à votre distributeur de vous parler des améliorations KICKER.

KPX500.1

Installation

Montage

Choisissez un emplacement structurellement solide pour monter votre amplificateur KICKER. Assurez-vous qu'il n'y a aucun élément derrière la zone de mise en place des vis. Choisissez un emplacement qui offre un espace libre d'au moins 4 po (10 cm) pour la ventilation de l'amplificateur. Percez quatre trous à l'aide d'une mèche de 7/64 po (3 mm) et utilisez les vis n° 8 fournies pour monter l'amplificateur.



Câblage

[Cliquez ici pour obtenir les kits d'installation de l'amplificateur](#)

Modèle	Fusible externe (vendu séparément)	Fil d'alimentation/de terre	Kit de câblage KICKER
KPX500.1	1 x 60 ampères	Calibre 8	KMPK8, PK8, CK8

KICKER offrira une garantie de trois ans pour tout achat d'amplificateur de la gamme KPX associé à un kit d'installation KICKER éligible*.

Cela prolonge la garantie standard d'une année supplémentaire. *L'amplificateur et le kit doivent être achetés auprès d'un **revendeur KICKER agréé**.*

L'utilisation de kits de câblage de mauvaise qualité et de spécifications inférieures nuira aux performances de l'amplificateur KPX. Un kit d'installation KICKER de qualité supérieure garantit une plus longue durée de vie des amplificateurs KPX.

La nouvelle extension de garantie s'applique uniquement aux amplificateurs et accessoires KICKER vendus aux consommateurs par des revendeurs KICKER agréés aux États-Unis d'Amérique ou dans les territoires associés. En outre, elle s'applique uniquement à l'acheteur initial des amplificateurs et accessoires KICKER. Une extension de garantie par amplificateur est autorisée quel que soit le nombre de kits d'installation d'amplificateur achetés. Ce programme ne s'applique pas aux produits en stock « B » ni aux produits remis à neuf en usine.

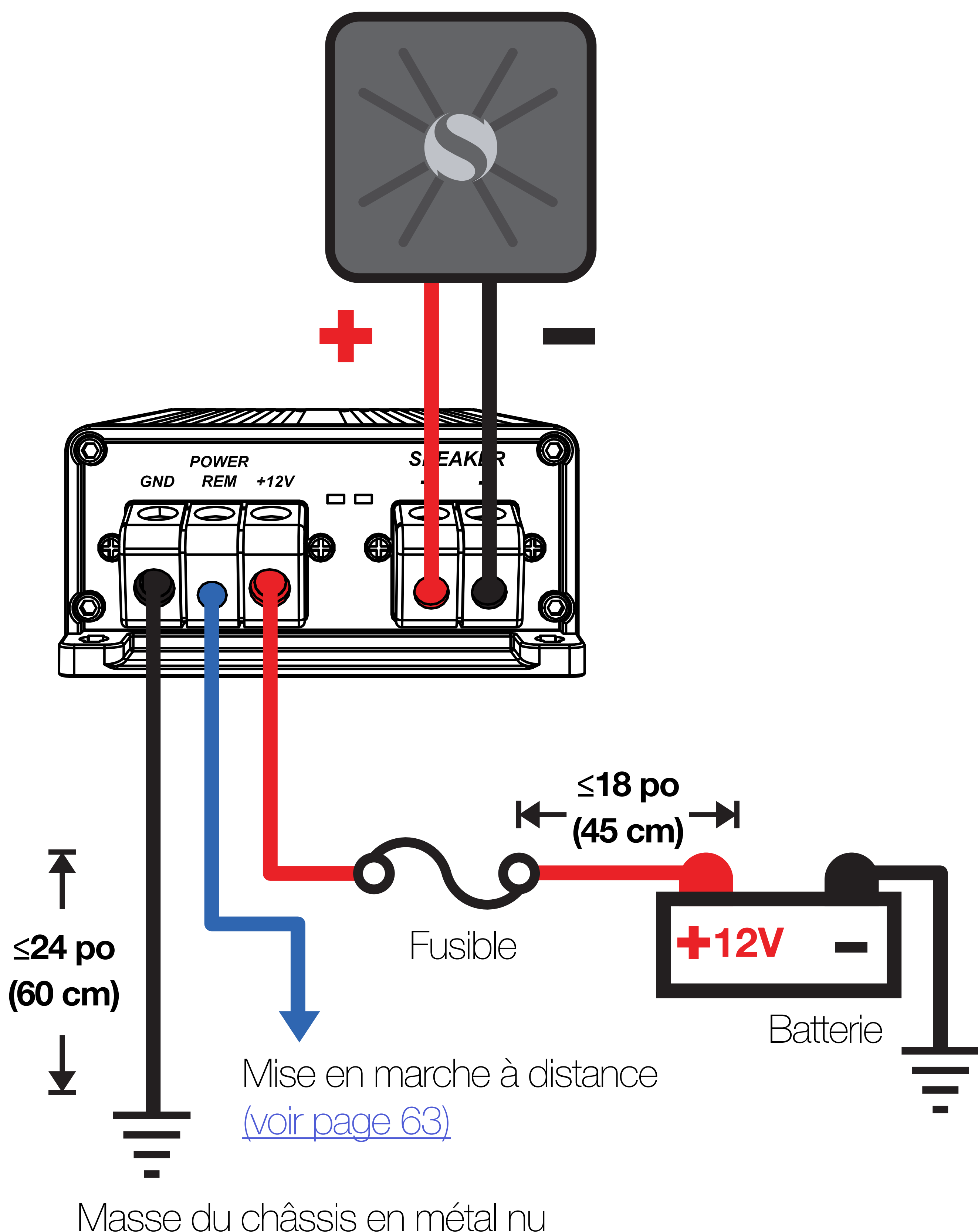
La durée de cette offre est limitée, donc adressez-vous dès que possible à votre revendeur KICKER agréé local pour plus de détails.

***U.S.A. Only | EE.UU. solamente | Nur USA | États-Unis uniquement**

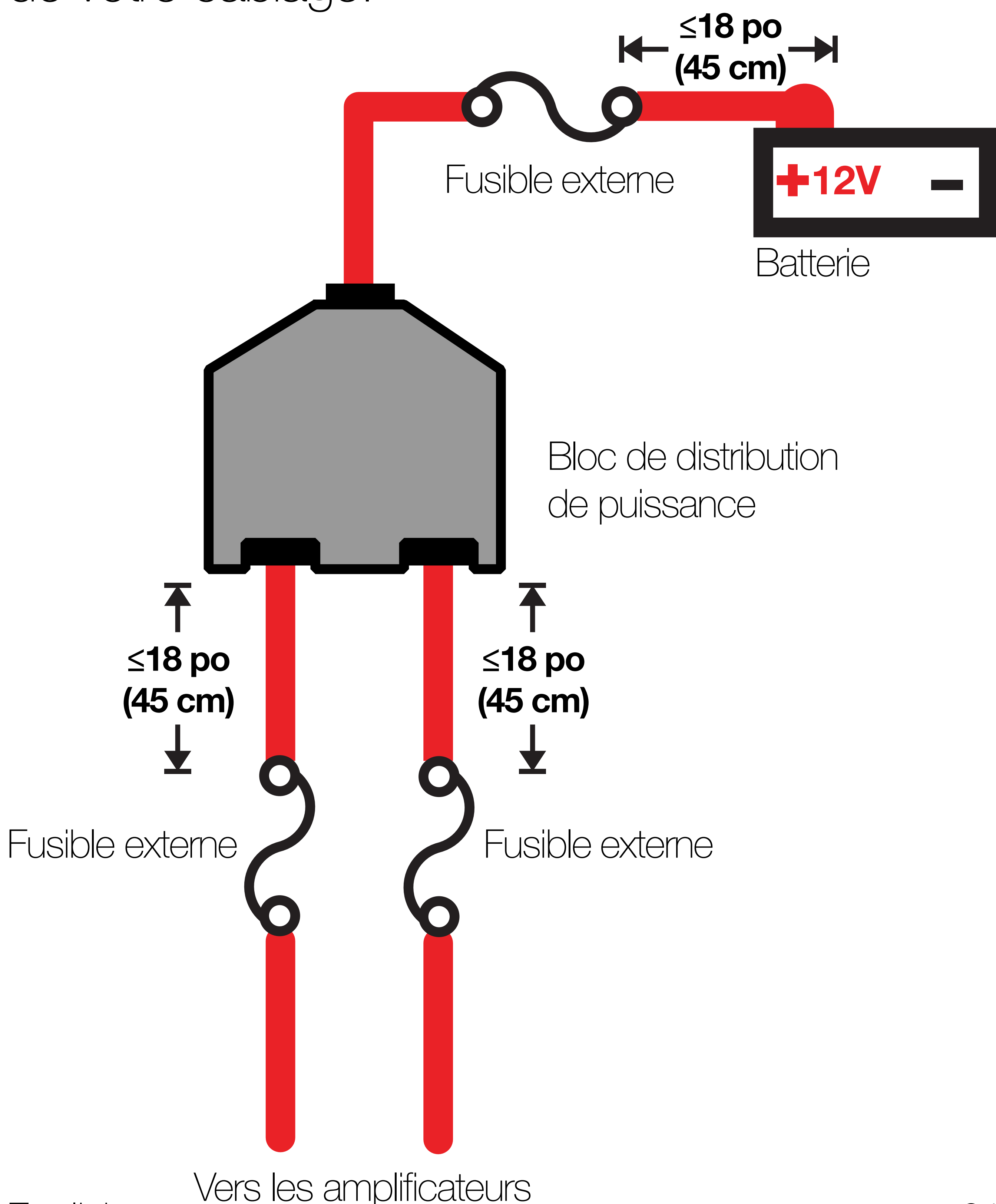
Débranchez la batterie du véhicule pour éviter un court-circuit. Une bonne connexion à la terre est importante. Si le KPX est installé sur le carénage avant d'une moto, il sera préférable de prolonger le fil de terre jusqu'à la batterie. Faites en sorte que le fil de terre soit court, 24 po (60 cm) ou moins, et, s'il n'est pas relié à la batterie, connectez-le à une zone métallique solide, sans peinture ni corrosion, du châssis du véhicule. Il est recommandé d'ajouter un fil de terre supplémentaire de ce même calibre (ou plus fort) entre la borne négative de la batterie et le châssis du véhicule. Placez le câble de signal audio à l'écart des faisceaux de câbles d'usine et des autres câbles d'alimentation. Si vous avez besoin de croiser ce câblage, croisez-le à un

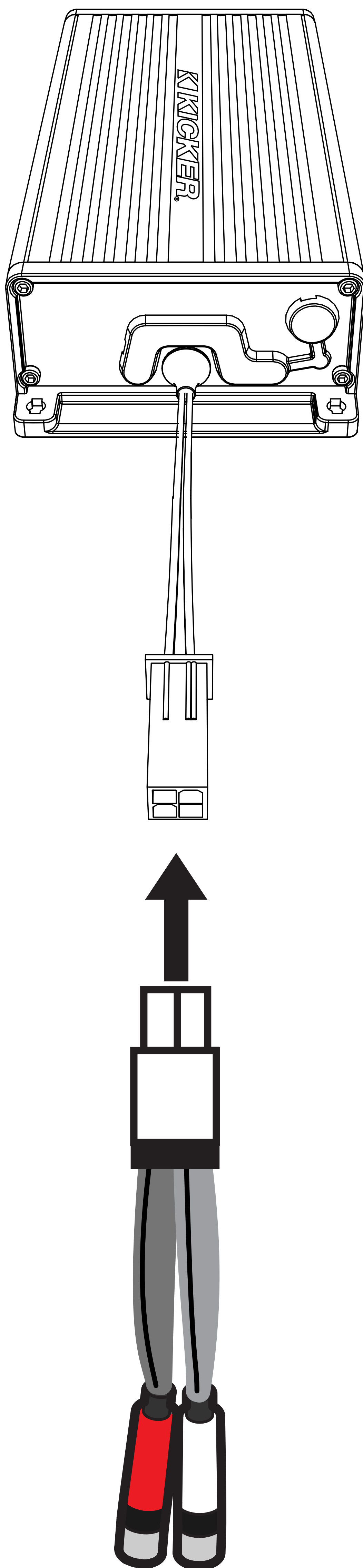


angle de 90 degrés. Installez un fusible à la broche continue bleue +12 V. Le fusible doit être installé le plus près possible et à moins de 18 po (45 cm) de la batterie et en ligne avec le faisceau du fil d'alimentation, qui est connecté à votre amplificateur KPX. Assurez-vous que le fil d'alimentation soit acheminé de sorte qu'il ne soit pas endommagé, ondulé ou court-circuité. Si jamais vous avez besoin de retirer l'amplificateur du véhicule après son installation, le fil de terre doit être le dernier fil déconnecté de l'amplificateur, c'est-à-dire le contraire de la façon dont vous l'avez installé.



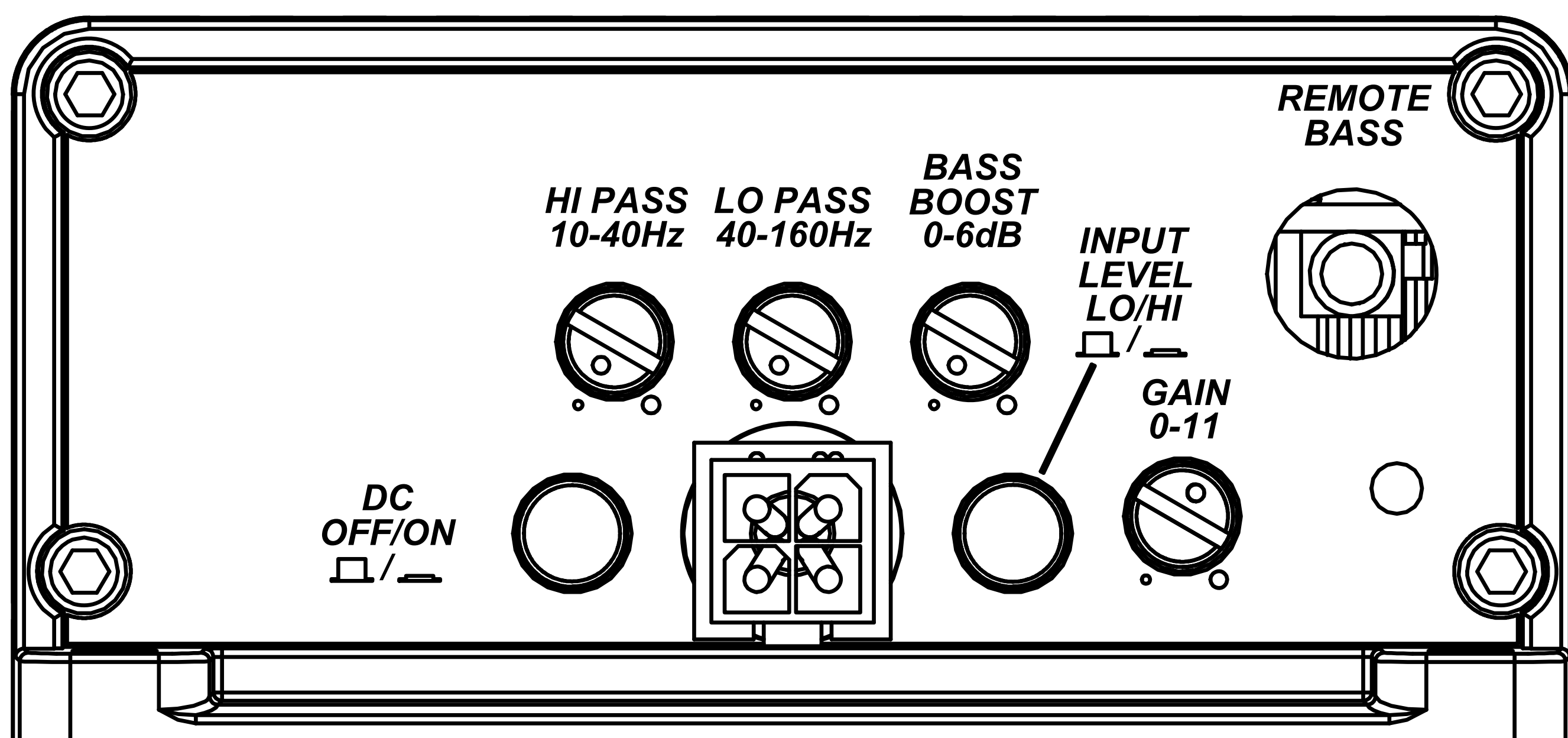
Pour les installations à plusieurs amplificateurs où des blocs de distribution sont utilisés, chaque amplificateur doit avoir son fusible de calibre approprié, ou disjoncteur, installé entre l'amplificateur et le bloc de distribution à moins de 18 po (45 cm) du bloc, ou sur le bloc de distribution s'il prévoit une fusion. Le fil d'alimentation principal doit également être fusionné entre la batterie et le bloc de distribution, à moins de 18 po (45 cm) de la borne positive de la batterie, avec un fusible ou un disjoncteur évalué au moins à la somme des valeurs de fusible de l'amplificateur individuel, mais ne dépassant pas la capacité de votre câblage.





Si nécessaire, coupez les connexions RCA pour utiliser l'entrée à haut niveau ou utilisez le [convertisseur haut-parleur-RCA KICKER KISL](#).

Utilisation



Mise en marche automatique : la série KPX offre deux modes de mise en marche automatiques différents ; +12 V et DC Offset.

Mise en marche à distance : faites courir le fil de calibre 18 de mise sous tension à distance sur votre unité source jusqu'au câble REM bleu sur le faisceau de câblage de l'amplificateur KPX.

- Mise sous tension DC Offset : le mode DC Offset détecte un décalage de plus de 2,5 V CC sur les câbles des sorties audio de niveau haut-parleur lorsque l'unité source a été mise sous tension. Pour utiliser le mode DC Offset, le bouton DC OFF/ON doit être en position ON ou IN. Lorsque le mode DC Offset est utilisé, la borne REM devient une sortie commutée +12 V (100 mA) permettant de mettre sous tension les autres amplificateurs et appareils.

INPUT LEVEL : les entrées RCA sont capables de recevoir des signaux de niveau élevé ou bas de votre unité source. Si la seule sortie disponible à partir de votre unité source est un signal de haut niveau, appuyez simplement sur le commutateur de niveau d'entrée de l'amplificateur. Reportez-vous à la section de câblage de ce manuel pour des instructions supplémentaires.

INPUT GAIN : le contrôle de gain d'entrée n'est pas un contrôle du volume. Il fait correspondre la sortie de l'unité source au niveau d'entrée de l'amplificateur. La puissance maximum de sortie de l'amplificateur est possible si le gain est réglé à la position la plus basse. Un mauvais réglage du gain peut entraîner une sortie déformée ou encore des dommages ou un dysfonctionnement prématuré de vos haut-parleurs. Pour une installation rapide, tournez l'unité source jusqu'à environ 3/4 du volume (si l'unité source va jusqu'à 30, réglez-la sur 25). Tournez doucement (dans le sens des aiguilles d'une montre) le gain sur l'amplificateur jusqu'à ce que vous entendiez une distorsion, puis diminuez-le un peu.

La méthode privilégiée consiste à régler le gain à l'aide d'un voltmètre ou d'un oscilloscope, commencez en éteignant l'amplificateur et en débranchant tous les haut-parleurs qui y sont connectés. Éteignez complètement la molette du gain (en la tournant dans le sens contraire des aiguilles d'une montre) et tous les filtres, ou configurez au dernier réglage efficace. Si un accessoire de basse à distance est branché à l'amplificateur, tournez-le complètement pour l'allumer (dans le sens des aiguilles d'une montre). Assurez-vous que tous les paramètres EQ et DSP de l'unité source, tels que la position des basses, des aigus, du fader, d'assise, etc. soient réglés

en position linéaire, horizontale, centrale ou arrêt. Allumez l'amplificateur. Faites jouer une onde sinusoïdale 0 dB par l'unité source et augmentez le volume à environ 3/4 du maximum. Des pistes d'ondes sinusoïdales peuvent être téléchargées gratuitement sur KICKER.com dans l'onglet « Support ». Utilisez l'onde sinusoïdale de 50 Hz pour régler le gain d'un caisson de graves et l'onde sinusoïdale à 1 kHz pour les haut-parleurs à spectre intégral. Réglez votre voltmètre ou votre oscilloscope pour mesurer le voltage CA. Placez les sondes du voltmètre sur les bornes de sortie du haut-parleur de l'amplificateur. Pendant la lecture de l'onde sinusoïdale, tournez doucement la molette du gain dans le sens des aiguilles d'une montre et regardez le voltage CA sur le voltmètre augmenter.

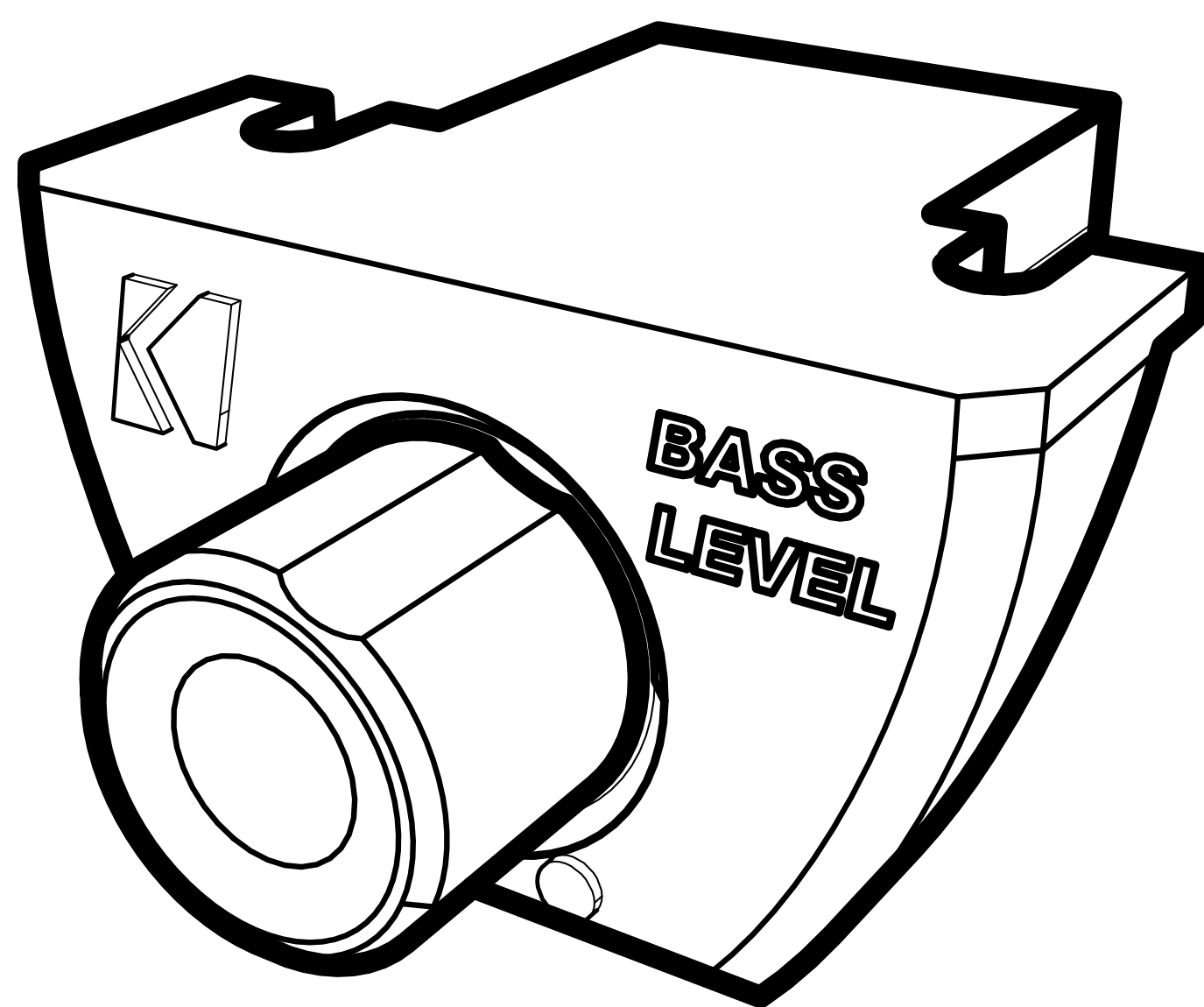
Lorsque le voltage souhaité s'affiche (voir le [tableau des puissances de référence sur KICKER.com](http://KICKER.com)), ou que vous voyez l'onde commencer à prendre une forme carrée, arrêtez d'augmenter le gain, éteignez l'amplificateur, rebranchez tous les haut-parleurs et configurez les filtres selon votre réglage préféré. Votre gain est maintenant réglé pour émettre une puissance non écrêtée maximale depuis l'amplificateur. Si vous augmentez l'amplitude à l'aide des réglages sur l'unité source ou l'amplification de basse sur l'amplificateur, cela apportera de la distorsion et vous devrez répéter ces étapes.

HI-PASS (filtre subsonique) : utilisez le bouton HI-PASS de l'amplificateur pour régler le filtre passe-haut interne de 10 à 40 Hz. L'amplificateur transmettra le son supérieur au seuil de fréquence sélectionné. Ceci est utilisé pour protéger le haut-parleur du caisson de basses contre l'excursion excessive due aux fréquences ultra-basses. En règle générale, vous souhaitez le régler une octave en dessous de la fréquence d'accord de l'enceinte (par exemple, si le boîtier est réglé sur 40 Hz, utilisez un réglage de 20 Hz).

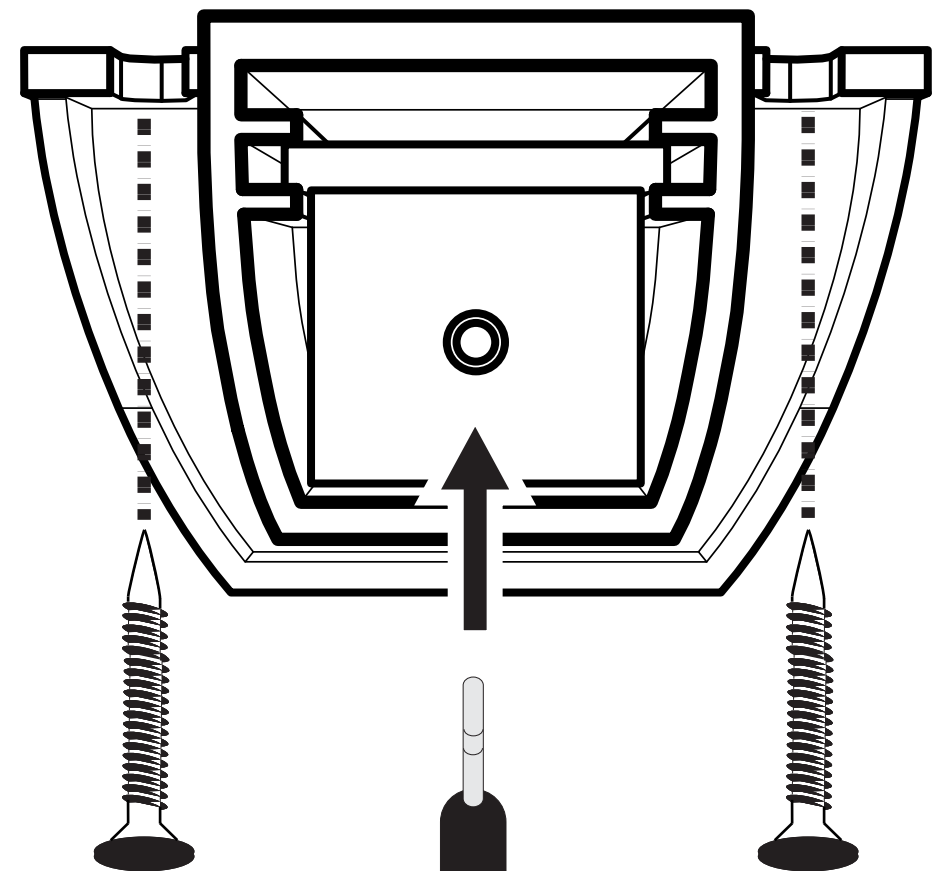
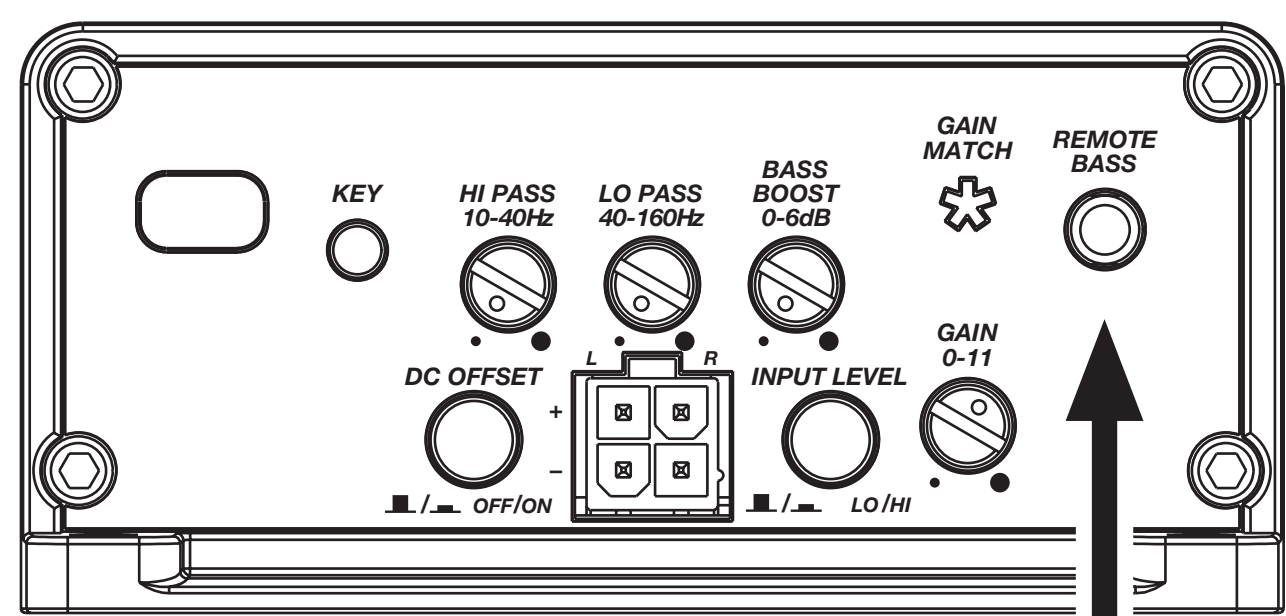
LO-PASS : utilisez le bouton LO-PASS de l'amplificateur pour régler le filtre passe-bas interne de 40 à 160 Hz. L'amplificateur transmettra le son inférieur au du seuil de fréquence sélectionné. Le caisson de basses ne doit jouer que des notes de sous-graves profondes. Si vous entendez des voix provenant du caisson de basses, essayez d'abaisser le point de filtrage jusqu'à ce que vous n'entendiez que les sous-graves.

BASS BOOST : la commande d'amplification variable des basses sur le côté de l'amplificateur est conçue pour vous offrir une sortie accrue, de 0 à 6 dB, à 40 Hz. Le réglage de cette commande est subjectif. Si vous l'augmentez, vous devez réajuster la commande de gain d'entrée pour éviter l'écrêtage de l'amplificateur.

REMOTE BASS : avec le contrôle du niveau des basses à distance CXARC en option, vous avez la possibilité de contrôler à distance le niveau de sortie de l'amplificateur. Pour monter en surface la commande du niveau des basses à distance, vissez simplement la télécommande à l'emplacement choisi, puis faites passer le câble du contrôleur à la prise « Remote Bass » sur le panneau de l'amplificateur. Une fois le gain de l'amplificateur correctement réglé, cette commande de niveau des basses vous permet de diminuer ou d'augmenter le niveau du caisson de basses jusqu'au point de sortie maximale non écrêtée (non déformée).



Montez la télécommande CXARC en surface à l'aide des vis fournies.



vue arrière

Dépannage

Si votre amplificateur ne semble pas fonctionner, vérifiez d'abord les éléments évidents tels que les fusibles grillés, les connexions de câblage médiocres ou incorrectes, le réglage incorrect du commutateur de filtre et des commandes de gain, etc. Des LED d'alimentation (PWR) et de protection (PRT) se trouvent sur le panneau latéral de votre amplificateur de la gamme KICKER KPX. En fonction de l'état de l'amplificateur et du système de charge du véhicule, les LED s'allument en vert ou en rouge. Lorsque la LED verte est allumée, cela indique que l'amplificateur est sous tension et qu'il n'y a aucun problème.

LED verte éteinte, pas de sortie ? À l'aide d'un multimètre (VOM), vérifiez les éléments suivants :
❶ Borne d'alimentation +12 V (devrait indiquer +12 V à +16 V) ❷ Borne de mise sous tension à distance (devrait indiquer +12 V à +16 V) ❸ Vérifiez que les connexions d'alimentation et de terre ne sont pas inversées ❹ Bonne connectivité de la borne de terre.

LED verte allumée, pas de sortie ? Vérifiez les points suivants : ❶ Connexions RCA ❷ Testez les sorties des haut-parleurs avec un bon haut-parleur « connu ». ❸ Remplacez l'unité source par une bonne unité source « connue ». ❹ Vérifiez s'il y a un signal dans le câble RCA alimentant l'amplificateur avec le multimètre réglé pour mesurer la tension « CA ». Utilisez une tonalité de test de 50 Hz.

La LED rouge (PRT) clignote avec de la musique forte ? La LED rouge (PRT) indique une tension de batterie faible. Vérifiez toutes les connexions du système de charge de votre véhicule. Il peut être nécessaire de remplacer ou de recharger la batterie de votre véhicule ou de remplacer son alternateur.

LED rouge (PRT) allumée, pas de sortie ? ❶ L'amplificateur est très chaud : la protection thermique est activée. Vérifiez l'impédance appropriée aux bornes des haut-parleurs à l'aide d'un multimètre réglé sur « Résistance CC » (voir les schémas dans ce manuel pour l'impédance minimale recommandée et les suggestions de câblage de plusieurs haut-parleurs). Vérifiez également que le flux d'air autour de l'amplificateur est adéquat. ❷ L'amplificateur ne s'éteint que lorsque le véhicule est en marche : le circuit de protection de tension est activé. La tension d'alimentation de l'amplificateur ne se situe pas dans la plage de fonctionnement de 6 à 16 volts. Faites inspecter le système de charge et le système électrique du véhicule. ❸ L'amplificateur ne jouera qu'à des niveaux de volume faibles : la protection contre les courts-circuits est activée. Vérifiez si les fils des haut-parleurs sont court-circuités entre eux ou avec le châssis du véhicule. Vérifiez si les haut-parleurs sont endommagés ou s'ils fonctionnent en dessous de l'impédance minimale recommandée.

Pas de sortie ou sortie faible ? ❶ Vérifiez les commandes de balance et de fader sur l'unité source. ❷ Vérifiez les connexions RCA (ou entrée haut-parleur) et de sortie haut-parleur. ❸ Vérifiez le niveau de volume sur votre unité source, pour inclure le niveau de volume de tous les téléphones ou lecteurs MP3 connectés.

Bruit sifflant de l'alternateur avec le régime du moteur ? ❶ Vérifiez si le câble RCA (ou entrée haut-parleur) est endommagé ❷ Vérifiez l'acheminement du câble RCA (ou entrée haut-parleur) ❸ Vérifiez la mise à la terre de l'unité source ❹ Vérifiez les réglages de gain et baissez-les s'ils sont trop élevés.

ATTENTION : Lors du démarrage du véhicule, assurez-vous que les connexions effectuées avec les câbles de démarrage sont correctes. Des connexions incorrectes peuvent entraîner des fusibles d'amplificateur grillés ainsi que la défaillance d'autres systèmes critiques du véhicule.

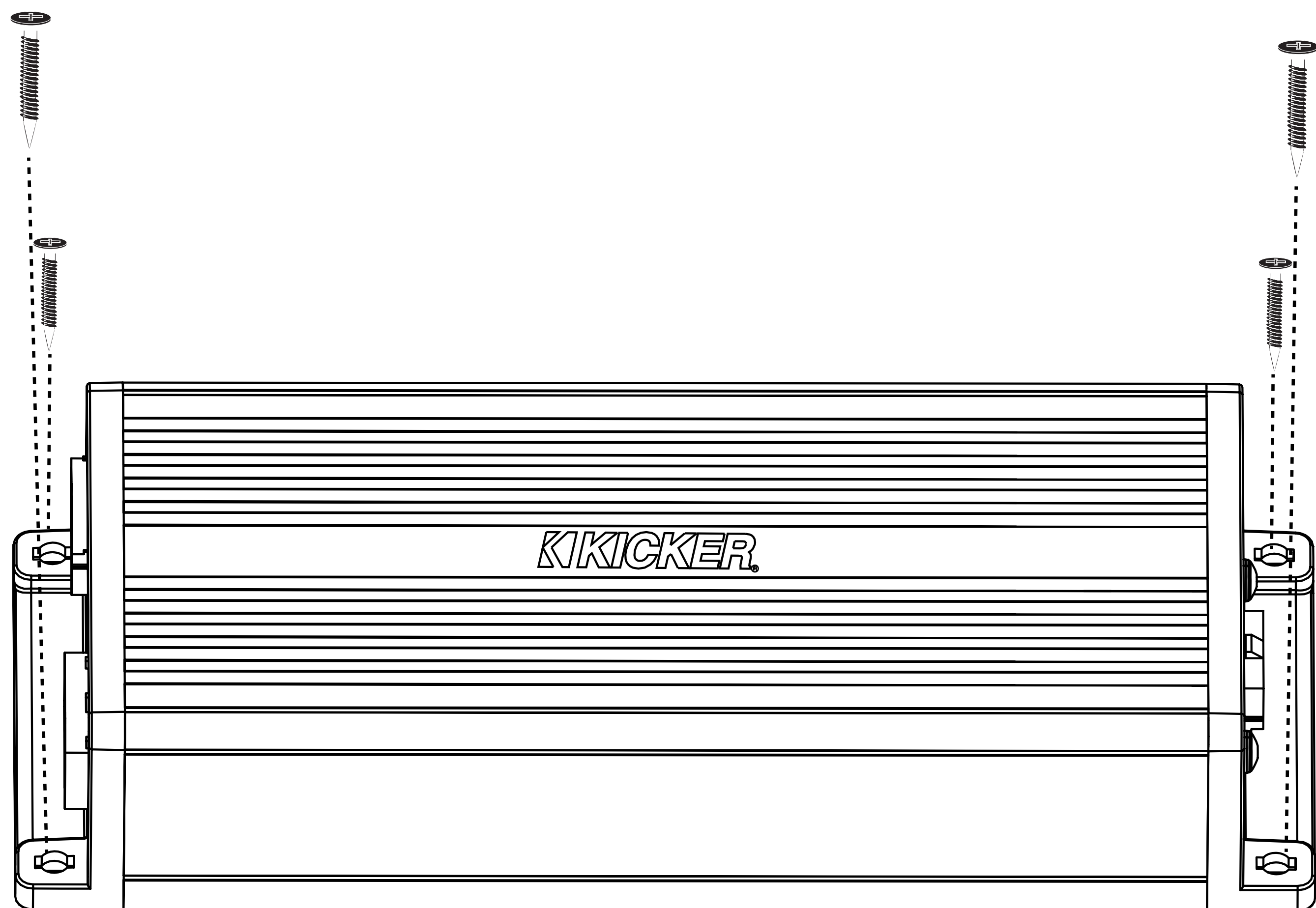
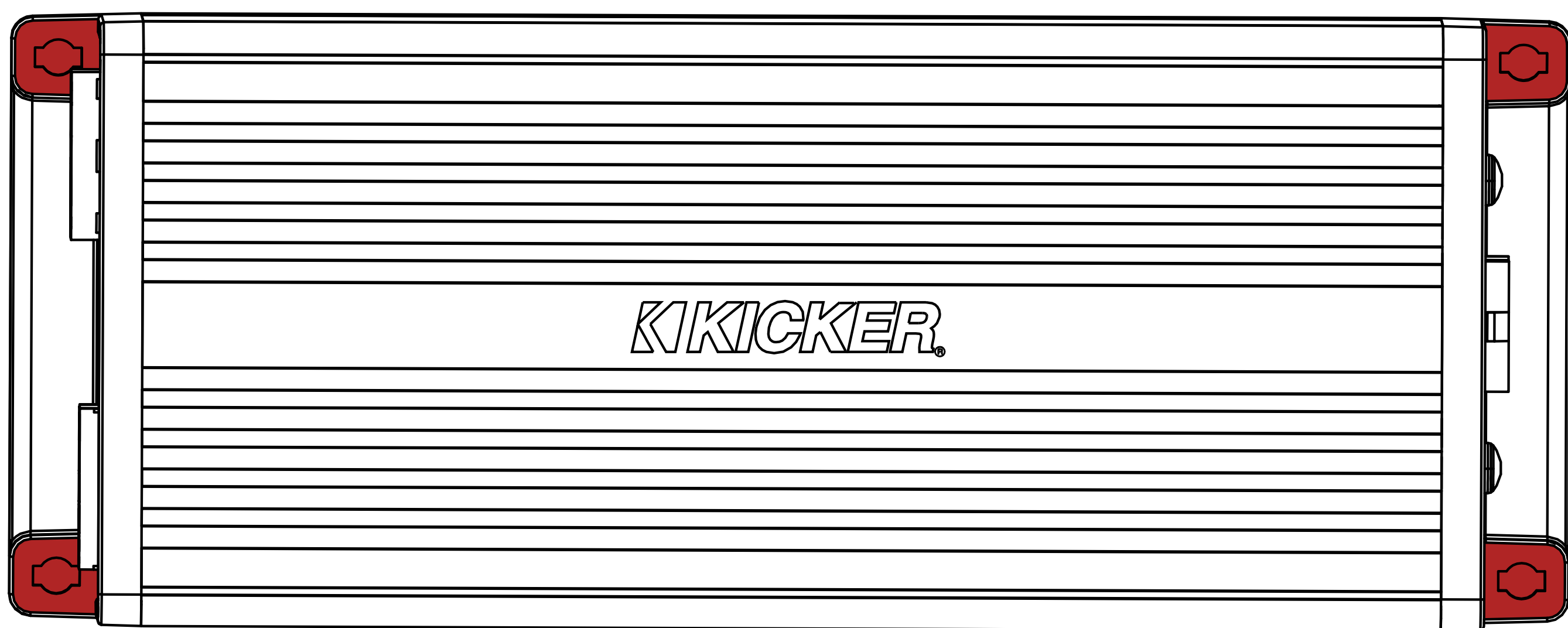
Si vous avez d'autres questions sur l'installation ou le fonctionnement de votre nouveau produit KICKER, consultez le revendeur agréé KICKER chez qui vous avez effectué votre achat. Pour plus de conseils sur l'installation, cliquez sur l'onglet SUPPORT sur la page d'accueil de KICKER : **www.KICKER.com**. Choisissez l'onglet ASSISTANCE TECHNIQUE, le sujet qui vous intéresse, puis téléchargez ou visualisez les informations correspondantes. Veuillez envoyer un courriel à support@KICKER.com ou appeler les services techniques au (405) 624-8583 pour des questions sans réponse ou particulières.

KPX300.4

Installation

Montage

Choisissez un emplacement structurellement solide pour monter votre amplificateur KICKER. Assurez-vous qu'il n'y a aucun élément derrière la zone de mise en place des vis. Choisissez un emplacement qui offre un espace libre d'au moins 4 po (10 cm) pour la ventilation de l'amplificateur. Percez quatre trous à l'aide d'une mèche de 7/64 po (3 mm) et utilisez les vis n° 8 fournies pour monter l'amplificateur.



Câblage électrique

[Cliquez ici pour obtenir les kits d'installation de l'amplificateur](#)

Modèle	Fusible externe (vendu séparément)	Fil d'alimentation/de terre	Kit de câblage KICKER
KPX300.4	1 x 40 ampères	Calibre 8	KMPK8, PK8, CK8

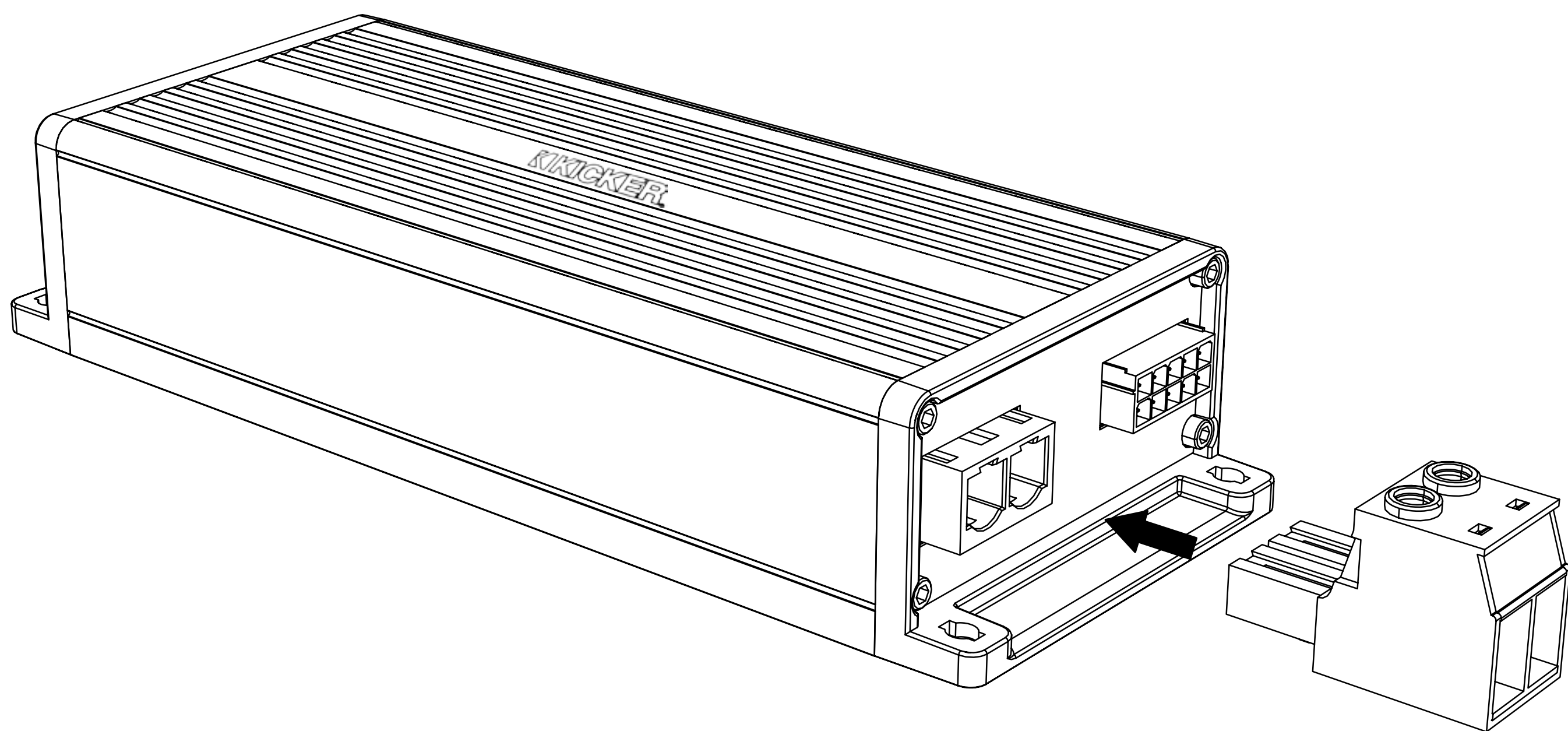
KICKER offrira une garantie de trois ans pour tout achat d'amplificateur de la gamme KPX associé à un kit d'installation KICKER éligible*.

Cela prolonge la garantie standard d'une année supplémentaire. *L'amplificateur et le kit doivent être achetés auprès d'un **revendeur KICKER agréé**.*

L'utilisation de kits de câblage de mauvaise qualité et de spécifications inférieures nuira aux performances de l'amplificateur KPX. Un kit d'installation KICKER de qualité supérieure garantit une plus longue durée de vie des amplificateurs KPX.

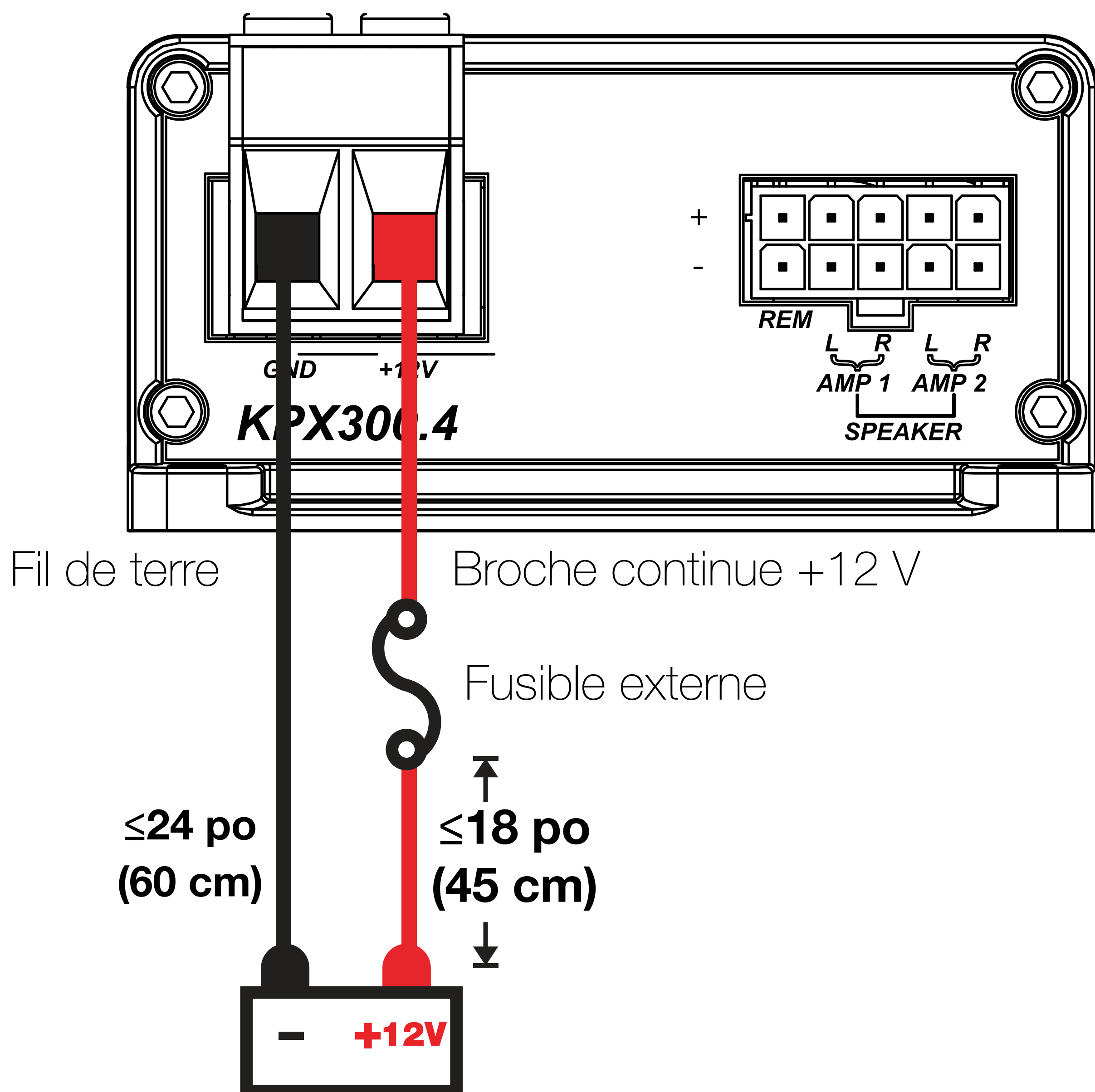
La nouvelle extension de garantie s'applique uniquement aux amplificateurs et accessoires KICKER vendus aux consommateurs par des revendeurs KICKER agréés aux États-Unis d'Amérique ou dans les territoires associés. En outre, elle s'applique uniquement à l'acheteur initial des amplificateurs et accessoires KICKER. Une extension de garantie par amplificateur est autorisée quel que soit le nombre de kits d'installation d'amplificateur achetés. Ce programme ne s'applique pas aux produits en stock « B » ni aux produits remis à neuf en usine. La durée de cette offre est limitée, donc adressez-vous dès que possible à votre revendeur KICKER agréé local pour plus de détails.

***U.S.A. Only | EE.UU. solamente | Nur USA | États-Unis uniquement**

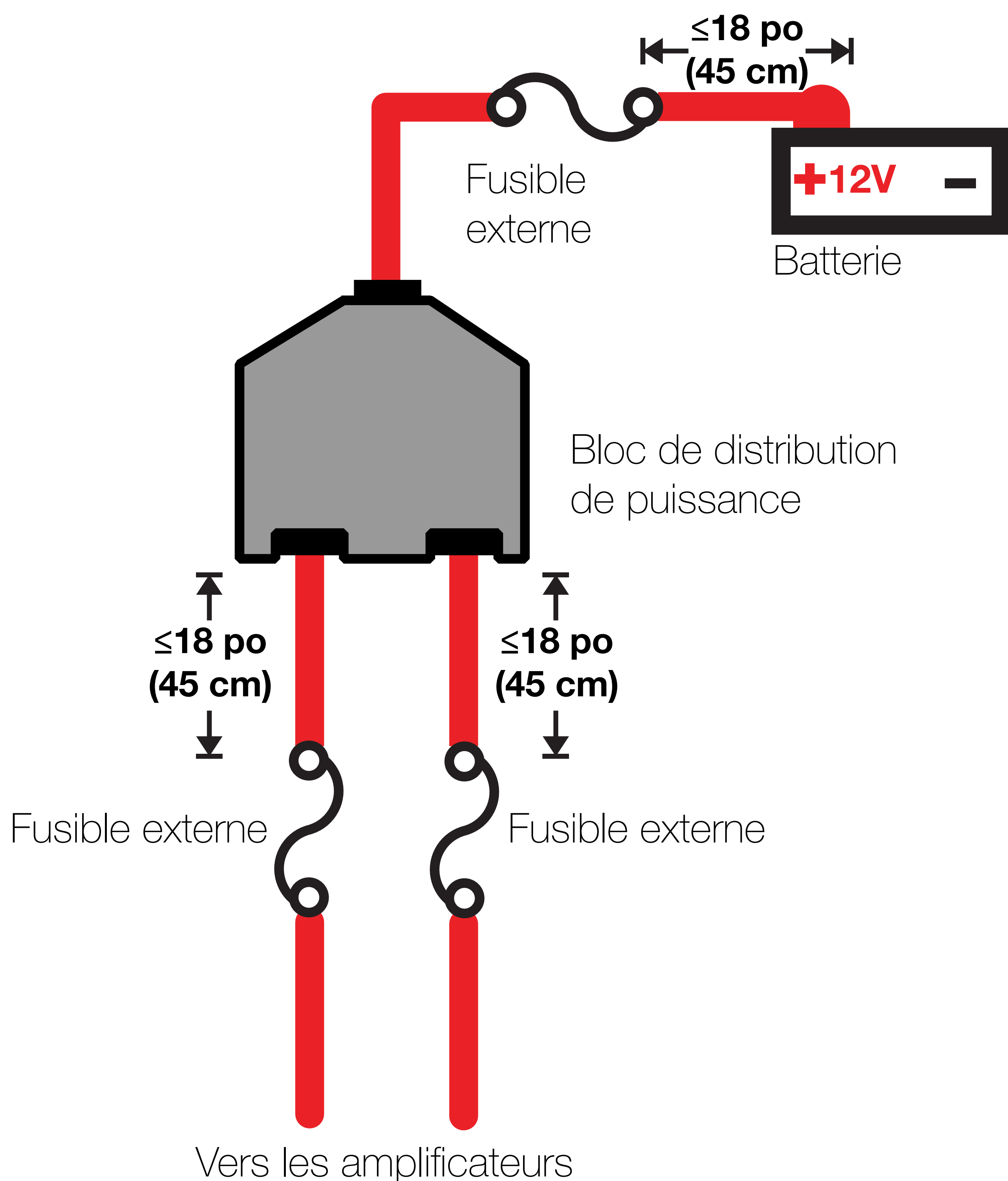


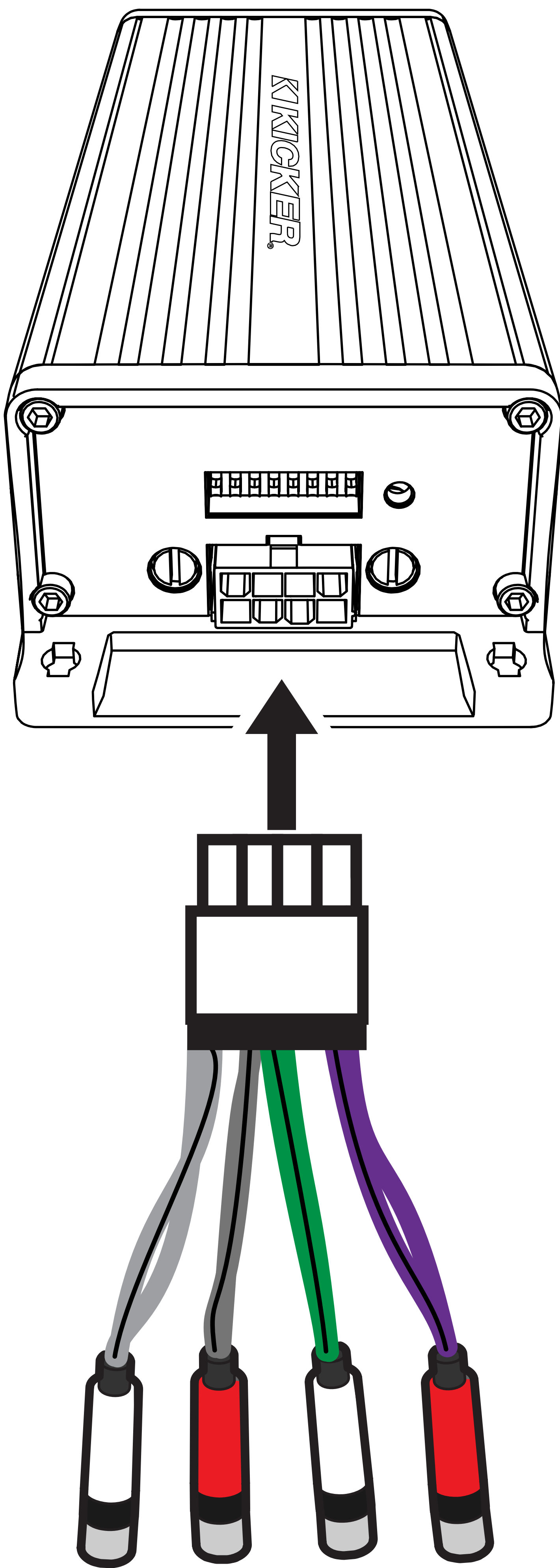
Pour commencer, installez l'adaptateur pour borne de puissance et mise à terre KPX. Débranchez la batterie du véhicule pour éviter un court-circuit. Une bonne connexion à la terre est importante. Si le KPX est installé sur le carénage avant d'une moto, il sera préférable de prolonger le fil de terre jusqu'à la batterie. Faites en sorte que le fil de terre soit court, 24 po (60 cm) ou moins, et, s'il n'est pas relié à la batterie, connectez-le à une zone métallique solide, sans peinture ni corrosion, du châssis du véhicule. Il est recommandé d'ajouter un fil de terre supplémentaire de

ce même calibre (ou plus fort) entre la borne négative de la batterie et le châssis du véhicule. Placez le câble de signal audio à l'écart des faisceaux de câbles d'usine et des autres câbles d'alimentation. Si vous avez besoin de croiser ce câblage, croisez-le à un angle de 90 degrés. Installez un fusible à la broche continue bleue +12 V. Le fusible doit être installé le plus près possible et à moins de 18 po (45 cm) de la batterie et en ligne avec le faisceau du fil d'alimentation, qui est connecté à votre amplificateur KPX. Assurez-vous que le fil d'alimentation soit acheminé de sorte qu'il ne soit pas endommagé, ondulé ou court-circuité. Si jamais vous avez besoin de retirer l'amplificateur du véhicule après son installation, le fil de terre doit être le dernier fil déconnecté de l'amplificateur, c'est-à-dire le contraire de la façon dont vous l'avez installé.



Pour les installations à plusieurs amplificateurs où des blocs de distribution sont utilisés, chaque amplificateur doit avoir son fusible de calibre approprié, ou disjoncteur, installé entre l'amplificateur et le bloc de distribution à moins de 18 po (45 cm) du bloc, ou sur le bloc de distribution s'il prévoit une fusion. Le fil d'alimentation principal doit également être fusionné entre la batterie et le bloc de distribution, à moins de 18 po (45 cm) de la borne positive de la batterie, avec un fusible ou un disjoncteur évalué au moins à la somme des valeurs de fusible de l'amplificateur individuel, mais ne dépassant pas la capacité de votre câblage.

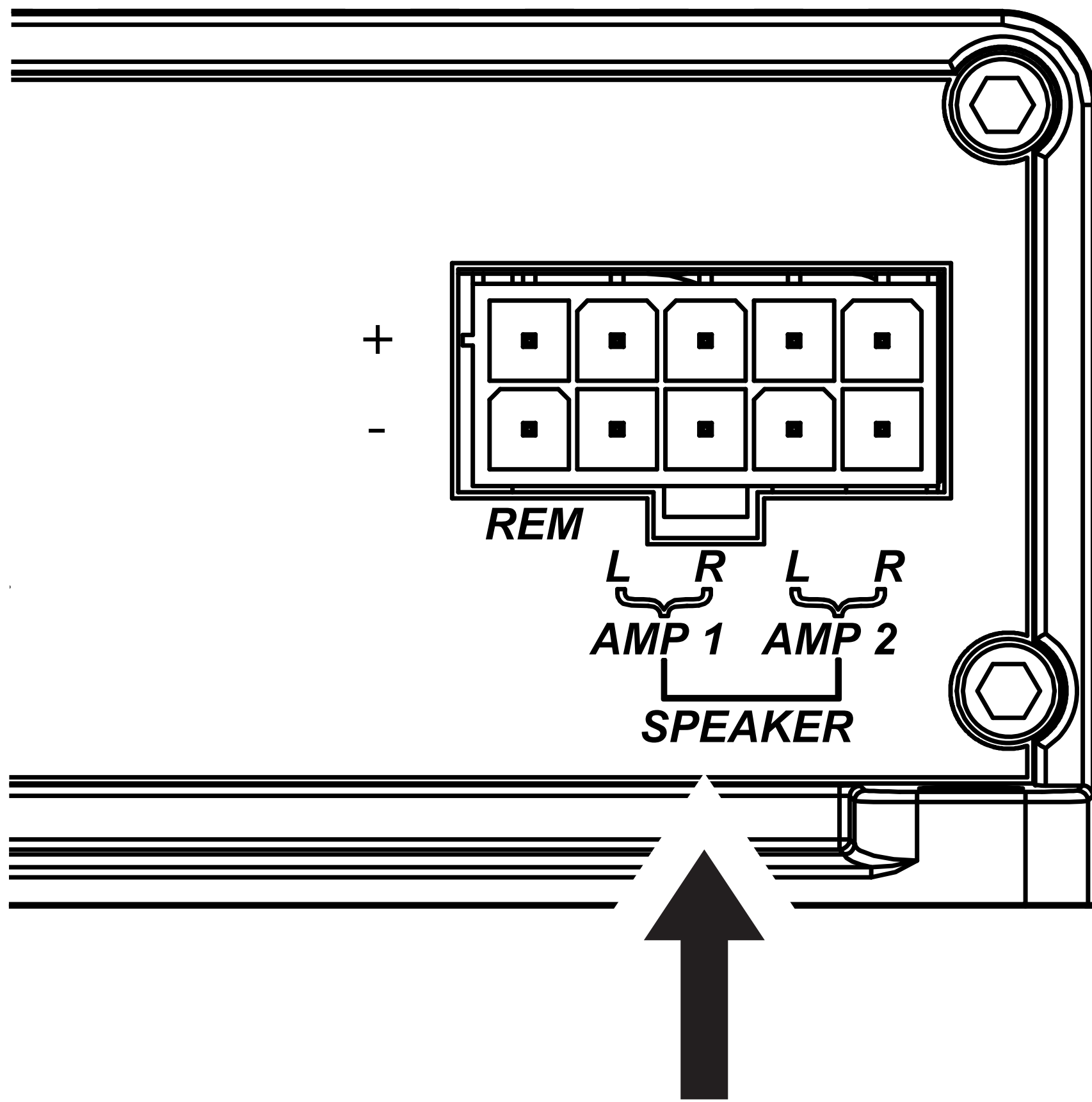




Si nécessaire, coupez les connexions RCA pour utiliser l'entrée à haut niveau ou utilisez le [convertisseur haut-parleur-RCA KICKER KISL](#).

Câblage du haut-parleur

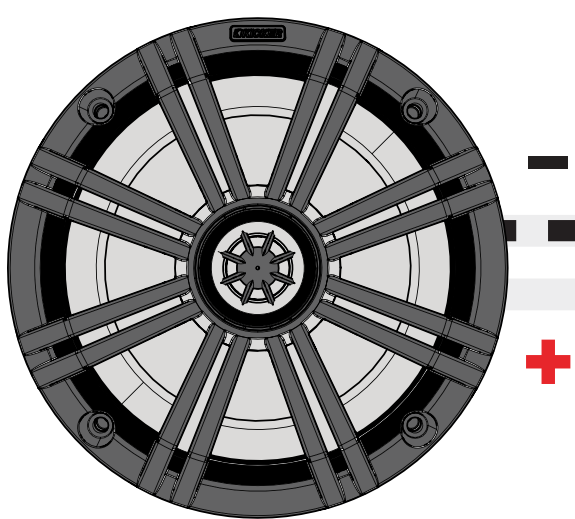
(Opération 4 canaux)



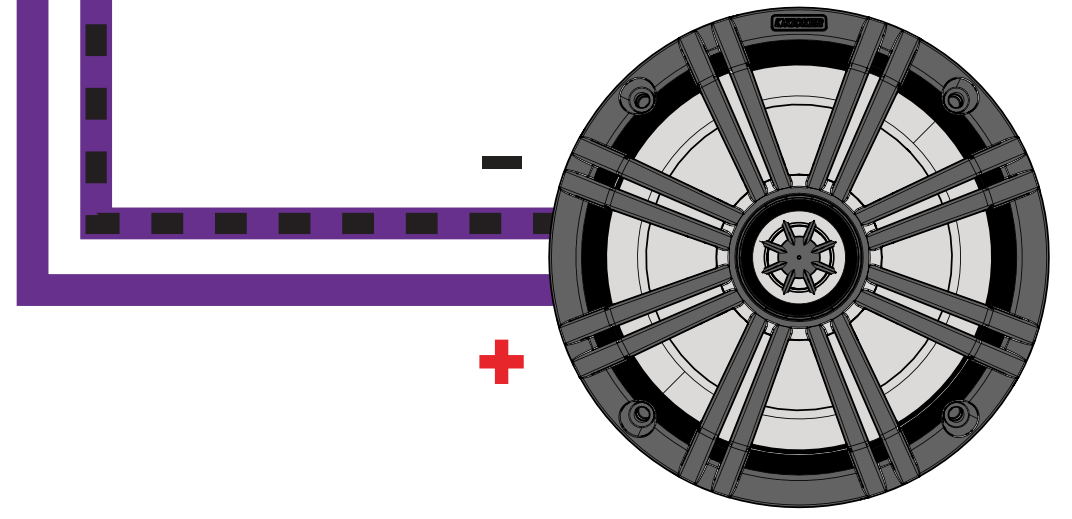
Mise en
marche à
distance

[\(voir la page 76\)](#)

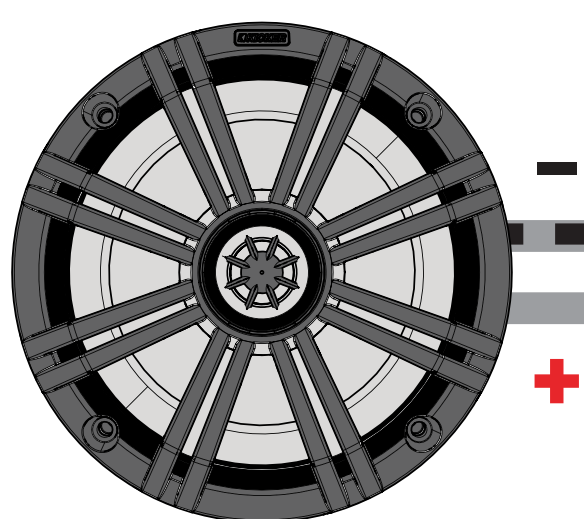
Ampli 1 gauche (blanc)



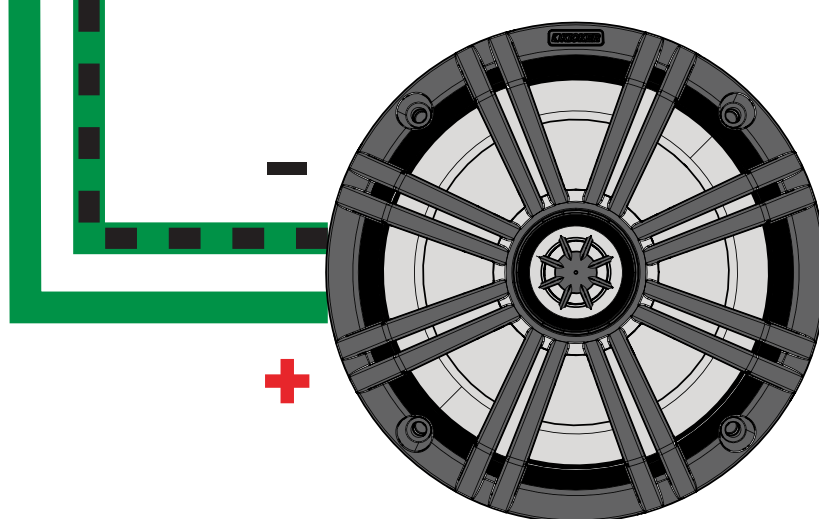
Ampli 2 droit (violet)



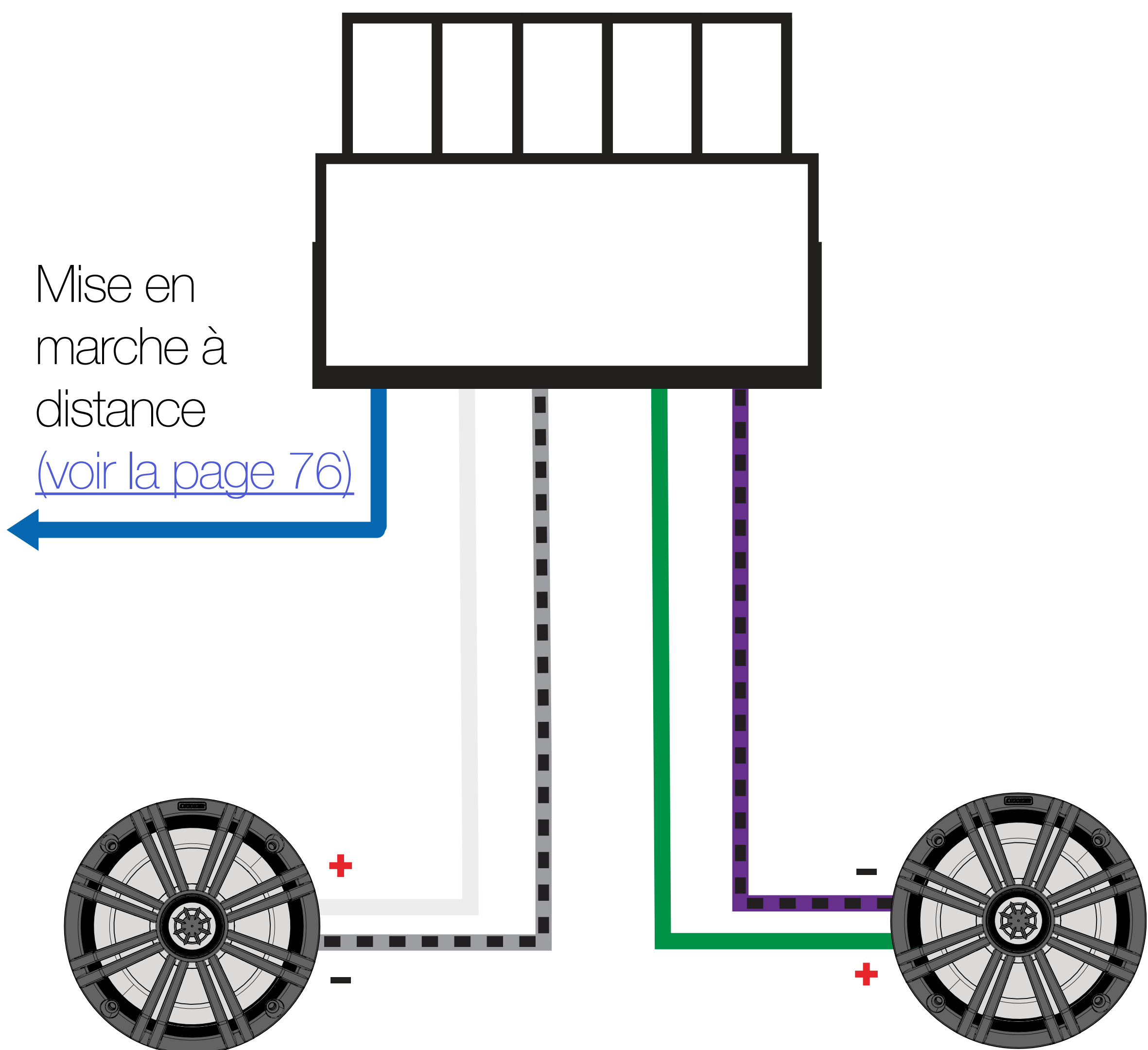
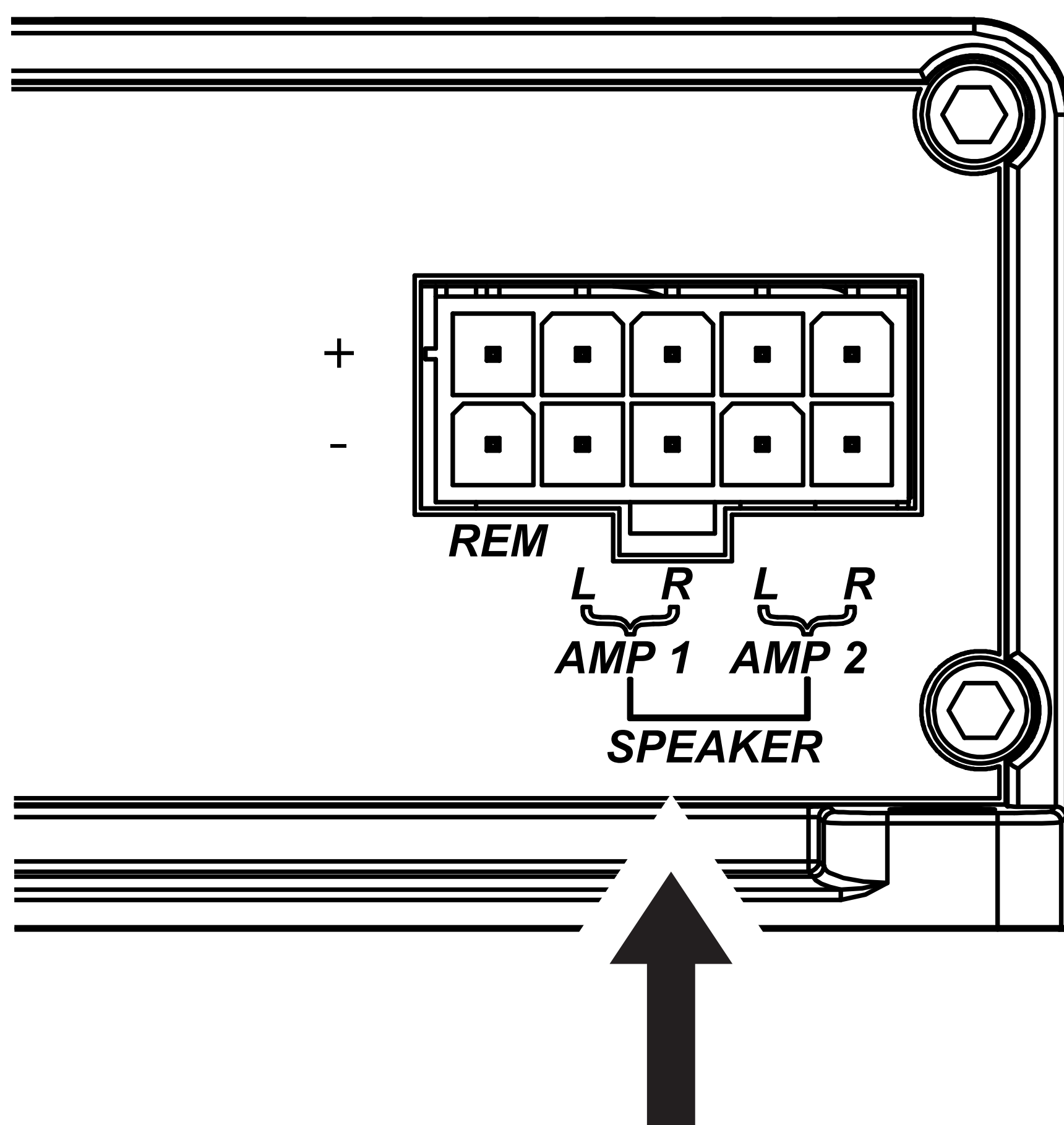
Ampli 1 droit (gris)



Ampli 2 gauche (vert)



(Fonctionnement en mode bridgé)



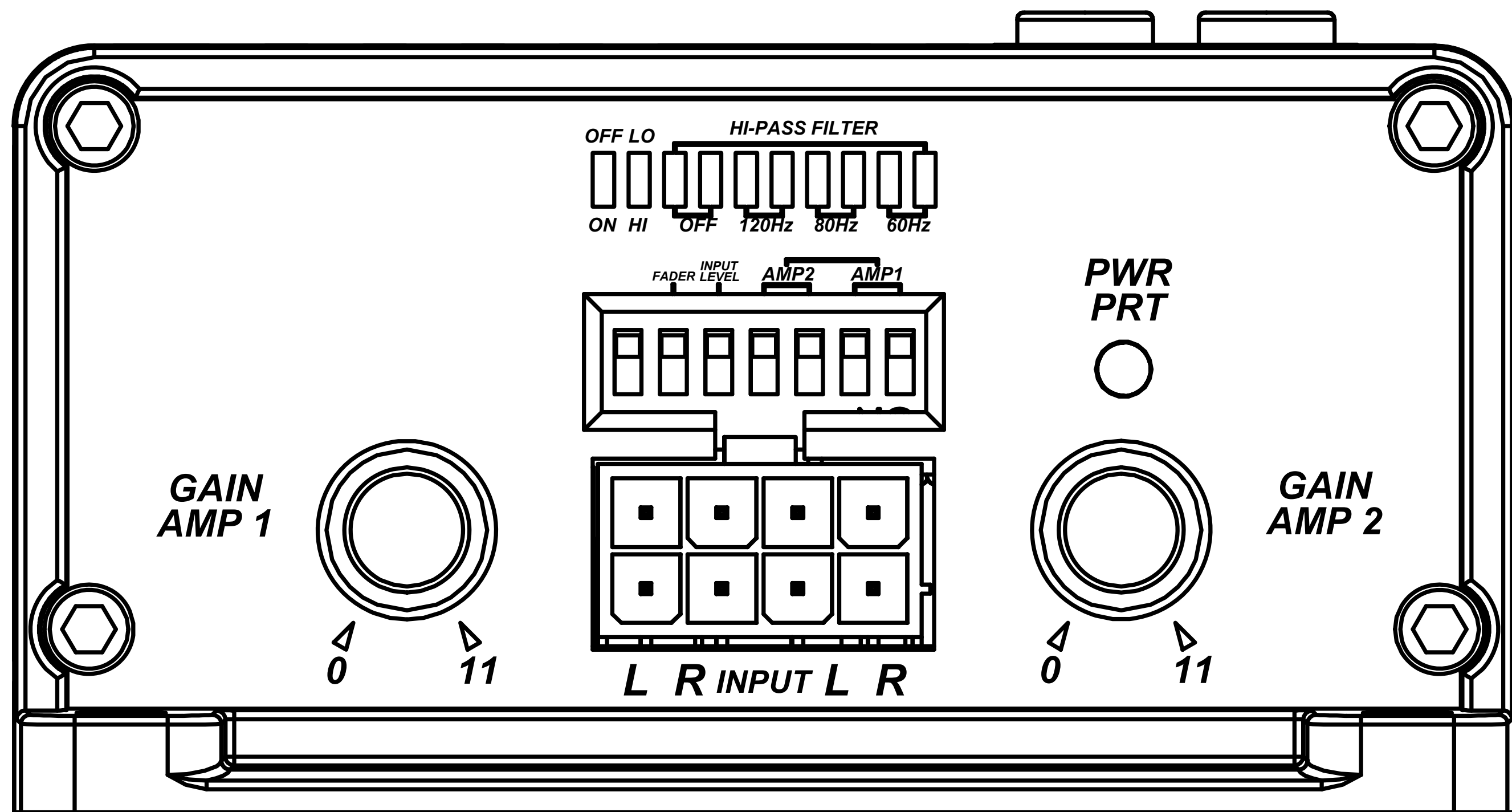
Ampli 1 gauche (blanc) positif
Ampli 1 droit (gris) négatif

Ampli 2 gauche (vert) positif
Ampli 2 droit (violet) négatif

Vous pouvez utiliser une combinaison d'opérations en modes stéréo et bridgé (ex. ampli 1 gauche et droite, et ampli 2 bridgé mono)

Utilisation

IMPORTANT : le premier interrupteur n'a pas de fonction. Ne changez jamais les interrupteurs lorsque le système audio est allumé !



Mise en marche automatique : la série KPX offre deux modes de mise en marche automatiques différents ; +12 V et DC Offset.

- Mise en marche à distance : faites courir le fil de calibre 18 de mise sous tension à distance sur votre unité source jusqu'au câble REM bleu sur le faisceau de câblage de l'amplificateur KPX.
- Mise sous tension DC Offset : le mode DC Offset détecte un décalage de plus de 2,5 V CC sur les câbles des sorties audio de niveau haut-parleur lorsque l'unité source a été mise sous tension.

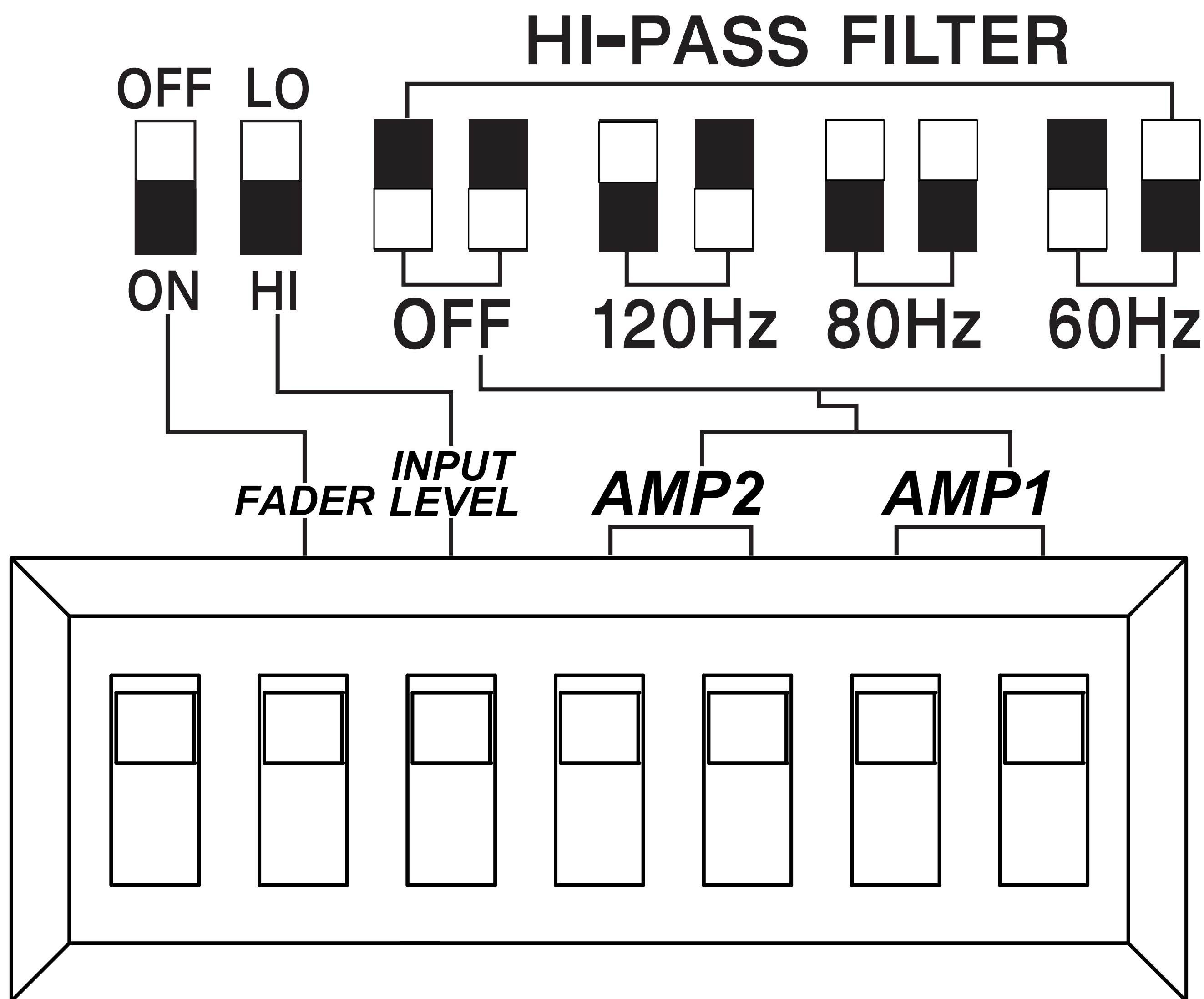
Contrôles de gain d'entrée : le contrôle de gain d'entrée n'est pas un contrôle du volume. Il fait correspondre la sortie de l'unité source au niveau d'entrée de l'amplificateur. La puissance maximum de sortie de l'amplificateur est possible si le gain est réglé à la position la plus basse. Un mauvais réglage du gain peut entraîner une sortie déformée ou encore des dommages ou un dysfonctionnement

prématuré de vos haut-parleurs. Pour une installation rapide, tournez l'unité source jusqu'à environ 3/4 du volume (si l'unité source va jusqu'à 30, réglez-la sur 25). Tournez doucement (dans le sens des aiguilles d'une montre) le gain sur l'amplificateur jusqu'à ce que vous entendiez une distorsion, puis diminuez-le un peu.

La méthode privilégiée consiste à régler le gain à l'aide d'un voltmètre ou d'un oscilloscope, commencez en éteignant l'amplificateur et en débranchant tous les haut-parleurs qui y sont connectés. Éteignez complètement la molette du gain (en la tournant dans le sens contraire des aiguilles d'une montre) et tous les filtres, ou configurez au dernier réglage efficace. Si un accessoire de basse à distance est branché à l'amplificateur, tournez-le complètement pour l'allumer (dans le sens des aiguilles d'une montre). Assurez-vous que tous les paramètres EQ et DSP de l'unité source, tels que la position des basses, des aigus, du fader, d'assise, etc. soient réglés en position linéaire, horizontale, centrale ou arrêt. Allumez l'amplificateur. Faites jouer une onde sinusoïdale 0 dB par l'unité source et augmentez le volume à environ 3/4 du maximum. Des pistes d'ondes sinusoïdales peuvent être téléchargées gratuitement sur [KICKER.com](https://www.kicker.com/support) dans l'onglet « Support ». Utilisez l'onde sinusoïdale de 50 Hz pour régler le gain

d'un caisson de graves et l'onde sinusoïdale à 1 kHz pour les haut-parleurs à spectre intégral. Réglez votre voltmètre ou votre oscilloscope pour mesurer le voltage CA. Placez les sondes du voltmètre sur les bornes de sortie du haut-parleur de l'amplificateur. Pendant la lecture de l'onde sinusoïdale, tournez doucement la molette du gain dans le sens des aiguilles d'une montre et regardez le voltage CA sur le voltmètre augmenter.

Lorsque le voltage souhaité s'affiche (voir le [tableau des puissances de référence sur KICKER.com](#)), ou que vous voyez l'onde commencer à prendre une forme carrée, arrêtez d'augmenter le gain, éteignez l'amplificateur, rebranchez tous les haut-parleurs et configurez les filtres selon votre réglage préféré. Votre gain est maintenant réglé pour émettre une puissance non écrêtée maximale depuis l'amplificateur. Si vous augmentez l'amplitude à l'aide des réglages sur l'unité source ou l'amplification de basse sur l'amplificateur, cela apportera de la distorsion et vous devrez répéter ces étapes.



Interrupteur du fader : allumez l'interrupteur du fader si vous faites courir deux ensembles d'entrées (avant et arrière par exemple) jusqu'à l'amplificateur. Laissez l'interrupteur du fader éteint si vous voulez émettre toutes les canaux depuis une entrée stéréo unique.

Niveau d'entrée : choisissez entre recevoir un signal de niveau bas ou élevé de votre unité source.

HI-PASS : utilisez les interrupteurs HI-PASS de l'amplificateur pour régler le filtre interne. Choisissez une coupure à 60 Hz, 80 Hz, 120 Hz ou OFF, en fonction de la configuration des interrupteurs.

Dépannage

Si votre amplificateur ne semble pas fonctionner, vérifiez d'abord les éléments évidents tels que les fusibles grillés, les connexions de câblage médiocres ou incorrectes, le réglage incorrect du commutateur de filtre et des commandes de gain, etc. Des LED d'alimentation (PWR) et de protection (PRT) se trouvent sur le panneau latéral de votre amplificateur de la gamme KICKER KPX. En fonction de l'état de l'amplificateur et du système de charge du véhicule, les LED s'allument en vert ou en rouge. Lorsque la LED verte est allumée, cela indique que l'amplificateur est sous tension et qu'il n'y a aucun problème.

LED verte éteinte, pas de sortie ? À l'aide d'un multimètre (VOM), vérifiez les éléments suivants :
❶ Borne d'alimentation +12 V (devrait indiquer +12 V à +16 V) ❷ Borne de mise sous tension à distance (devrait indiquer +12 V à +16 V) ❸ Vérifiez que les connexions d'alimentation et de terre ne sont pas inversées ❹ Bonne connectivité de la borne de terre.

LED verte allumée, pas de sortie ? Vérifiez les points suivants : ❶ Connexions RCA ❷ Testez les sorties des haut-parleurs avec un bon haut-parleur « connu ». ❸ Remplacez l'unité source par une bonne unité source « connue ». ❹ Vérifiez s'il y a un signal dans le câble RCA alimentant l'amplificateur avec le multimètre réglé pour mesurer la tension « CA ».

La LED rouge (PRT) clignote avec de la musique forte ? La LED rouge (PRT) indique une tension de batterie faible. Vérifiez toutes les connexions du système de charge de votre véhicule. Il peut être nécessaire de remplacer ou de recharger la batterie de votre véhicule ou de remplacer son alternateur.

LED rouge (PRT) allumée, pas de sortie ? ❶ L'amplificateur est très chaud : la protection thermique est activée. Vérifiez l'impédance appropriée aux bornes des haut-parleurs à l'aide d'un multimètre (voir les schémas dans ce manuel pour l'impédance minimale recommandée et les suggestions de câblage de plusieurs haut-parleurs). Vérifiez également que le flux d'air autour de l'amplificateur est adéquat. ❷ L'amplificateur ne s'éteint que lorsque le véhicule est en marche : le circuit de protection de tension est activé. La tension d'alimentation de l'amplificateur ne se situe pas dans la plage de fonctionnement de 6 à 16 volts. Faites inspecter le système de charge et le système électrique du véhicule. ❸ L'amplificateur ne jouera qu'à des niveaux de volume faibles : la protection contre les courts-circuits est activée. Vérifiez si les fils des haut-parleurs sont court-circuités entre eux ou avec le châssis du véhicule. Vérifiez si les haut-parleurs sont endommagés ou s'ils fonctionnent en dessous de l'impédance minimale recommandée.

Pas de sortie ou sortie faible ? ❶ Vérifiez les commandes de balance et de fader sur l'unité source. ❷ Vérifiez les connexions RCA (ou entrée haut-parleur) et de sortie haut-parleur. ❸ Si vous utilisez un signal de faible niveau, assurez-vous que la fonction de détection de la radio est désactivée. ❹ Vérifiez le niveau de volume sur votre unité source, pour inclure le niveau de volume de tous les téléphones ou lecteurs MP3 connectés.

Bruit sifflant de l'alternateur avec le régime du moteur ? ❶ Vérifiez si le câble RCA (ou entrée haut-parleur) est endommagé ❷ Vérifiez l'acheminement du câble RCA (ou entrée haut-parleur) ❸ Vérifiez la mise à la terre de l'unité source ❹ Vérifiez les réglages de gain et baissez-les s'ils sont trop élevés.

ATTENTION : Lors du démarrage du véhicule, assurez-vous que les connexions effectuées avec les câbles de démarrage sont correctes. Des connexions incorrectes peuvent entraîner des fusibles d'amplificateur grillés ainsi que la défaillance d'autres systèmes critiques du véhicule.

Si vous avez d'autres questions sur l'installation ou le fonctionnement de votre nouveau produit KICKER, consultez le revendeur agréé KICKER chez qui vous avez effectué votre achat. Pour plus de conseils sur l'installation, cliquez sur l'onglet SUPPORT sur la page d'accueil de KICKER : **www.KICKER.com**. Choisissez l'onglet ASSISTANCE TECHNIQUE, le sujet qui vous intéresse, puis téléchargez ou visualisez les informations correspondantes. Veuillez envoyer un courriel à support@KICKER.com ou appeler les services techniques au (405) 624-8583 pour des questions sans réponse ou particulières.

Inhalt

Übersicht	82
Spezifikationen	83

KPX Mono

Installation	84
Montage	84
Verkabelung	85
Betrieb	89
Fehlerbehebung	94

KPX 4-CH

Installation	95
Montage	95
Leistungsverdrahtung	96
Lautsprecherverdrahtung	100
Betrieb	102
Fehlersuche	106
Garantía Garantie	108

Übersicht

WICHTIGER SICHERHEITSHINWEIS

LÄNGERER DAUERBETRIEB EINES VERSTÄRKERS, LAUTSPRECHERS ODER SUBWOOFERS IN VERZERRTER, BESCHNITTENER ODER ÜBERSTEUERTER FORM KANN ZU EINER ÜBERHITZUNG IHRES AUDIOSYSTEMS FÜHREN, DAS MÖGLICHERWEISE FEUER FÄNGT UND ZU SCHWEREN SCHÄDEN AN IHREN KOMPONENTEN UND/ODER IHREM FAHRZEUG FÜHRT. VERSTÄRKER BENÖTIGEN BIS ZU 10 CM (4 ZOLL) OFFENE BELÜFTUNG. SUBWOOFER SOLLTEN MIT EINEM ABSTAND VON MINDESTENS 2,5 CM (1 ZOLL) ZWISCHEN DER VORDERSEITE DES LAUTSPRECHERS UND EINER OBERFLÄCHE MONTIERT WERDEN. KICKER-PRODUKTE SIND IN DER LAGE, SCHALLPEGEL ZU ERZEUGEN, DIE IHR GEHÖR DAUERHAFT SCHÄDIGEN KÖNNEN! WENN SIE EIN SYSTEM AUF EINEN PEGEL AUFDREHEN, DER HÖRBARE VERZERRUNGEN AUFWEIST, SCHADET DIES IHREN OHREN MEHR, ALS WENN SIE EIN UNVERZERRTES SYSTEM MIT DERSELBEN LAUTSTÄRKE HÖREN. DIE SCHMERZGRENZE IST IMMER EIN INDIKATOR DAFÜR, DASS DER SCHALLPEGEL ZU LAUT IST UND IHR GEHÖR DAUERHAFT SCHÄDIGEN KANN. BITTE BENUTZEN SIE BEIM EINSTELLEN DER LAUTSTÄRKE IHREN GESUNDEN MENSCHENVERSTAND.

Die KPX-Serie wurde entwickelt, um die extremen Bedingungen von Motorsport und Audioanlagen für den Außenbereich handhaben zu können. Sie liefert eine enorme Leistung und ist weiterhin höchst effizient, was sie ideal für weniger robuste Ladesysteme macht. Sie kann mit jedem KICKER-Produkt kombiniert werden, ob Motorsport-Lautsprecher, Full-Range-Lautsprecher oder die klassischen Aftermarket-Lautsprecher von KICKER. Und lassen Sie sich von dem schmalen, wetterbeständigen Format nicht täuschen: Diese Verstärker haben es in sich.

Spezifikationen

Modell:	KPX500.1	KPX300.4
Dynamische Leistung	750 W	350 W
RMS-Ausgangsleistung		
bei 14,4 V, 4Ω Stereo, ≤ 1 % THD+N		45 W x 4
bei 14,4 V, 2Ω Stereo, ≤ 1 % THD+N		75 W x 4
bei 14,4 V, 4 Ω Mono, ≤ 1 % THD+N	150 W x 1	150 W x 2
bei 14,4 V, 2 Ω Mono, ≤ 1 % THD+N	300 W x 1	
bei 14,4 V, 1 Ω Mono, ≤ 1 % THD+N	500 W x 1	
Frequenzgang [Hz]	10 Hz – 160 Hz	20 Hz – 20 kHz
Wählbare elektronische Frequenzweiche	24 dB/Oktave, variabel Lo-Pass 40–160 Hz	12 dB/Oktave Hi-Pass 60/80/100/120 Hz
KickEQ™ Bass-Boost	Wählbar 0/+6 dB Bass-Boost bei 40 Hz	k. A.
Fader-Ein/Aus-Schalter	k. A.	Ja
Subsonic-Filter	24 dB/Oktave, Variable Hi-Pass 10–40 Hz	k. A.
Ferngesteuerter Bass	Ja, CXARC (nicht im Lieferumfang enthalten)	k. A.
Länge:	8 1/2 Zoll, 21,7 cm	8 1/2 Zoll, 21,7 cm
Höhe:	1 11/16 Zoll, 4,3 cm	1 11/16 Zoll, 4,3 cm
Breite:	3 5/8 Zoll, 9,2 cm	3 5/16 Zoll, 8,4 cm
Signal-Rausch-Verhältnis [dB]	>90 dB, A-bewertet, bezogen auf die Nennleistung	
Signal-Rausch-Verhältnis [dB]	>75 dB (bez.: 1-W-Ausgang)	
Eingangsempfindlichkeit	Niedrigstufig: 125 mV - 5 V Hochstufig: 1 V - 40 V	

Hinweis: Alle Spezifikationen und Leistungsangaben können sich ändern. Die aktuellsten Informationen finden Sie auf **www.kicker.com**. Um die beste Leistung aus Ihrem neuen KICKER-Verstärker herauszuholen, empfehlen wir die Verwendung von Original-KICKER-Zubehör und -Kabeln.

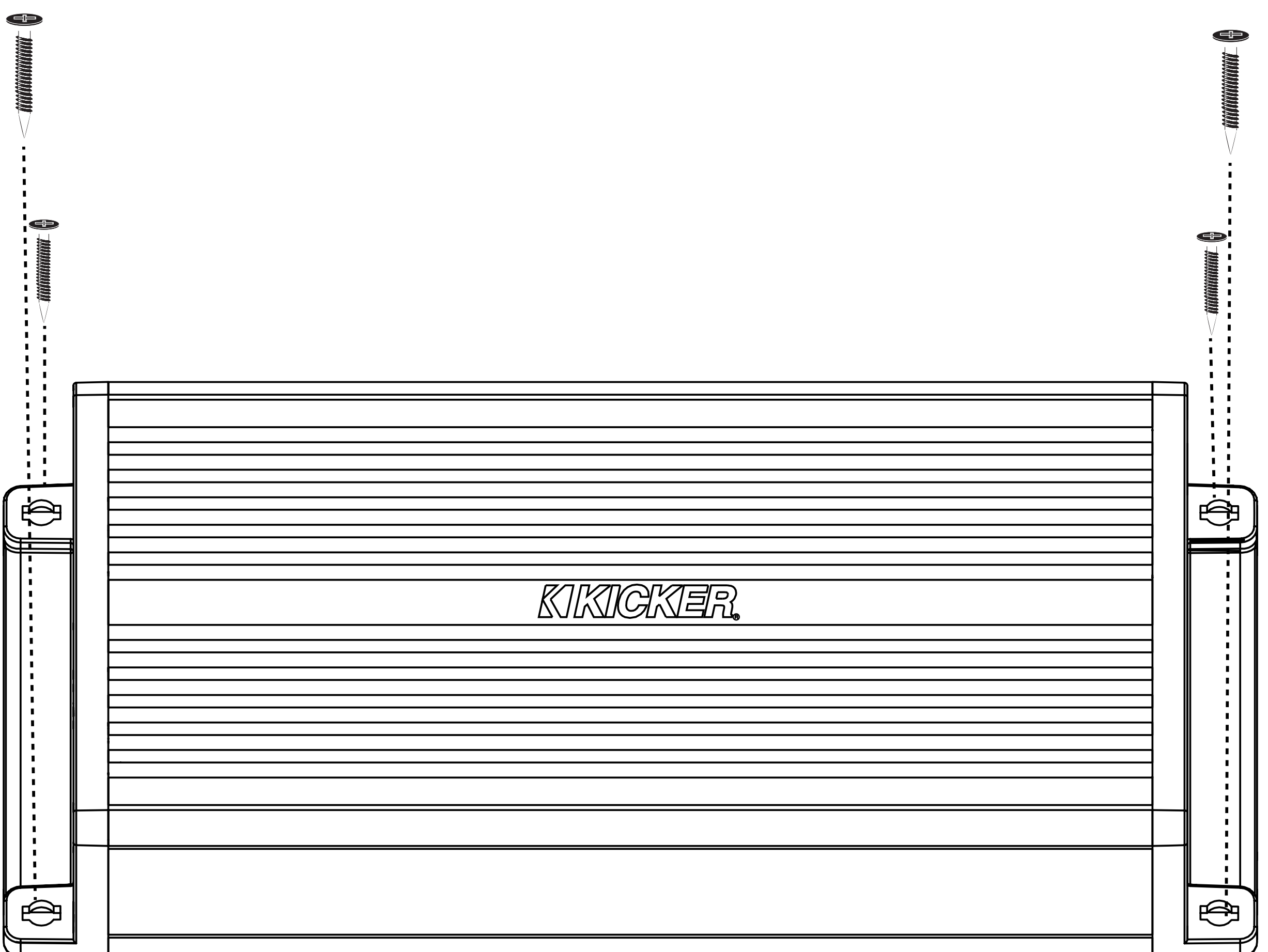
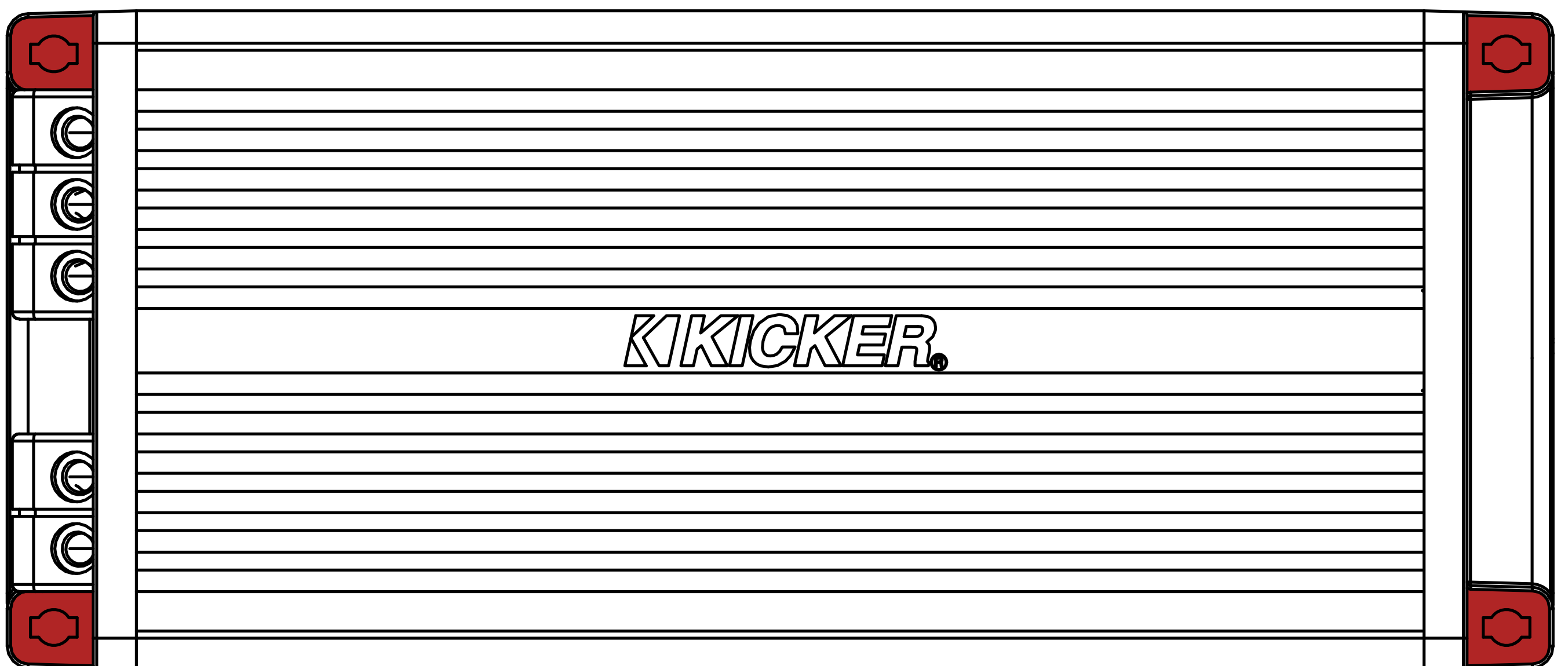
Profi-Tipp: Es fehlen nur noch [PowerSports-Lautsprecher](#) und ein [paar Kabel](#), und schon haben Sie ein Audio-Upgrade, das jedes Werkssystem in den Schatten stellt! Mit den KICKER-Verstärkern können Sie Ihr vorhandenes oder serienmäßiges Quellgerät problemlos auf solide Bässe aufrüsten. Fragen Sie Ihren Händler nach KICKER-Upgrades.

KPX500.1

Installation

Montage

Wählen Sie für die Montage Ihres KICKER-Verstärkers einen geeigneten, stabilen Aufstellort. Vergewissern Sie sich, dass sich hinter dem Bereich, in den die Schrauben eingedreht werden sollen, keine Gegenstände befinden. Wählen Sie einen Standort, der mindestens 10 cm (4 Zoll) offene Belüftung für den Verstärker bietet. Bohren Sie vier Löcher mit einem 3 mm (7/64 Zoll) Bit und verwenden Sie die mitgelieferten #8-Schrauben, um den Verstärker zu montieren.



Verkabelung

[Klicken Sie hier für Verstärker-Installationskits](#)

Modell	Externe Sicherung (separat erhältlich)	Strom-/Erdungskabel	KICKER-Verdrahtungskit
KPX500.1	1 x 60 Ampere	8 Gauge	KMPK8, PK8, CK8

KICKER gewährt eine dreijährige Garantie auf alle Verstärker der KPX-Serie in Verbindung mit einem qualifizierten KICKER-Installationskit*.

Dadurch wird die Standardgarantie um ein weiteres Jahr verlängert. *Verstärker und Kit müssen von einem **autorisierten KICKER-Händler erworben werden.***

Die Verwendung von minderwertigen Kabelsätzen wird die Leistung des KPX-Verstärkers beeinträchtigen. Ein hochwertiges KICKER-Installationskit verlängert garantiert die Lebensdauer der KPX-Verstärker.

Die neue erweiterte Garantie gilt nur für KICKER-Verstärker und -Zubehör, die von autorisierten KICKER-Händlern in den Vereinigten Staaten von Amerika oder deren Territorien an Verbraucher verkauft werden. Sie gilt auch nur für den Erstkäufer von KICKER-Verstärkern und -Zubehör. Pro Verstärker ist eine Garantieverlängerung zulässig, unabhängig von der Anzahl der erworbenen Verstärkereinsätze. Dieses Programm gilt nicht für „B“-Lagerprodukte oder werksüberholte Produkte.

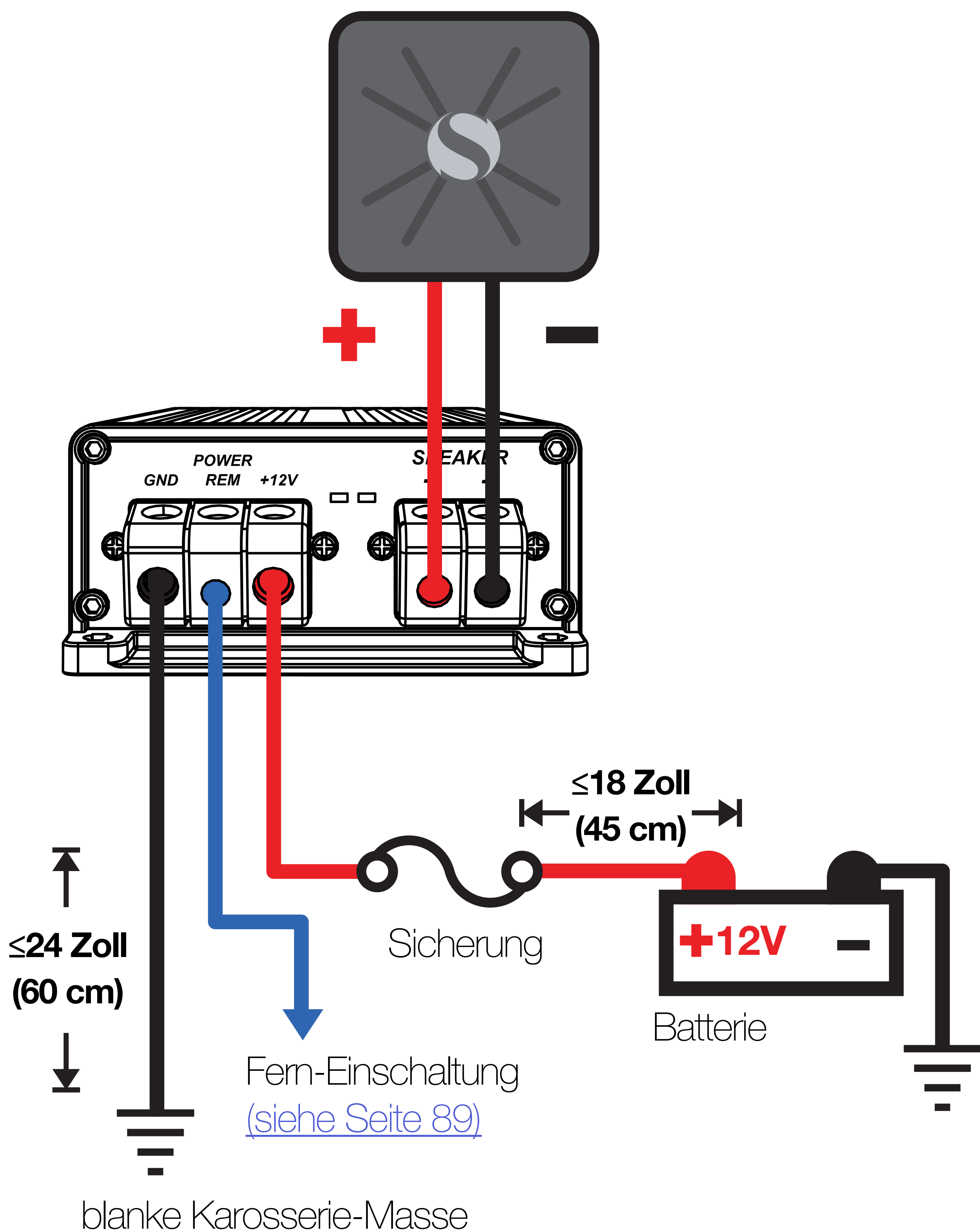
Dieses Angebot gilt nur für eine begrenzte Zeit, also erkundigen Sie sich bald bei Ihrem autorisierten KICKER-Händler vor Ort nach Einzelheiten.

***U.S.A. Only | EE.UU. solamente | Nur USA | Les USA Seulement**

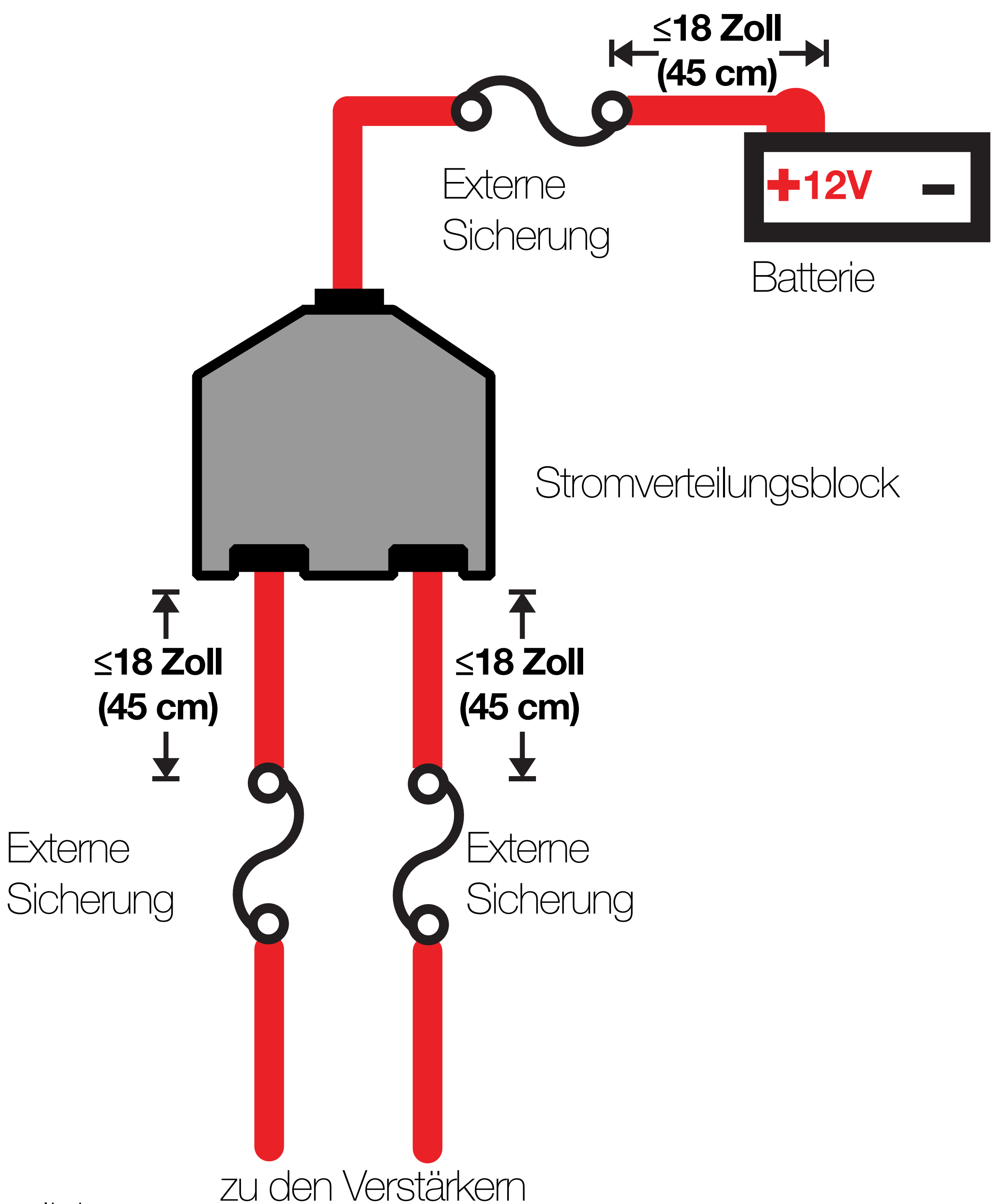
Klemmen Sie die Fahrzeugbatterie ab, um einen elektrischen Kurzschluss zu vermeiden. Eine gute Erdung ist wichtig. Wenn der KPX in der Frontverkleidung eines Motorrads installiert wird, sollte idealerweise das Erdungskabel bis zur Batterie reichen. Verlegen Sie das Erdungskabel kurz, maximal 60 cm, und, falls es nicht mit der Batterie verbunden ist, verbinden Sie es mit einem lack- und korrosionsfreien, massiven Metallbereich des Fahrzeugchassis. Es wird empfohlen, ein zusätzliches Massekabel mit demselben oder einem größeren Querschnitt zwischen dem Minuspol der Batterie und dem Fahrzeugchassis zu verlegen. Halten Sie das Audiosignalkabel von den Werkskabelbäumen und anderen Stromkabeln fern. Wenn Sie diese Verkabelung kreuzen müssen, tun Sie dies in einem 90-Grad-Winkel. Installieren Sie eine

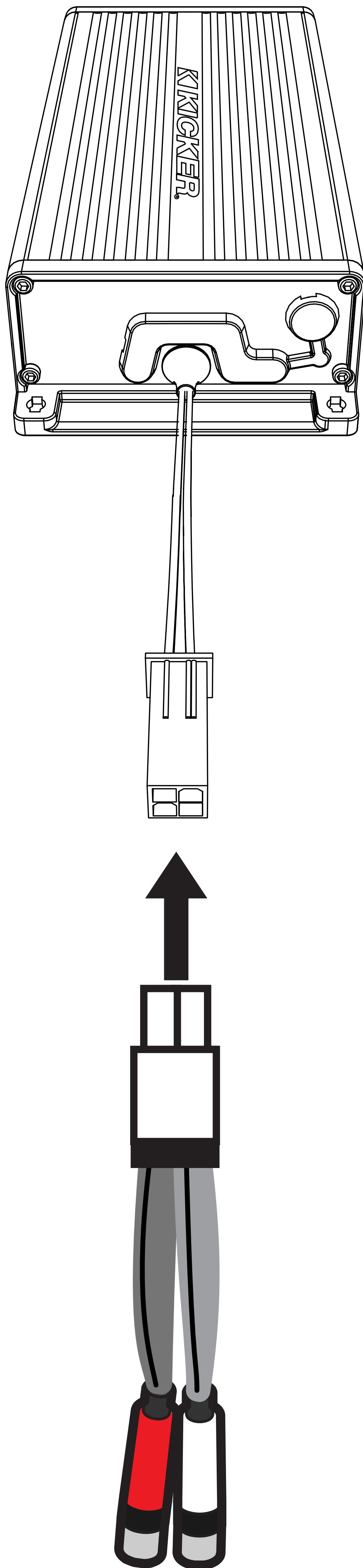


Sicherung am blauen +12-V-Dauerdraht. Die Sicherung sollte so nah wie möglich an der Batterie und nicht weiter als 45 cm (18 Zoll) von der Batterie entfernt und in einer Linie mit dem Stromkabel des Kabelbaums, das mit dem KPX-Verstärker verbunden ist, installiert werden. Stellen Sie sicher, dass das Stromkabel so verlegt ist, dass es nicht beschädigt, gequetscht oder gekürzt wird. Wenn Sie den Verstärker nach der Installation aus dem Fahrzeug ausbauen müssen, sollte das Massekabel das letzte Kabel sein, das vom Verstärker getrennt wird – genau umgekehrt wie bei der Installation.



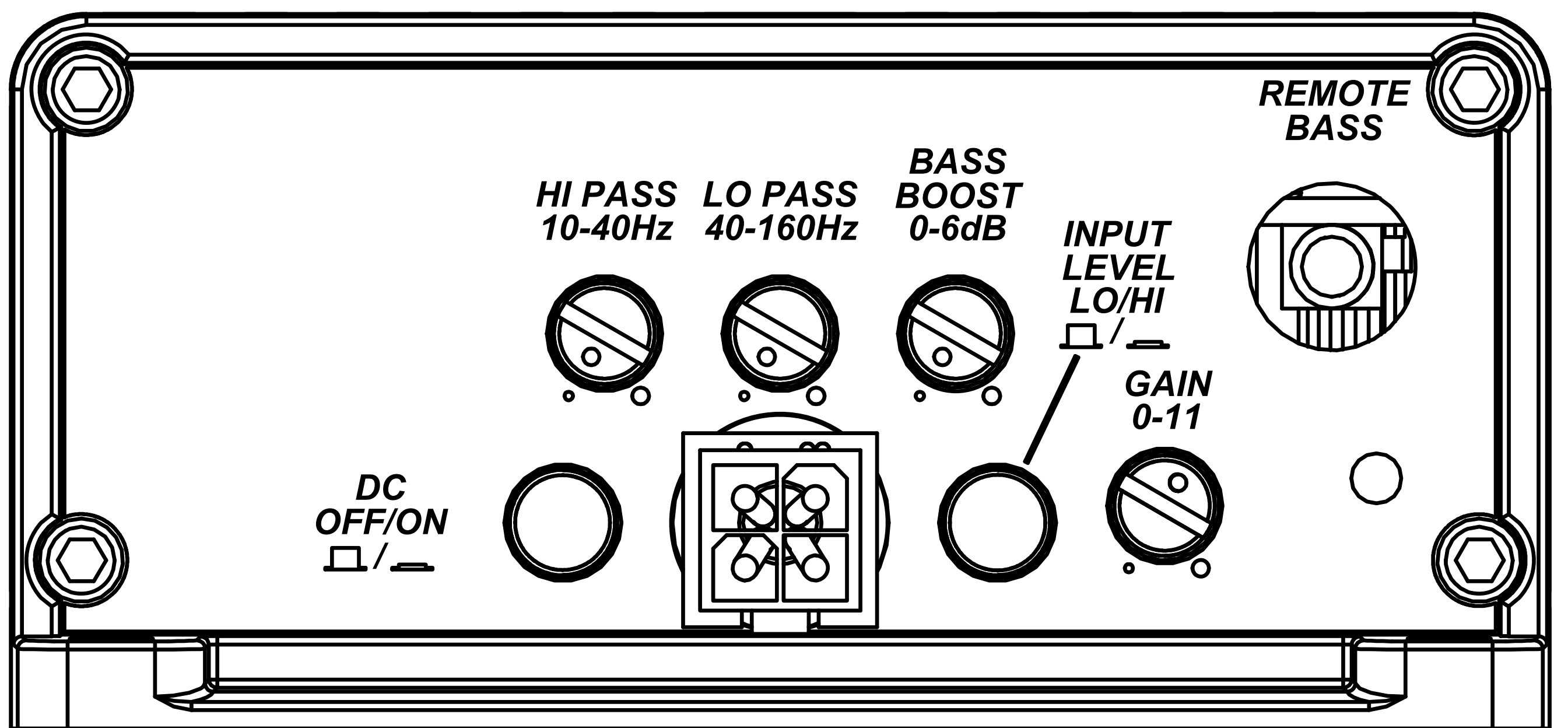
Bei Installationen mit mehreren Verstärkern, bei denen Verteilerblöcke verwendet werden, sollte für jeden Verstärker die entsprechende Sicherung, oder ein Trennschalter, zwischen dem Verstärker und dem Verteilerblock innerhalb eines Abstands von 18 Zoll zum Block oder auf dem Verteilerblock installiert werden, wenn dieser eine Sicherung vorsieht. Das primäre Stromkabel sollte auch zwischen der Batterie und dem Verteilerblock abgesichert werden, und zwar innerhalb eines Abstands von 18 Zoll zum Pluspol der Batterie mit einer Sicherung oder einem Unterbrecher, der mindestens der Summe der Sicherungswerte der einzelnen Verstärker entspricht, aber nicht die Kapazität Ihrer Verkabelung überschreitet.





Schneiden Sie bei Bedarf die Cinch-Anschlüsse ab, um einen Hochpegel-Eingang zu verwenden, oder verwenden Sie den [KICKER KISL Speaker-RCA Converter](#).

Betrieb



Automatische Einschaltung: Die KPX-Serie bietet zwei verschiedene Einschaltmodi; +12 V und DC Offset.

- Fern-Einschaltung: Führen Sie einen 18-Gauge-Draht vom Fern-Einschalt-Draht an Ihrer Quelleinheit zum blauen REM-Draht am Kabelbaum Ihres KPX-Verstärkers.
- Gleichstrom-Offset-Turn-On: Der Gleichstrom-Offset-Modus erkennt einen $>2,5$ -V-Gleichstrom-Offset an den Hochpegel-Lautsprecherausgängen, wenn das Quellgerät eingeschaltet ist. Um den Gleichstrom-Offset-Modus zu verwenden, muss sich der Druckknopf DC OFF/ON in der Position ON oder IN befinden. Im Gleichstrom-Offset-Modus wird die REM-Anschlussklemme zu einem geschalteten +12-V-Ausgang (100 mA), mit dem andere Verstärker und Geräte eingeschaltet werden können.

EINGANGSPEGEL: Die Cinch-Eingänge können entweder Hoch- oder Niederpegelsignale von Ihrem Quellgerät empfangen. Wenn der einzige verfügbare Ausgang Ihres Quellgeräts ein Hi-Level-Signal ist, drücken Sie einfach den Eingangspegelschalter am Verstärker ein. Weitere Anweisungen finden Sie im Abschnitt über die Verkabelung in diesem Handbuch.

EINGANGSVERSTÄRKUNG: Der Eingangsverstärkungsregler ist kein Lautstärkeregel. Er passt den Ausgang des Quellgeräts an den Eingangsspegel des Verstärkers an. Maximale Leistungsausgabe vom Verstärker ist möglich mit der niedrigsten Verstärkungseinstellung. Wenn die Verstärkung nicht korrekt eingestellt ist, kann dies zu verzerrter Ausgabe oder zu Beschädigung oder dem vorzeitigen Ausfall Ihrer Lautsprecher führen. Für eine schnelle Einrichtung können Sie die Quelleinheit bis auf 3/4 der Lautstärke einstellen (wenn die Quelleinheit bis 30 geht, gehen Sie bis 25). Drehen Sie die Verstärkung am Verstärker (im Uhrzeigersinn) langsam auf, bis Sie eine Verzerrung hören können, und drehen Sie sie dann etwas herunter.

Um die bevorzugte Methode für die Einstellung der Verstärkung zu verwenden, legen Sie ein Voltmeter oder ein Oszilloskop an, drehen Sie den Verstärker hoch und trennen Sie alle Lautsprecher vom Verstärker. Drehen Sie den Verstärkungsregler (gegen den Uhrzeigersinn) und alle Frequenzweichenregler vollständig herunter oder auf die Einstellung mit der niedrigsten Effektivität. Falls ein Remote-Bass-Zubehörgerät an den Verstärker angeschlossen ist, drehen Sie es vollständig auf (im Uhrzeigersinn). Stellen Sie sicher, dass alle EQ- und DSP-Einstellungen an der Quelleinheit, wie etwa Bass, Höhen, Fader, Sitzposition usw., auf Linear, Flach, Mittig

oder Aus eingestellt sind. Schalten Sie den Verstärker ein. Spielen Sie eine 0-dB-Sinuswelle über Ihre Quelleinheit ab und erhöhen Sie die Lautstärke auf etwa 3/4 des Maximums. Sinuswellen-Tracks können kostenlos von KICKER.com unter der Registerkarte „Support“ [heruntergeladen werden](#). Verwenden Sie die 50-Hz-Sinuswelle, um die Verstärkung für einen Subwoofer einzustellen, und die 1-kHz-Sinuswelle für Full-Range-Lautsprecher. Richten Sie Ihr Voltmeter oder Ihr Oszilloskop ein, um die Wechselspannung (AC) zu messen. Platzieren Sie die Sonden des Voltmeters auf den Lautsprecher-Abgangsklemmen des Verstärkers. Drehen Sie bei laufender Sinuswelle den Verstärkungsregler langsam im Uhrzeigersinn und beobachten Sie den Anstieg der Wechselspannung (AC) auf dem Voltmeter.

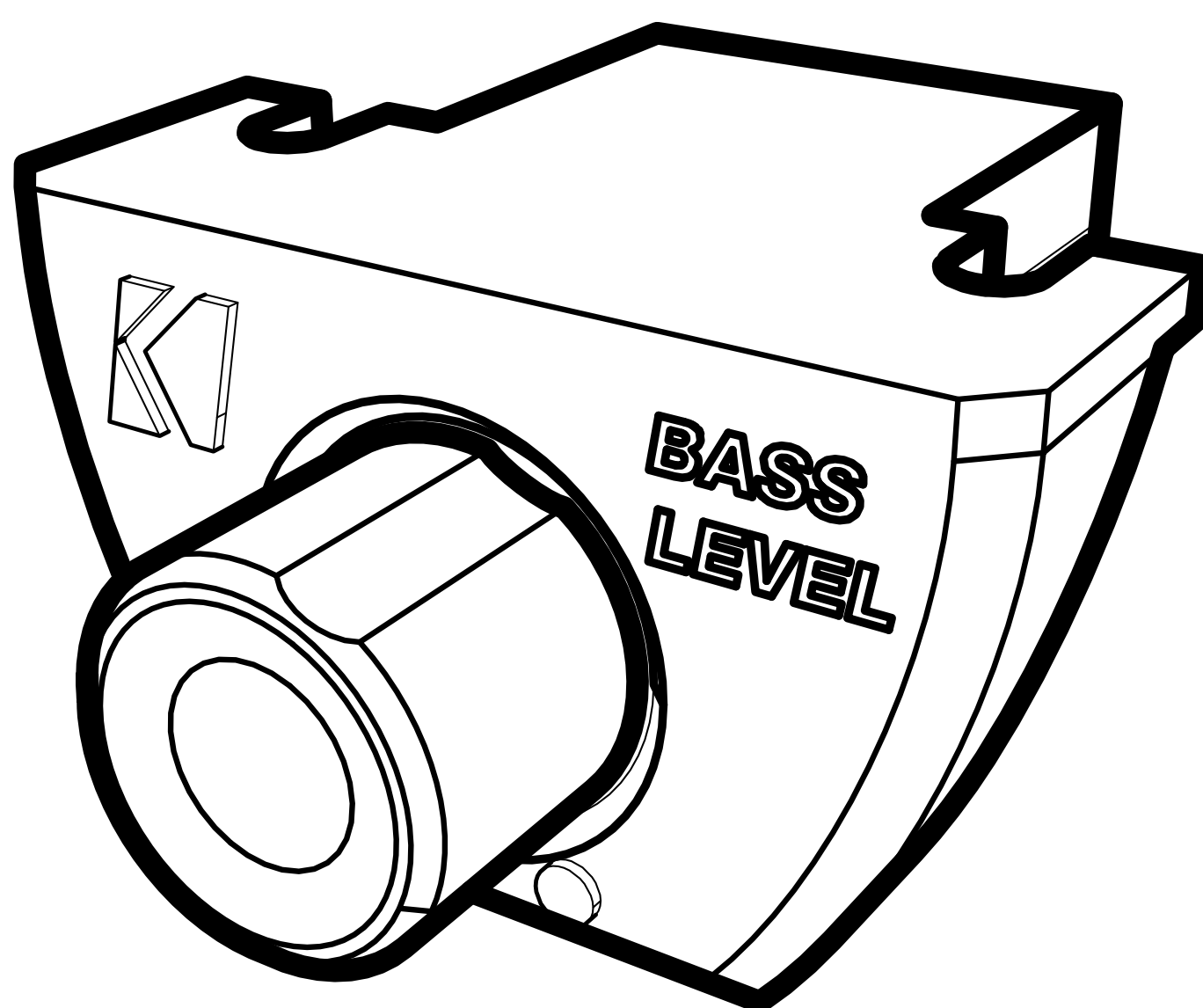
Wenn die gewünschte Spannung angezeigt wird (vgl. die [Leistungstabelle auf KICKER.com](#) oder wenn die Wellenform quadratisch wird, stoppen Sie die Erhöhung der Verstärkung, schalten Sie den Verstärker aus, schließen Sie alle Lautsprecher wieder an und legen Sie die Frequenzweichen für Ihre gewünschte Einstellung fest. Ihre Verstärkung ist jetzt für maximale, unbeschränkte Leistung vom Verstärker eingestellt. Wenn Sie die Amplitude mit den Einstellungen an der Quelleinheit oder dem Bass-Boost am Verstärker erhöhen, kommt es zu Verzerrung, und Sie werden diese Schritte wiederholen müssen.

HI-PASS (Subsonic-Filter): Verwenden Sie den HI-PASS-Regler des Verstärkers, um die interne Hochpassfrequenzweiche von 10 bis 40 Hz einzustellen. Der Verstärker lässt Audiosignale oberhalb der gewählten Frequenzschwelle durch. Dies dient zum Schutz des Subwoofer-Treibers vor Übersteuerung durch extrem tiefe Frequenzen. In der Regel sollte der Wert eine Oktave unter der Abstimmfrequenz des Gehäuses liegen (wenn die Box z. B. auf 40 Hz gestimmt ist, sollten Sie 20 Hz einstellen).

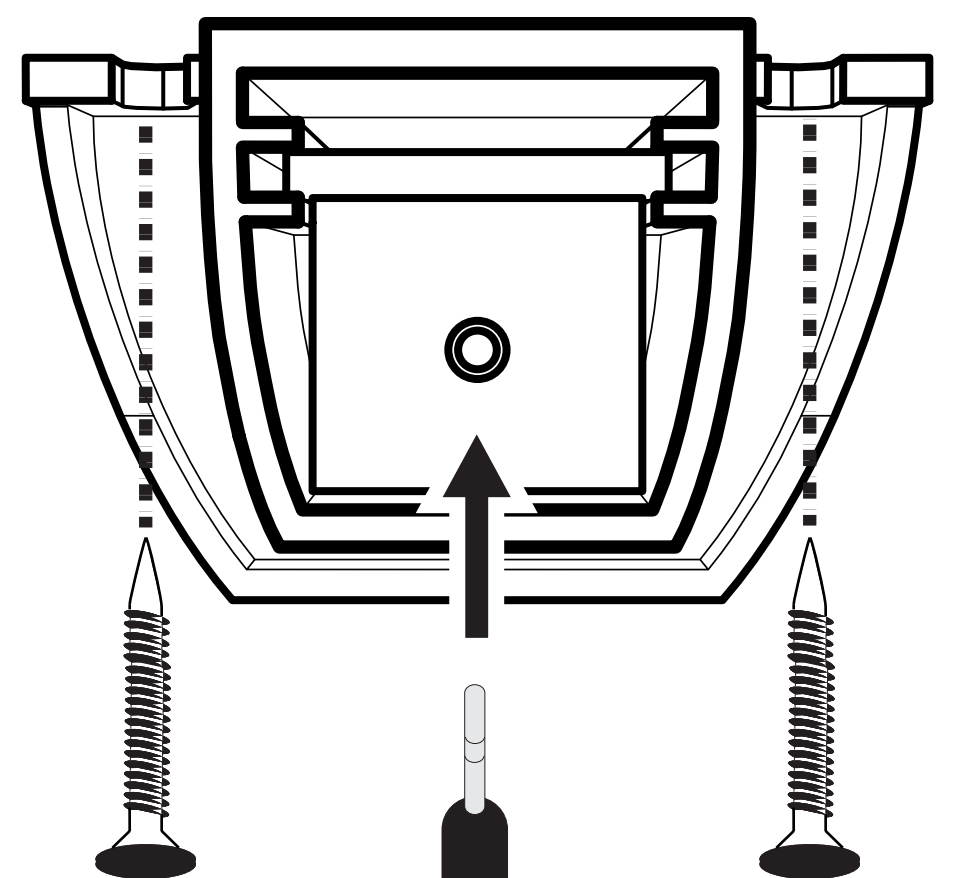
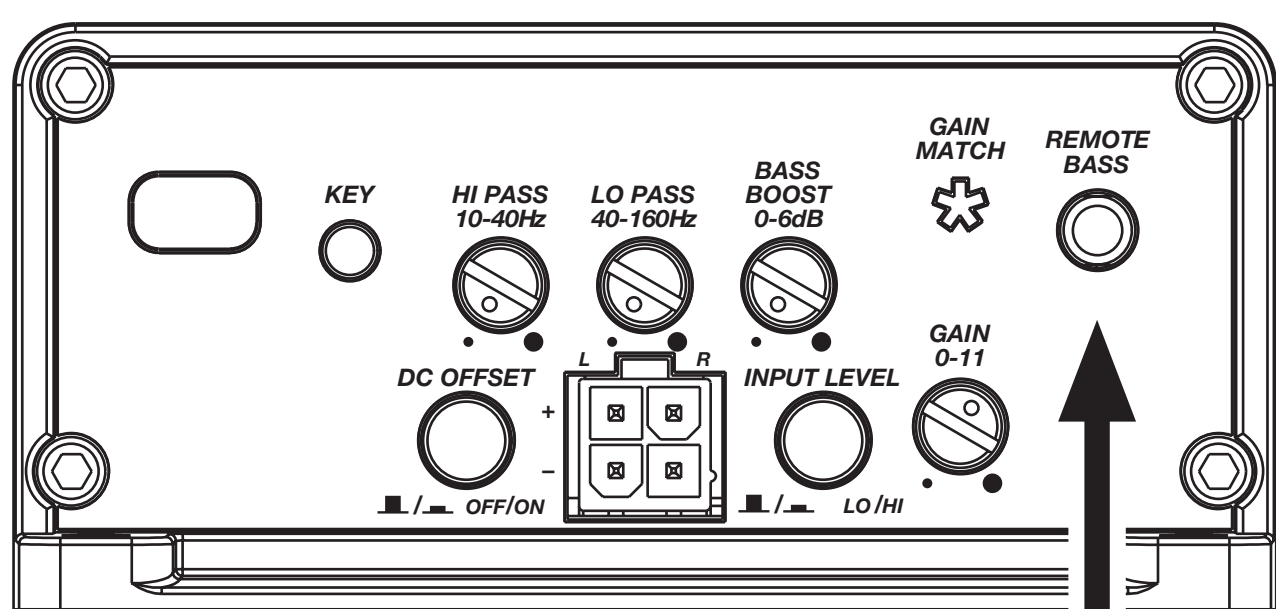
LO-PASS: Verwenden Sie den LO-PASS-Drehregler des Verstärkers, um die interne Tiefpass-Frequenzweiche von 40-160 Hz einzustellen. Der Verstärker lässt Audiosignale unterhalb der gewählten Frequenzschwelle durch. Der Subwoofer sollte nur tiefe Subbass-Töne wiedergeben. Wenn Sie Gesang aus dem Subwoofer hören, versuchen Sie, den Crossover-Punkt zu senken, bis nur noch der Subbass zu hören ist.

BASS BOOST: Der variable Bass-Boost-Regler an der Seite des Verstärkers ist so konzipiert, dass er die Ausgangsleistung bei 40 Hz um 0-6 dB erhöht. Die Einstellung für dieses Steuerelement ist subjektiv. Wenn Sie ihn aufdrehen, müssen Sie den Eingangsverstärkungsregler neu einstellen, damit der Verstärker nicht übersteuert wird.

FERNBEDIENBARER BASS: Mit der optionalen CXARC-Bass-Fernsteuerung können Sie den Ausgangspegel des Verstärkers aus der Ferne steuern. Zur Aufbaumontage des Fernbedienungs-Bassreglers schrauben Sie die Fernbedienung einfach an die gewünschte Stelle und führen das Kabel vom Regler zur „Remote Bass“-Buchse auf dem Verstärkerpanel. Wenn die Signalverstärkung des Verstärkers richtig eingestellt ist, können Sie mit diesem Basspegelregler den Subwoofer-Pegel bis zum Punkt der maximalen, unverzerrten Ausgabe verringern oder erhöhen.



Montieren Sie die CXARC-Fernbedienung mit den mitgelieferten Schrauben auf der Oberfläche.



Rückansicht

Fehlerbehebung

Wenn Ihr Verstärker nicht zu funktionieren scheint, überprüfen Sie zuerst die offensichtlichen Dinge, wie z. B. durchgebrannte Sicherungen, schlechte oder falsche Verkabelung, falsche Einstellung der Frequenzweichenschalter und Verstärkungsregler usw. An der Seitenwand Ihres KICKER-Verstärkers der KPX-Baureihe befinden sich LEDs für die Stromversorgung (PWR) und den Schutz (PRT). Je nach Zustand des Verstärkers und des Ladesystems des Fahrzeugs leuchten die LEDs entweder grün oder rot. Wenn die grüne LED leuchtet, bedeutet dies, dass der Verstärker eingeschaltet ist und keine Störung vorliegt.

Grüne LED aus, keine Ausgabe? Überprüfen Sie mit einem Volt-Ohm-Meter (VOM) die folgenden Punkte: +12-Volt-Stromanschluss (sollte +12 V bis +16 V anzeigen) Fernschaltanschluss (sollte +12 V bis +16 V anzeigen) Vergewissern Sie sich, ob die Strom- und Erdungsanschlüsse vertauscht sind Prüfen Sie den Erdungsanschluss auf ordnungsgemäße Leitfähigkeit.

Grüne LED an, keine Ausgabe? Überprüfen Sie Folgendes: RCA-Anschlüsse Testen Sie die Lautsprecherausgänge mit einem „bekanntem“, ordnungsgemäß funktionierendem Lautsprecher. Ersetzen Sie das Quellgerät durch ein „bekanntes“, ordnungsgemäß funktionierendes Quellgerät. Prüfen Sie, ob das RCA-Kabel, das den Verstärker speist, ein Signal liefert, indem Sie das VOM-Meter auf „Wechselspannung“ einstellen. Verwenden Sie einen 50-Hz-Testton.

Rote (PRT) LED flackert bei lauter Musik? Die rote (PRT) LED zeigt eine niedrige Batteriespannung an. Überprüfen Sie alle Verbindungen im Ladesystem Ihres Fahrzeugs. Es kann erforderlich sein, die Batterie Ihres Fahrzeugs zu ersetzen oder aufzuladen oder die Lichtmaschine Ihres Fahrzeugs zu ersetzen.

Rote (PRT) LED leuchtet, keine Ausgabe? Verstärker ist sehr heiß = Überhitzungsschutz ist aktiviert. Prüfen Sie die korrekte Impedanz an den Lautsprecherklemmen mit einem VOM-Meter, das auf „DC Resistance“ (Gleichstromwiderstand) eingestellt ist (siehe die Diagramme in diesem Handbuch für die empfohlene Mindestimpedanz und Vorschläge für die Verkabelung mehrerer Lautsprecher). Prüfen Sie auch, ob der Luftstrom um den Verstärker herum ausreichend ist. Verstärker schaltet sich nur bei laufendem Fahrzeug ab = Spannungsschutzschaltung ist aktiviert. Die Spannung am Verstärker liegt nicht innerhalb des Betriebsbereichs von 6-16 Volt. Lassen Sie das Lade- und Elektrosystem des Fahrzeugs überprüfen. Der Verstärker spielt nur bei geringer Lautstärke = Kurzschlusschutz ist aktiviert. Prüfen Sie, ob die Lautsprecherkabel untereinander oder mit der Fahrzeugkarosserie kurzgeschlossen sind. Überprüfen Sie, ob die Lautsprecher beschädigt sind oder ob sie unter der empfohlenen Mindestimpedanz arbeiten.

Keine oder leise Ausgabe? Prüfen Sie die Balance- und Faderregler am Quellgerät. Überprüfen Sie die RCA- (oder Lautsprechereingangs-) und Lautsprecherausgangsverbindungen. Überprüfen Sie die Lautstärke an Ihrem Quellgerät, einschließlich der Lautstärke angeschlossener Telefone oder MP3-Player.

Heulendes Lichtmaschinengeräusch bei Motordrehzahl? Prüfen Sie, ob das RCA-Kabel (oder das Lautsprechereingangskabel) beschädigt ist Prüfen Sie die Verlegung des RCA-Kabels (oder des Lautsprechereingangskabels) Prüfen Sie, ob das Quellgerät richtig geerdet ist Prüfen Sie die Verstärkungseinstellungen und drehen Sie sie herunter, wenn sie zu hoch eingestellt sind.

VORSICHT: Achten Sie bei der Starthilfe darauf, dass die Anschlüsse der Starthilfekabel korrekt angeschlossen sind. Unsachgemäße Anschlüsse können zu durchgebrannten Verstärkersicherungen sowie zum Ausfall anderer kritischer Systeme im Fahrzeug führen.

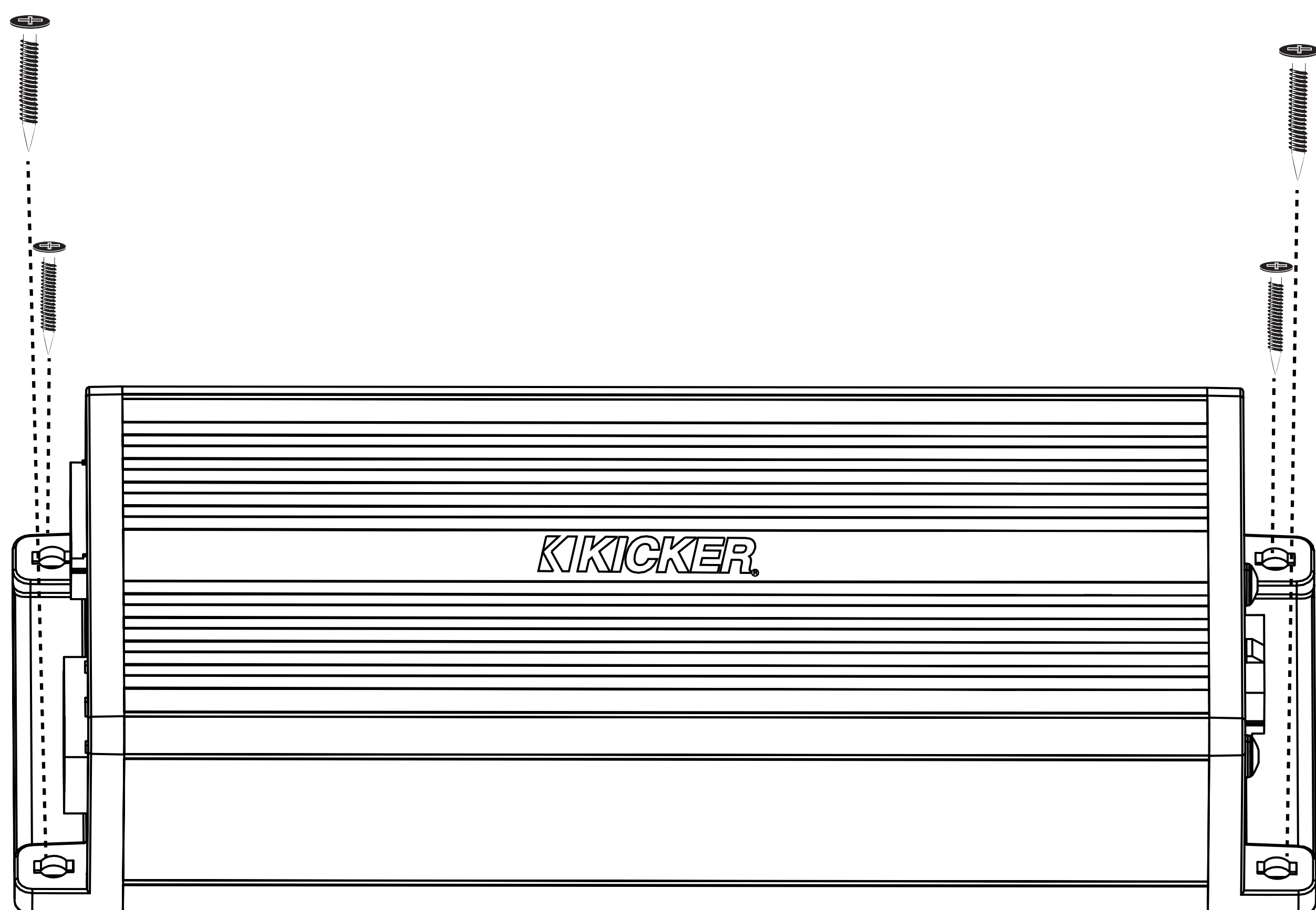
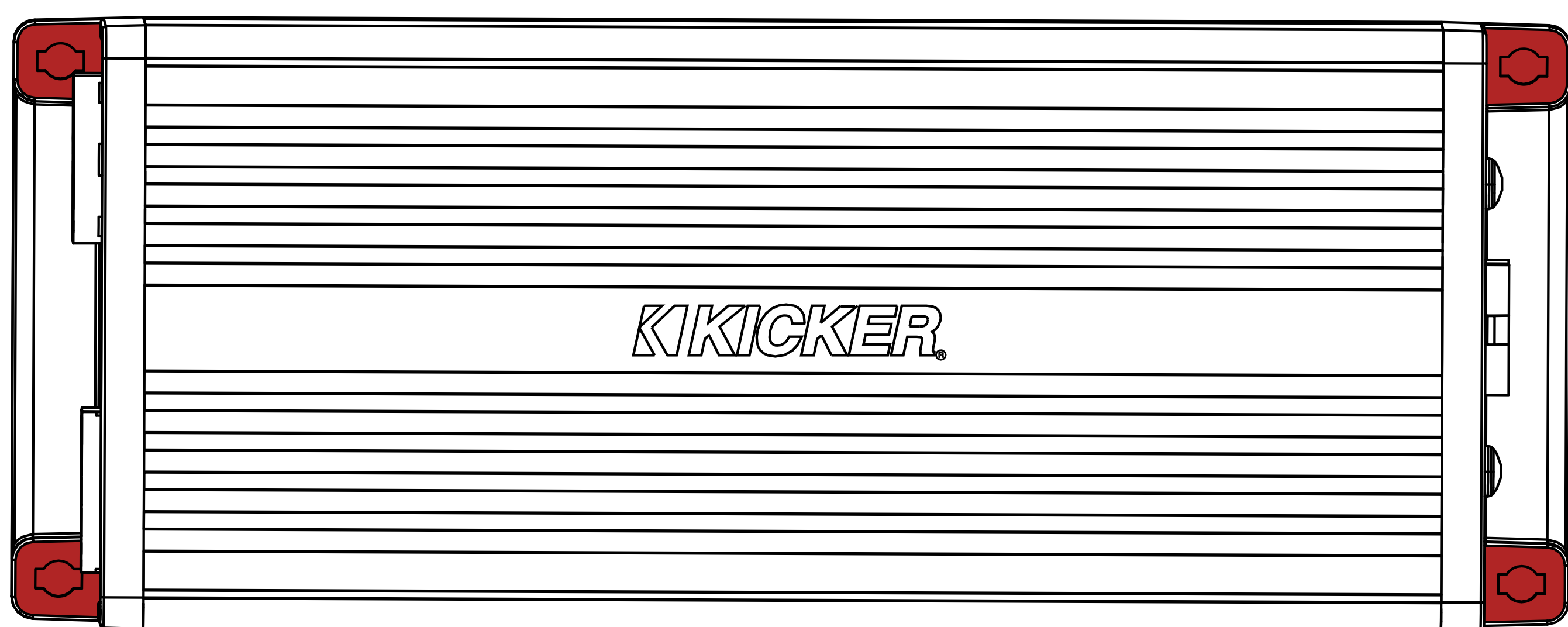
Wenn Sie weitere Fragen zur Installation oder zum Betrieb Ihres neuen KICKER-Produkts haben, wenden Sie sich an den autorisierten KICKER-Händler, bei dem Sie Ihr Produkt gekauft haben. Weitere Tipps zur Installation finden Sie auf der KICKER-Homepage unter der Registerkarte SUPPORT **www.KICKER.com**. Wählen Sie die Registerkarte TECHNISCHE UNTERSTÜTZUNG, wählen Sie das Thema, das Sie interessiert, und laden Sie dann die entsprechenden Informationen herunter oder rufen Sie sie auf. Bitte senden Sie eine E-Mail an support@KICKER.com oder rufen Sie den Technischen Kundenservice unter (405) 624-8583 an, wenn Sie spezifische oder unbeantwortete Fragen haben.

KPX300.4

Installation

Montage

Wählen Sie für die Montage Ihres KICKER-Verstärkers einen statisch einwandfreien Ort. Vergewissern Sie sich, dass sich hinter dem Bereich, in den die Schrauben eingedreht werden sollen, keine Gegenstände befinden. Wählen Sie einen Standort, der mindestens 10 cm (4 Zoll) offene Belüftung für den Verstärker bietet. Bohren Sie vier Löcher mit einem 3 mm (7/64 Zoll) Bit und verwenden Sie die mitgelieferten #8-Schrauben, um den Verstärker zu montieren.



Leistungsverdrahtung

[Klicken Sie hier für Verstärker-Installationskits](#)

Modell	Externe Sicherung (separat erhältlich)	Strom-/Erdungskabel	KICKER-Verdrahtungskit
KPX300.4	1 x 40 Ampere	8 Gauge	KMPK8, PK8, CK8

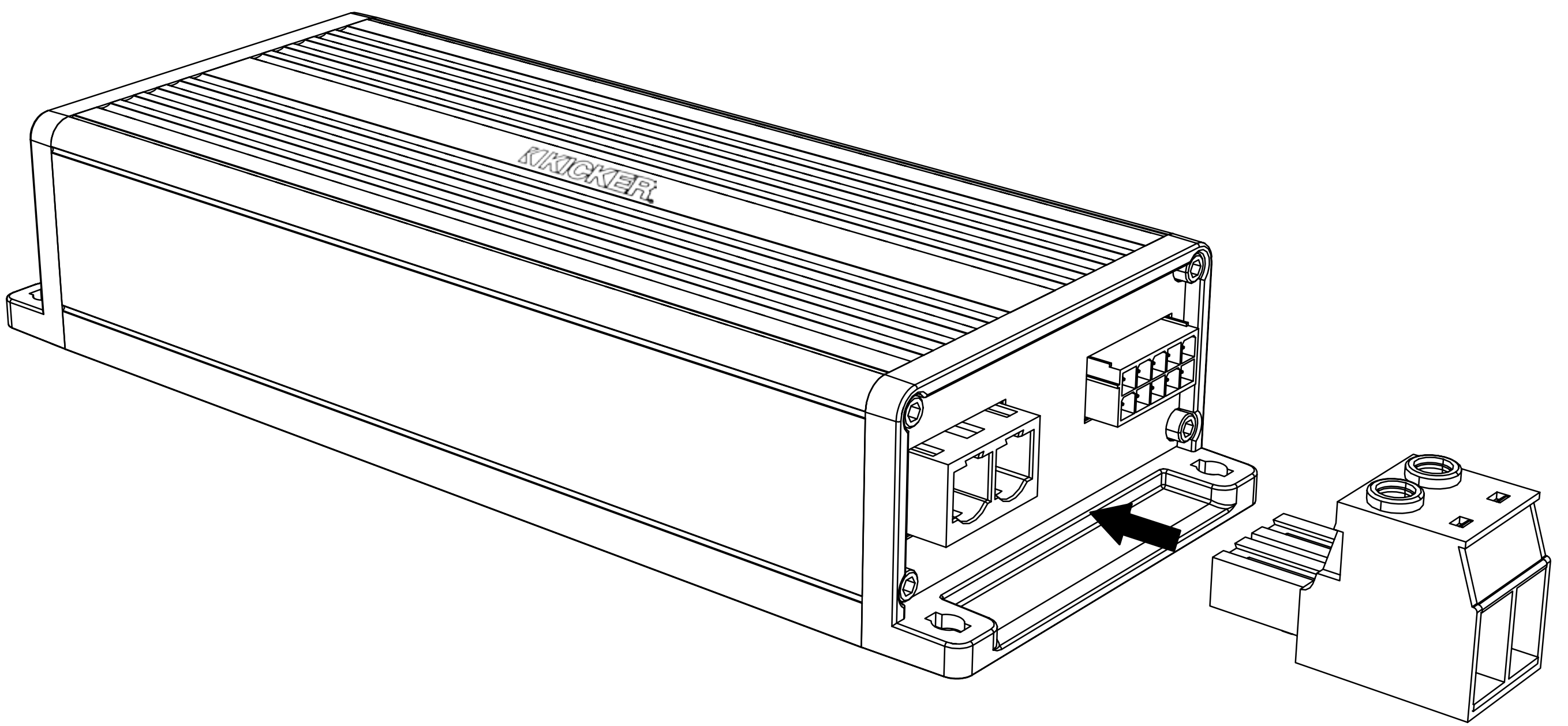
KICKER gewährt eine dreijährige Garantie auf alle Verstärker der KPX-Serie in Verbindung mit einem qualifizierten KICKER-Installationskit*.

Dadurch wird die Standardgarantie um ein weiteres Jahr verlängert. *Verstärker und Kit müssen von einem **autorisierten KICKER-Händler erworben werden.***

Die Verwendung von minderwertigen Kabelsätzen wird die Leistung des KPX-Verstärkers beeinträchtigen. Ein hochwertiges KICKER-Installationskit verlängert garantiert die Lebensdauer der KPX-Verstärker.

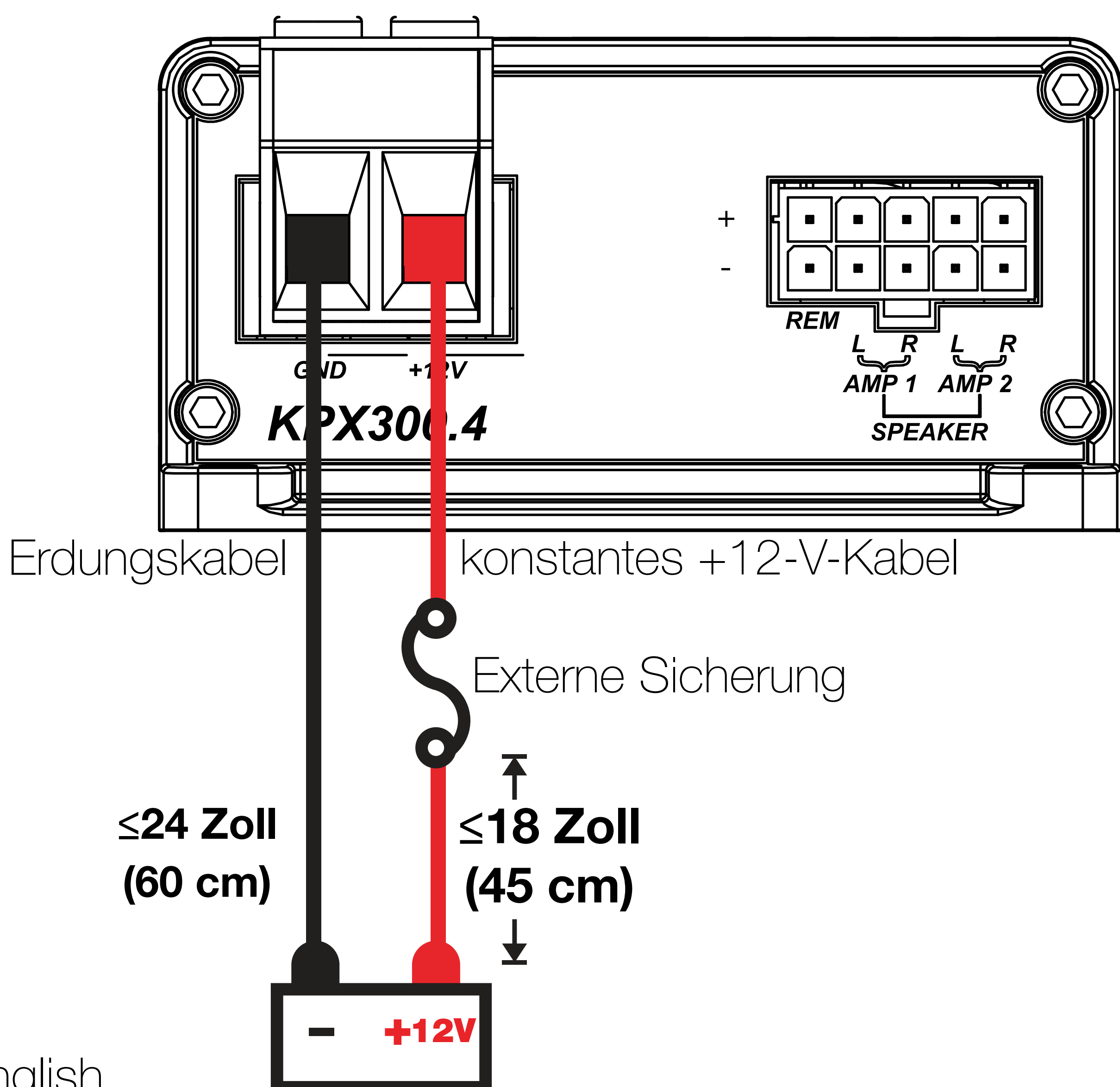
Die neue erweiterte Garantie gilt nur für KICKER-Verstärker und -Zubehör, die von autorisierten KICKER-Händlern in den Vereinigten Staaten von Amerika oder deren Territorien an Verbraucher verkauft werden. Sie gilt auch nur für den Erstkäufer von KICKER-Verstärkern und -Zubehör. Pro Verstärker ist eine Garantieverlängerung zulässig, unabhängig von der Anzahl der erworbenen Verstärkereinsatzteile. Dieses Programm gilt nicht für „B“-Lagerprodukte oder werksüberholte Produkte. Dieses Angebot gilt nur für eine begrenzte Zeit, also erkundigen Sie sich bald bei Ihrem autorisierten KICKER-Händler vor Ort nach Einzelheiten.

***U.S.A. Only | EE.UU. solamente | Nur USA | Les USA Seulement**

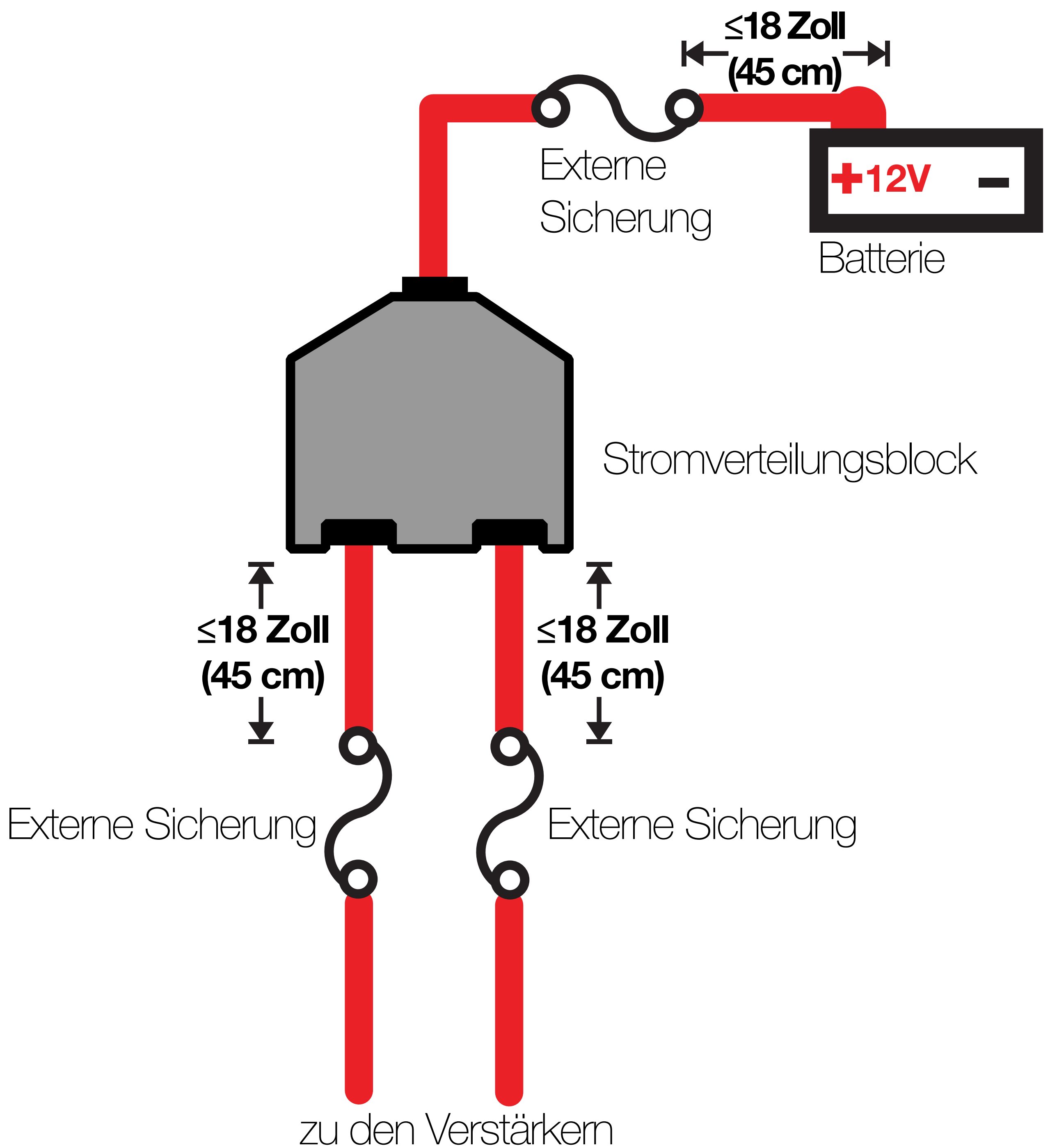


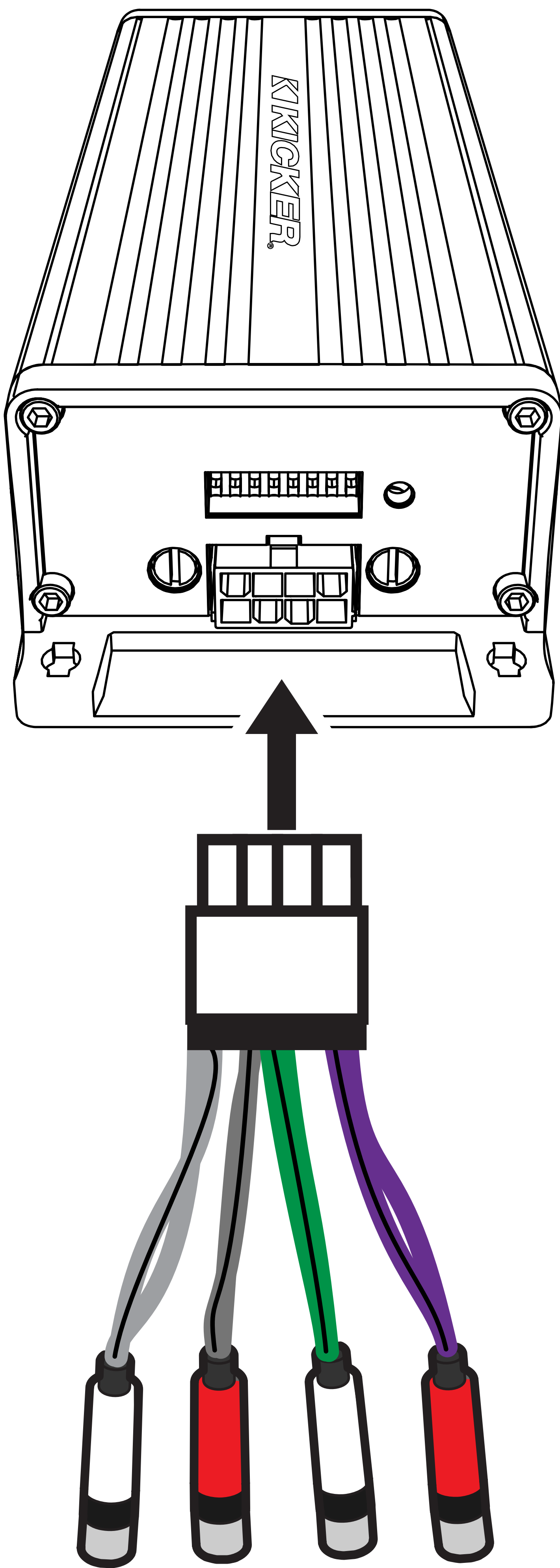
Installieren Sie zunächst die Anschlussklemme für Stromversorgung und Erdung des KPX. Klemmen Sie die Fahrzeugbatterie ab, um einen elektrischen Kurzschluss zu vermeiden. Eine gute Erdung ist wichtig. Wenn der KPX in der Frontverkleidung eines Motorrads installiert wird, sollte idealerweise das Erdungskabel bis zur Batterie reichen. Verlegen Sie das Erdungskabel kurz, maximal 60 cm, und, falls es nicht mit der Batterie verbunden ist, verbinden Sie es mit einem lack- und korrosionsfreien, massiven Metallbereich des Fahrzeugchassis. Es wird empfohlen, ein zusätzliches Massekabel mit

demselben oder einem größeren Querschnitt zwischen dem Minuspol der Batterie und dem Fahrzeugchassis zu verlegen. Halten Sie das Audiosignalkabel von den Werkskabelbäumen und anderen Stromkabeln fern. Wenn Sie diese Verkabelung kreuzen müssen, tun Sie dies in einem 90-Grad-Winkel. Installieren Sie eine Sicherung am blauen +12-V-Dauerdraht. Die Sicherung sollte so nah wie möglich an der Batterie und nicht weiter als 45 cm (18 Zoll) von der Batterie entfernt und in einer Linie mit dem Stromkabel des Kabelbaums, das mit dem KPX-Verstärker verbunden ist, installiert werden. Stellen Sie sicher, dass das Stromkabel so verlegt ist, dass es nicht beschädigt, gequetscht oder gekürzt wird. Wenn Sie den Verstärker nach der Installation aus dem Fahrzeug ausbauen müssen, sollte das Massekabel das letzte Kabel sein, das vom Verstärker getrennt wird – genau umgekehrt wie bei der Installation.



Bei Installationen mit mehreren Verstärkern, bei denen Verteilerblöcke verwendet werden, sollte für jeden Verstärker die entsprechende Sicherung, oder ein Trennschalter, zwischen dem Verstärker und dem Verteilerblock innerhalb eines Abstands von 18 Zoll zum Block oder auf dem Verteilerblock installiert werden, wenn dieser eine Sicherung vorsieht. Das primäre Stromkabel sollte auch zwischen der Batterie und dem Verteilerblock abgesichert werden, und zwar innerhalb eines Abstands von 18 Zoll zum Pluspol der Batterie mit einer Sicherung oder einem Unterbrecher, der mindestens der Summe der Sicherungswerte der einzelnen Verstärker entspricht, aber nicht die Kapazität Ihrer Verkabelung überschreitet.

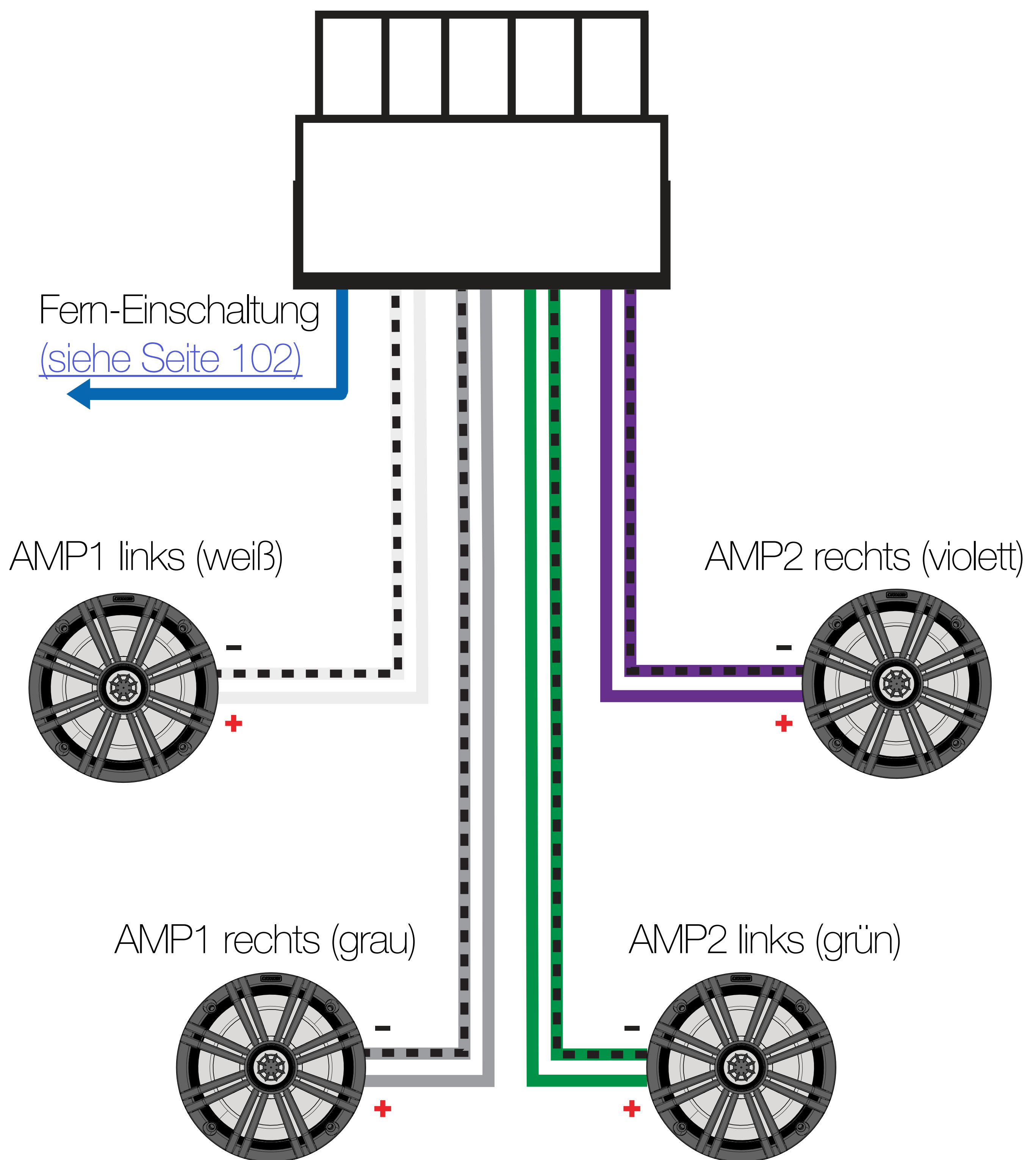
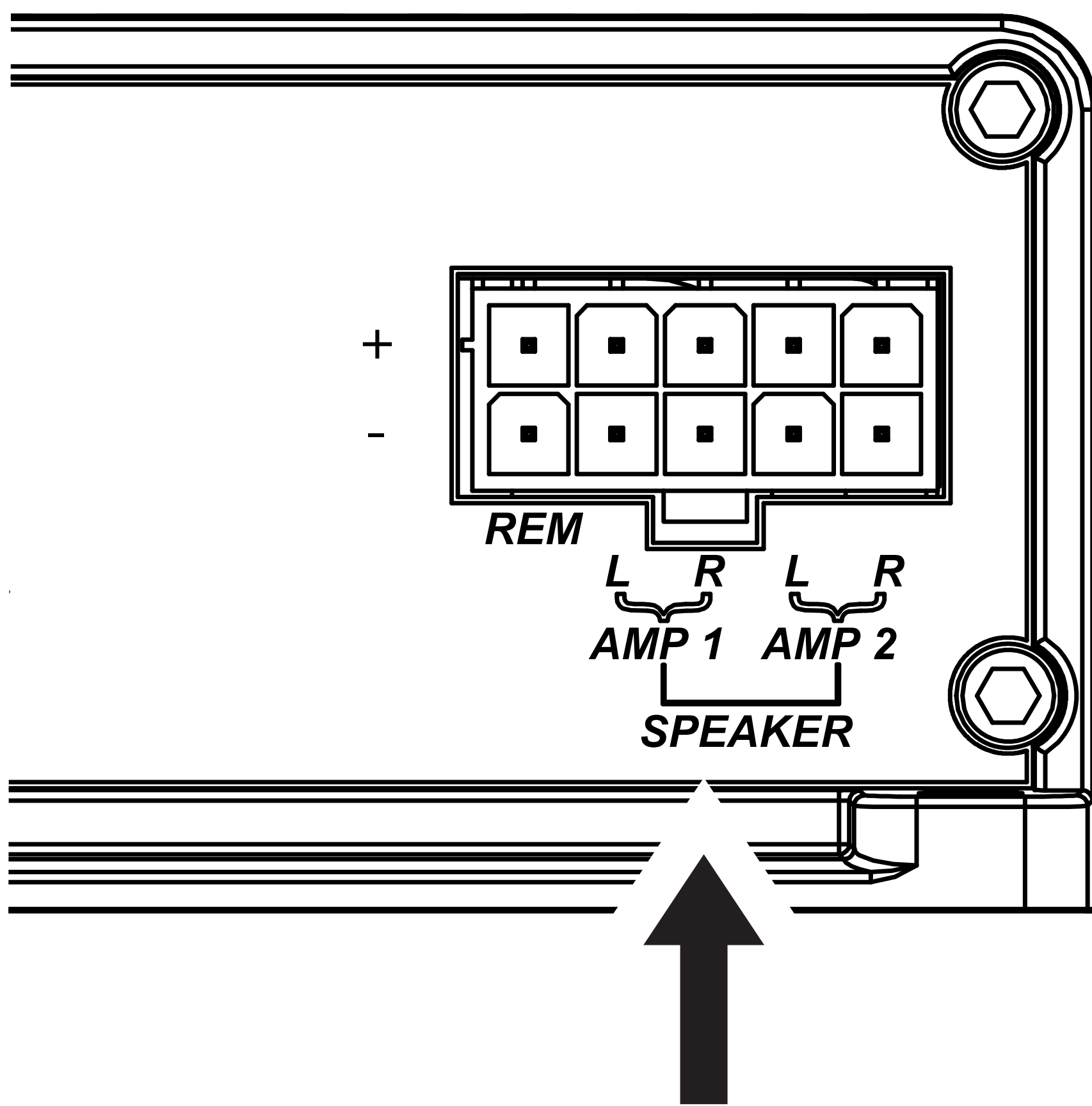




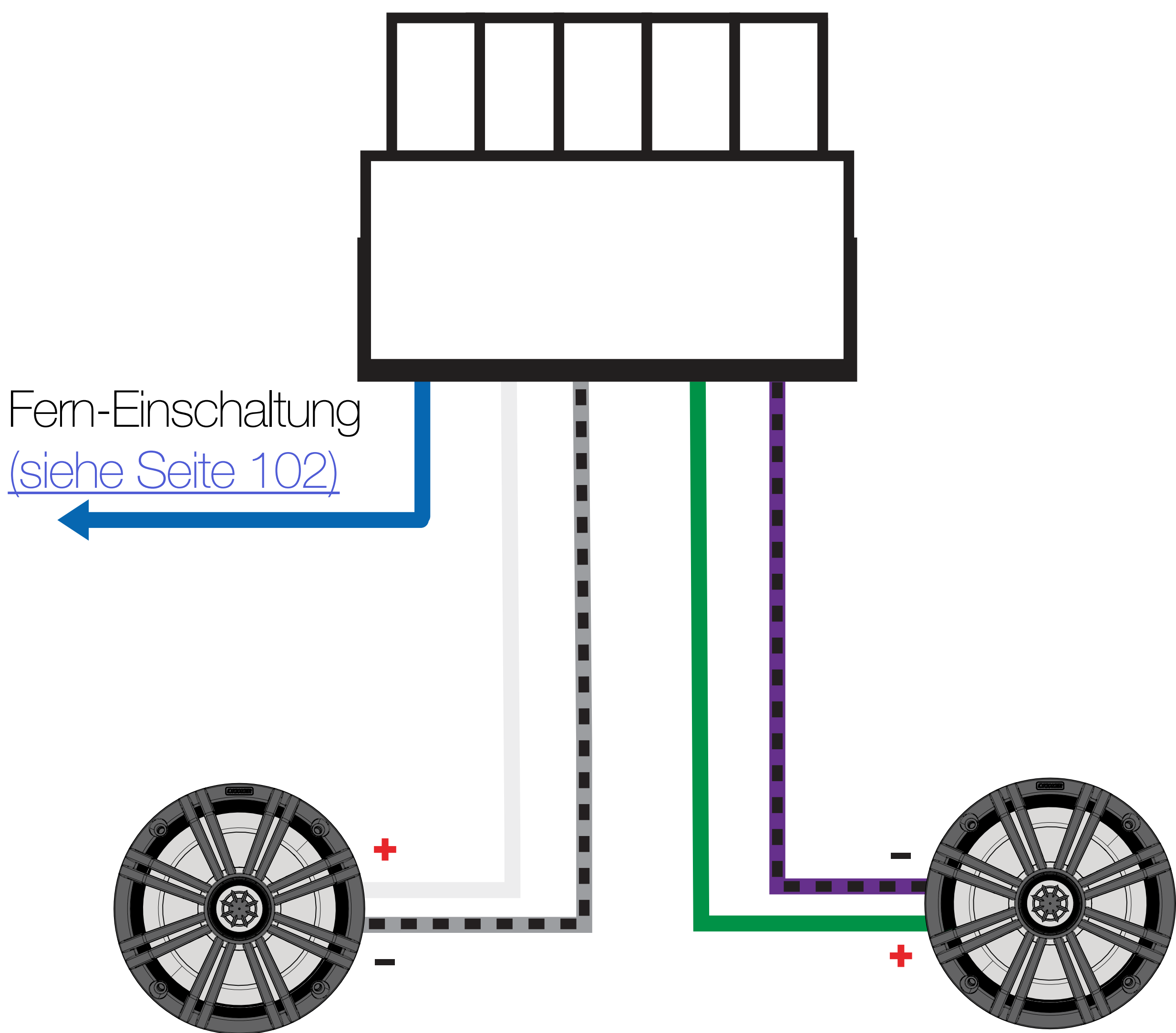
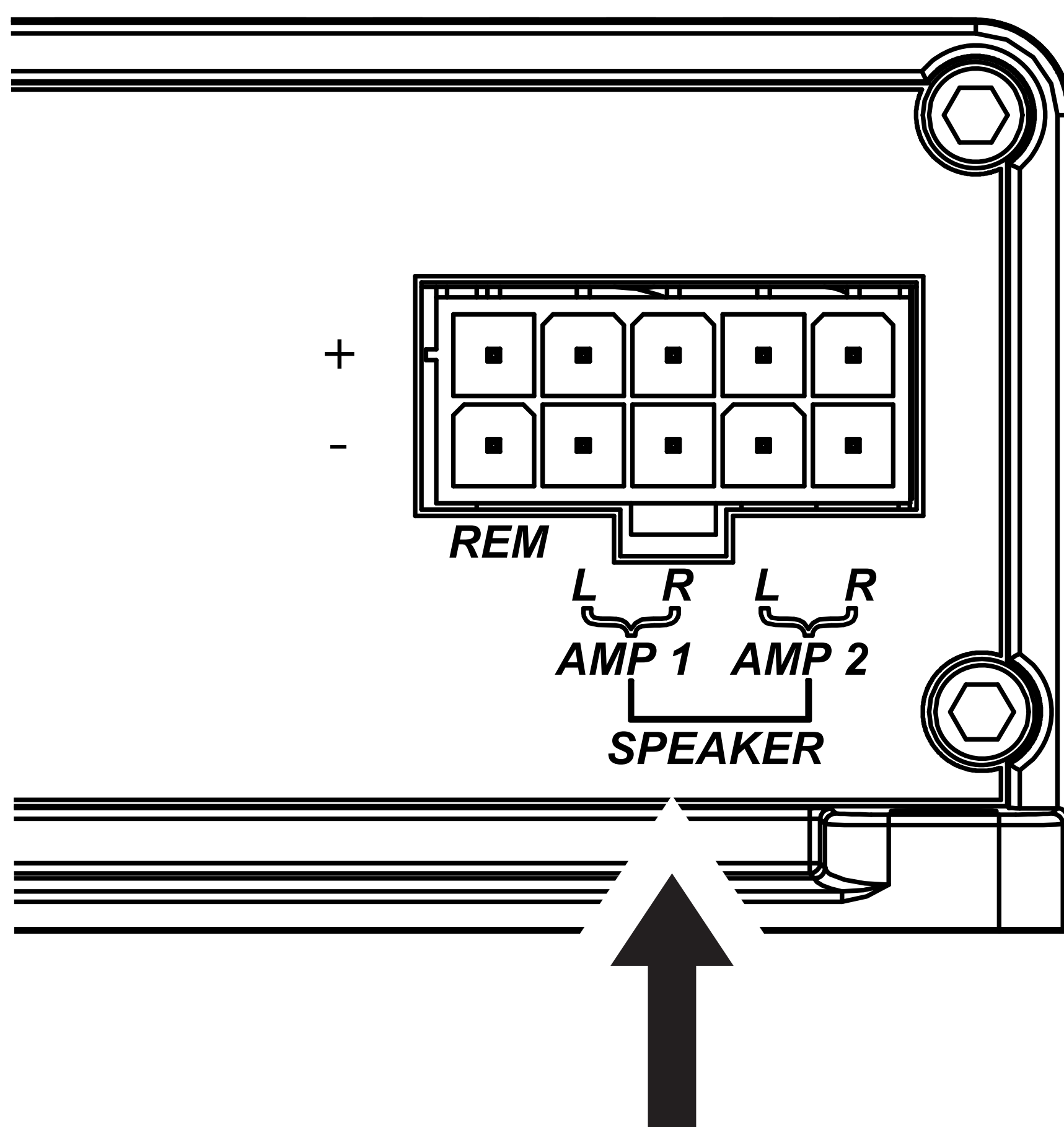
Schneiden Sie bei Bedarf die Cinch-Anschlüsse ab, um einen Hochpegel-Eingang zu verwenden, oder verwenden Sie den [KICKER KISL Speaker-RCA Converter](#).

Lautsprecherverdrahtung

(4-Kanal-Betrieb)



(Brückenbetrieb)



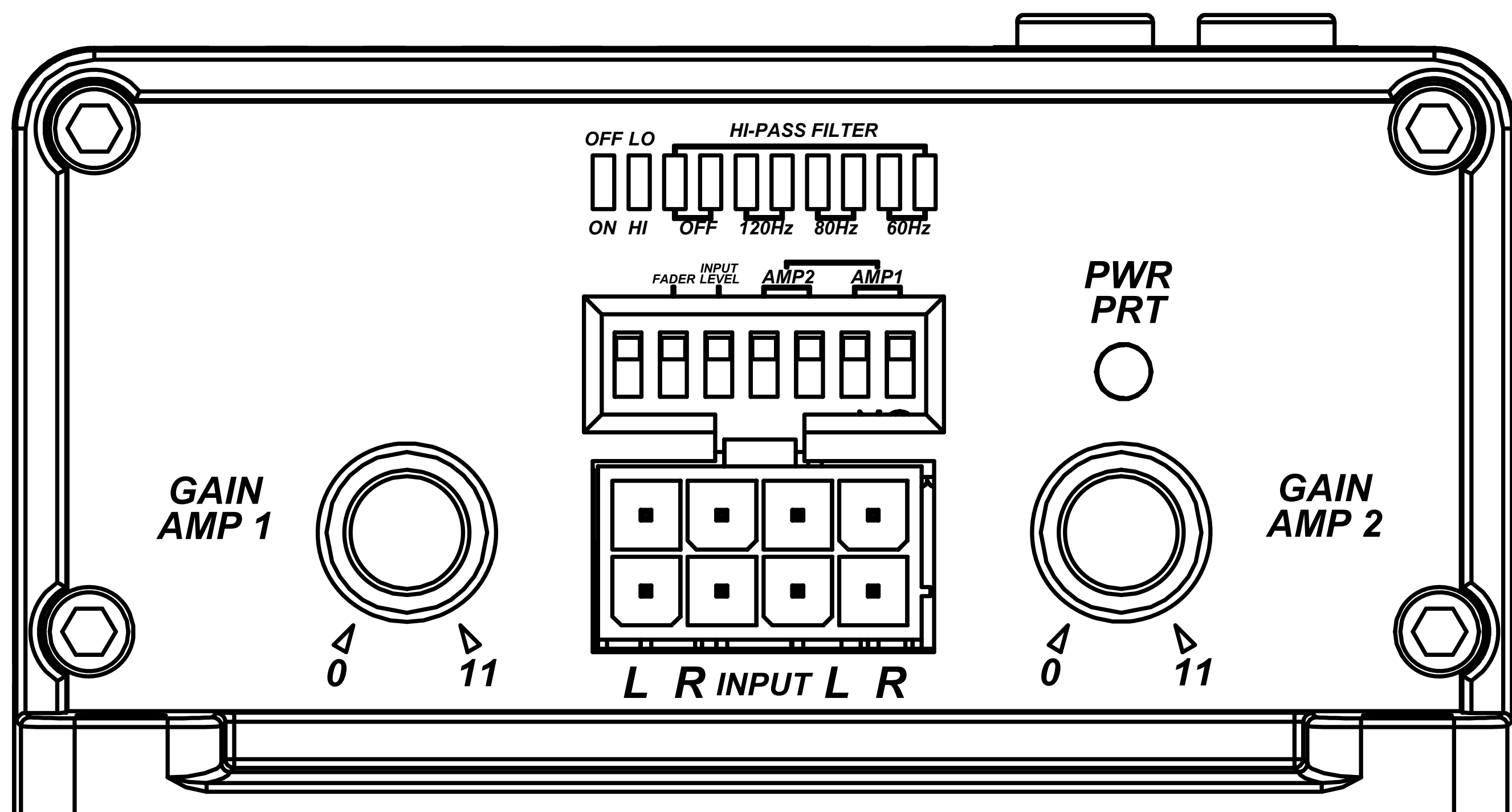
AMP1 links (weiß) positiv
AMP1 rechts (grau) negativ

AMP2 links (grün) positiv
AMP2 rechts (violett) negativ

Sie können eine Kombination von Stereo und Brückenbetrieb (z. B. AMP1 links und rechts, und AMP2 Mono, überbrückt) verwenden.

Betrieb

WICHTIG: Der erste Schalter hat keine Funktion. Verstellen Sie niemals die Schalter bei eingeschaltetem Audiosystem!



Automatische Einschaltung: Die KPX-Serie bietet zwei verschiedene Einschaltmodi; +12 V und DC Offset.

- Fern-Einschaltung: Führen Sie einen 18-Gauge-Draht vom Fern-Einschalt-Draht an Ihrer Quelleinheit zum blauen REM-Draht am Kabelbaum Ihres KPX-Verstärkers.
- Gleichstrom-Offset-Turn-On: Der Gleichstrom-Offset-Modus erkennt einen >2,5-V-Gleichstrom-Offset an den Hochpegel-Lautsprecherausgängen, wenn das Quellgerät eingeschaltet ist.

Eingangsverstärkungsregelung:

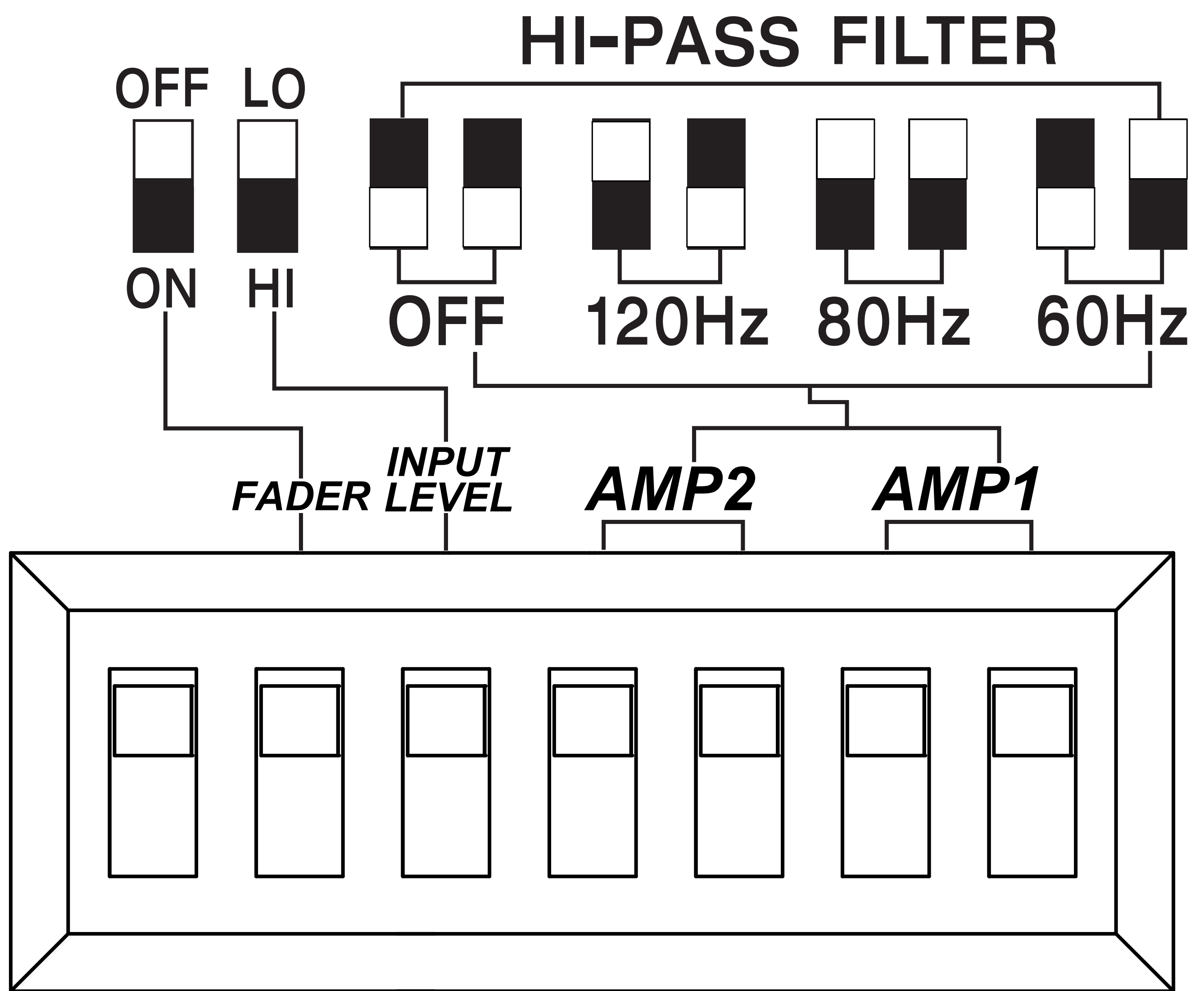
Der Eingangsverstärkungsregler ist kein Lautstärkereglern. Er passt den Ausgang des Quellgeräts an den Eingangspegel des Verstärkers an. Maximale Leistungsausgabe vom Verstärker ist möglich mit der niedrigsten Verstärkungseinstellung. Wenn die Verstärkung nicht korrekt eingestellt ist, kann dies zu verzerrter Ausgabe oder zu Beschädigung

oder dem vorzeitigen Ausfall Ihrer Lautsprecher führen. Für eine schnelle Einrichtung können Sie die Quelleinheit bis auf 3/4 der Lautstärke einstellen (wenn die Quelleinheit bis 30 geht, gehen Sie bis 25). Drehen Sie die Verstärkung am Verstärker (im Uhrzeigersinn) langsam auf, bis Sie eine Verzerrung hören können, und drehen Sie sie dann etwas herunter.

Um die bevorzugte Methode für die Einstellung der Verstärkung zu verwenden, legen Sie ein Voltmeter oder ein Oszilloskop an, drehen Sie den Verstärker hoch und trennen Sie alle Lautsprecher vom Verstärker. Drehen Sie den Verstärkungsregler (gegen den Uhrzeigersinn) und alle Frequenzweichenregler vollständig herunter oder auf die Einstellung mit der niedrigsten Effektivität. Falls ein Remote-Bass-Zubehörgerät an den Verstärker angeschlossen ist, drehen Sie es vollständig auf (im Uhrzeigersinn). Stellen Sie sicher, dass alle EQ- und DSP-Einstellungen an der Quelleinheit, wie etwa Bass, Höhen, Fader, Sitzposition usw., auf Linear, Flach, Mittig oder Aus eingestellt sind. Schalten Sie den Verstärker ein. Spielen Sie eine 0-dB-Sinuswelle über Ihre Quelleinheit ab und erhöhen Sie die Lautstärke auf etwa 3/4 des Maximums. Sinuswellen-Tracks können kostenlos von [KICKER.com](https://www.kicker.com) unter [der Registerkarte „Support“ heruntergeladen werden](#). Verwenden Sie die 50-Hz-Sinuswelle, um die Verstärkung für einen Subwoofer

einzustellen, und die 1-kHz-Sinuswelle für Full-Range-Lautsprecher. Richten Sie Ihr Voltmeter oder Ihr Oszilloskop ein, um die Wechselspannung (AC) zu messen. Platzieren Sie die Sonden des Voltmeters auf den Lautsprecher-Abgangsklemmen des Verstärkers. Drehen Sie bei laufender Sinuswelle den Verstärkungsregler langsam im Uhrzeigersinn und beobachten Sie den Anstieg der Wechselspannung (AC) auf dem Voltmeter.

Wenn die gewünschte Spannung angezeigt wird (vgl. die [Leistungstabelle auf KICKER.com](#)) oder wenn die Wellenform quadratisch wird, stoppen Sie die Erhöhung der Verstärkung, schalten Sie den Verstärker aus, schließen Sie alle Lautsprecher wieder an und legen Sie die Frequenzweiche für Ihre gewünschte Einstellung fest. Ihre Verstärkung ist jetzt für maximale, unbeschränkte Leistung vom Verstärker eingestellt. Wenn Sie die Amplitude mit den Einstellungen an der Quelleinheit oder dem Bass-Boost am Verstärker erhöhen, kommt es zu Verzerrung, und Sie werden diese Schritte wiederholen müssen.



Fader-Schalter: Schalten Sie den Fader-Schalter EIN, wenn Sie zwei Sätze von Eingängen (z. B. vorne und hinten) zum Verstärker haben. Lassen Sie den Fader-Schalter auf AUS geschaltet, wenn Sie alle Kanäle von einem einzigen Stereoeingang betreiben möchten.

Eingangsstufe: Wählen Sie zwischen einem Hoch- oder Tiefpass-Signal von Ihrer Quelleinheit.

Hochpass: Verwenden Sie den Hochpass-Schalter des Verstärkers, um die interne Frequenzweiche einzustellen. Stellen Sie die Grenzfrequenz auf 60 Hz, 80 Hz, 120 Hz oder OFF ein, abhängig von der Schalterkonfiguration.

Fehlersuche

Wenn Ihr Verstärker nicht zu funktionieren scheint, überprüfen Sie zuerst die offensichtlichen Dinge, wie z. B. durchgebrannte Sicherungen, schlechte oder falsche Verkabelung, falsche Einstellung der Frequenzweichenschalter und Verstärkungsregler usw. An der Seitenwand Ihres KICKER-Verstärkers der KPX-Baureihe befinden sich LEDs für die Stromversorgung (PWR) und den Schutz (PRT). Je nach Zustand des Verstärkers und des Ladesystems des Fahrzeugs leuchten die LEDs entweder grün oder rot. Wenn die grüne LED leuchtet, bedeutet dies, dass der Verstärker eingeschaltet ist und keine Störung vorliegt.

Grüne LED aus, keine Ausgabe? Überprüfen Sie mit einem Volt-Ohm-Meter (VOM) die folgenden Punkte: +12-Volt-Stromanschluss (sollte +12 V bis +16 V anzeigen) Fernschaltanschluss (sollte +12 V bis +16 V anzeigen) Vergewissern Sie sich, ob die Strom- und Erdungsanschlüsse vertauscht sind Prüfen Sie den Erdungsanschluss auf ordnungsgemäße Leitfähigkeit.

Grüne LED an, keine Ausgabe? Überprüfen Sie Folgendes: RCA-Anschlüsse Testen Sie die Lautsprecherausgänge mit einem „bekanntem“, ordnungsgemäß funktionierendem Lautsprecher. Ersetzen Sie das Quellgerät durch ein „bekanntes“, ordnungsgemäß funktionierendes Quellgerät. Prüfen Sie, ob das RCA-Kabel, das den Verstärker speist, ein Signal liefert, indem Sie das VOM-Meter auf „Wechselspannung“ einstellen.

Flackert die rote (PRT) LED bei lauter Musik? Die rote (PRT) LED zeigt eine niedrige Batteriespannung an. Überprüfen Sie alle Verbindungen im Ladesystem Ihres Fahrzeugs. Es kann erforderlich sein, die Batterie Ihres Fahrzeugs zu ersetzen oder aufzuladen oder die Lichtmaschine Ihres Fahrzeugs zu ersetzen.

Rote (PRT) LED leuchtet, keine Ausgabe? Verstärker ist sehr heiß = Überhitzungsschutz ist aktiviert. Prüfen Sie die korrekte Impedanz an den Lautsprecherklemmen mit einem VOM-Meter (siehe die Diagramme in diesem Handbuch für die empfohlene Mindestimpedanz und Vorschläge für die Verkabelung mehrerer Lautsprecher). Prüfen Sie auch, ob die Luftzirkulation um den Verstärker herum ausreichend ist. Verstärker schaltet sich nur bei laufendem Fahrzeug ab = Spannungsschutzschaltung ist aktiviert. Die Spannung am Verstärker liegt nicht innerhalb des Betriebsbereichs von 6-16 Volt. Lassen Sie das Lade- und Elektrosystem des Fahrzeugs überprüfen. Der Verstärker spielt nur bei geringer Lautstärke = Kurzschlusschutz ist aktiviert. Prüfen Sie, ob die Lautsprecherkabel untereinander oder mit der Fahrzeugkarosserie kurzgeschlossen sind. Überprüfen Sie, ob die Lautsprecher beschädigt sind oder ob sie unter der empfohlenen Mindestimpedanz arbeiten.

Keine oder leise Ausgabe? Prüfen Sie die Balance- und Faderregler am Quellgerät. Überprüfen Sie die RCA- (oder Lautsprechereingangs-) und Lautsprecherausgangsverbindungen. Wenn Sie ein Niedrigpegelsignal verwenden, stellen Sie sicher, dass Radio Detect auf OFF steht. Überprüfen Sie die Lautstärke an Ihrem Quellgerät, einschließlich der Lautstärke angeschlossener Telefone oder MP3-Player.

Heulendes Lichtmaschinengeräusch bei Motordrehzahl? Prüfen Sie, ob das RCA-Kabel (oder das Lautsprechereingangskabel) beschädigt ist Prüfen Sie die Verlegung des RCA-Kabels (oder des Lautsprechereingangskabels) Prüfen Sie, ob das Quellgerät richtig geerdet ist Prüfen Sie die Verstärkungseinstellungen und drehen Sie sie herunter, wenn sie zu hoch eingestellt sind.

VORSICHT: Achten Sie bei der Starthilfe darauf, dass die Anschlüsse der Starthilfekabel korrekt angeschlossen sind. Unsachgemäße Anschlüsse können zu durchgebrannten Verstärkersicherungen sowie zum Ausfall anderer kritischer Systeme im Fahrzeug führen.

Wenn Sie weitere Fragen zur Installation oder zum Betrieb Ihres neuen KICKER-Produkts haben, wenden Sie sich an den autorisierten KICKER-Händler, bei dem Sie Ihr Produkt gekauft haben. Weitere Tipps zur Installation finden Sie auf der KICKER-Homepage unter der Registerkarte SUPPORT **www.KICKER.com**. Wählen Sie die Registerkarte TECHNISCHE UNTERSTÜTZUNG, wählen Sie das Thema, das Sie interessiert, und laden Sie dann die entsprechenden Informationen herunter oder rufen Sie sie auf. Bitte senden Sie eine E-Mail an support@KICKER.com oder rufen Sie den Technischen Kundenservice unter (405) 624-8583 an, wenn Sie spezifische oder unbeantwortete Fragen haben.

The RMA number must be clearly marked on the outside of the package. Please return only defective components. The return of functioning items increases your return freight charges. Non-defective items will be returned freight collect to you. For example, if a subwoofer is defective, only return the defective subwoofer, not the entire enclosure. Include a copy of the original receipt with the purchase date clearly visible, and a “proof-of-purchase” statement listing the Customer’s name, Dealer’s name and invoice number, and product purchased. Warranty expiration on items without proof-of-purchase will be determined from the type of sale and manufacturing date code. Freight must be prepaid; items sent freight-collect, or COD, will be refused.

WHAT IS NOT COVERED?

This warranty is valid only if the product is used for the purpose for which it was designed. It does not cover:

- o Damage due to improper installation
- o Subsequent damage to other components
- o Damage caused by excessive heat, chemical cleaners, and/or UV radiation
- o Damage through negligence, misuse, accident or abuse. Repeated returns for the same damage may be considered abuse
- o Any cost or expense related to the removal or reinstallation of product
- o Speakers damaged due to amplifier clipping or distortion
- o Items previously repaired or modified by any unauthorized repair facility
- o Return shipping on non-defective items
- o Products with tampered or missing barcode labels
- o Products with tampered or missing serial numbers
- o Products returned without a Return Merchandise Authorization (RMA) number
- o Products purchased from an UNAUTHORIZED dealer
- o Freight Damage
- o The cost of shipping product to KICKER
- o Service performed by anyone other than KICKER

HOW LONG WILL IT TAKE?

KICKER strives to maintain a goal of one week turnaround for all electronics (amplifiers, crossovers, equalizers, etc.) returns. Delays may be incurred if lack of replacement inventory or parts is encountered. Failure to follow these steps may void your warranty. Any questions can be directed to the KICKER Customer Service Department at (405) 624-8510. Contact your International KICKER dealer or distributor concerning specific procedures for your country’s warranty policies.

Garantía | Garantie

Contact your International KICKER dealer or distributor concerning specific procedures for your country's warranty policies.

Our goods come with guarantees that cannot be excluded under the **Australian Consumer Law**. You are entitled to a replacement or refund for a major failure and for compensation for any other reasonably foreseeable loss or damage. You are also entitled to have the goods repaired or replaced if the goods fail to be of acceptable quality and the failure does not amount to a major failure.

GARANTÍA INTERNACIONAL **Versión Español**

Comuníquese con su concesionario o distribuidor KICKER internacional para obtener información sobre procedimientos específicos relacionados con las normas de garantía de su país.

La frase “combustible para vivir la vida Livin’ Loud™ a todo volumen” se refiere al entusiasmo por la vida que la marca KICKER de estéreos de automóvil representa y a la recomendación a nuestros clientes de que vivan lo mejor posible (“a todo volumen”) en todo sentido. La línea de altavoces y amplificadores KICKER es la mejor del mercado de audio de automóviles y por lo tanto representa el “combustible” para vivir a todo volumen en el área de “estéreos de automóvil” de la vida de nuestros clientes. Recomendamos a todos nuestros clientes que obedezcan todas las reglas y reglamentos locales sobre ruido en cuanto a los niveles legales y apropiados de audición fuera del vehículo.

INTERNATIONALE GARANTIE **Deutsche Version**

Nehmen Sie mit Ihren internationalen KICKER-Fachhändler oder Vertrieb Kontakt auf, um Details über die Garantieleistungen in Ihrem Land zu erfahren.

Der Slogan “Treibstoff für Livin’ Loud” bezieht sich auf die mit den KICKER-Autostereosystemen assoziierte Lebensfreude und die Tatsache, dass wir unsere Kunden ermutigen, in allen Aspekten ihres Lebens nach dem Besten (“Livin’ Loud”) zu streben. Die Lautsprecher und Verstärker von KICKER sind auf dem Markt für Auto-Soundsysteme führend und stellen somit den “Treibstoff” für das Autostereoerlebnis unserer Kunden dar. Wir empfehlen allen unseren Kunden, sich bezüglich der zugelassenen und passenden Lautstärkepegel außerhalb des Autos an die örtlichen Lärmvorschriften zu halten.

GARANTIE INTERNATIONALE **Version Française**

Pour connaître les procédures propres à la politique de garantie de votre pays, contactez votre revendeur ou distributeur International KICKER.

L’expression “ carburant pour vivre plein pot “ fait référence au dynamisme de la marque KICKER d’équipements audio pour véhicules et a pour but d’encourager nos clients à faire le maximum (“ vivre plein pot “) dans tous les aspects de leur vie. Les haut-parleurs et amplificateurs KICKER sont les meilleurs dans le domaine des équipements audio et représentent donc pour nos client le “ carburant pour vivre plein pot “ dans l’aspect “ installation audio de véhicule “ de leur vie. Nous encourageons tous nos clients à respecter toutes les lois et réglementations locales relatives aux niveaux sonores acceptables à l’extérieur des véhicules.

P.O. Box 459

Stillwater, Oklahoma 74076

USA

(405) 624-8510

 **stillwaterdesigns**

50KPX-d-240125