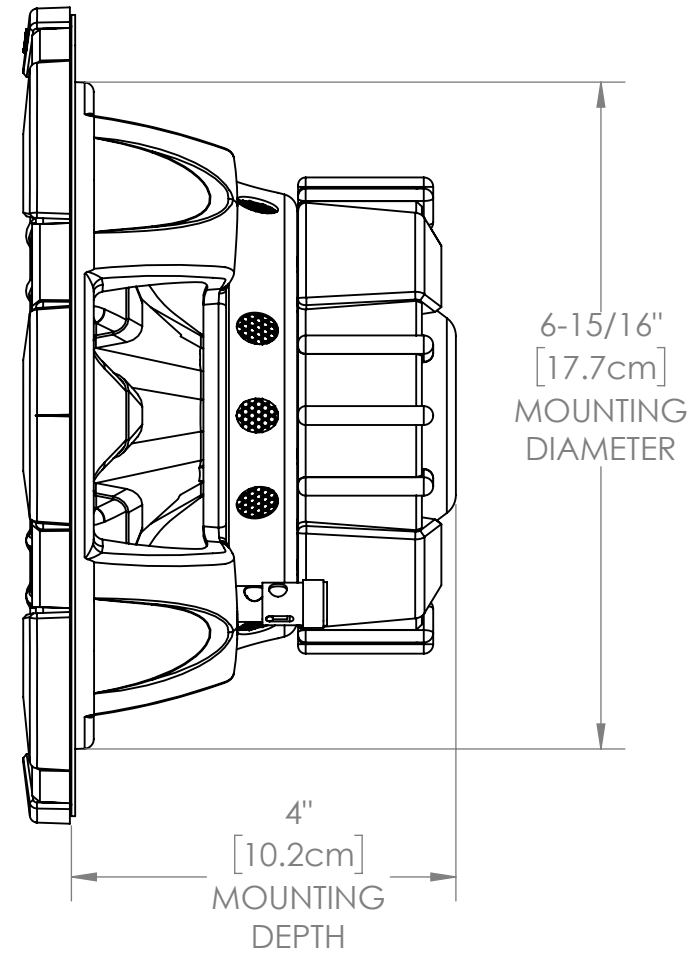
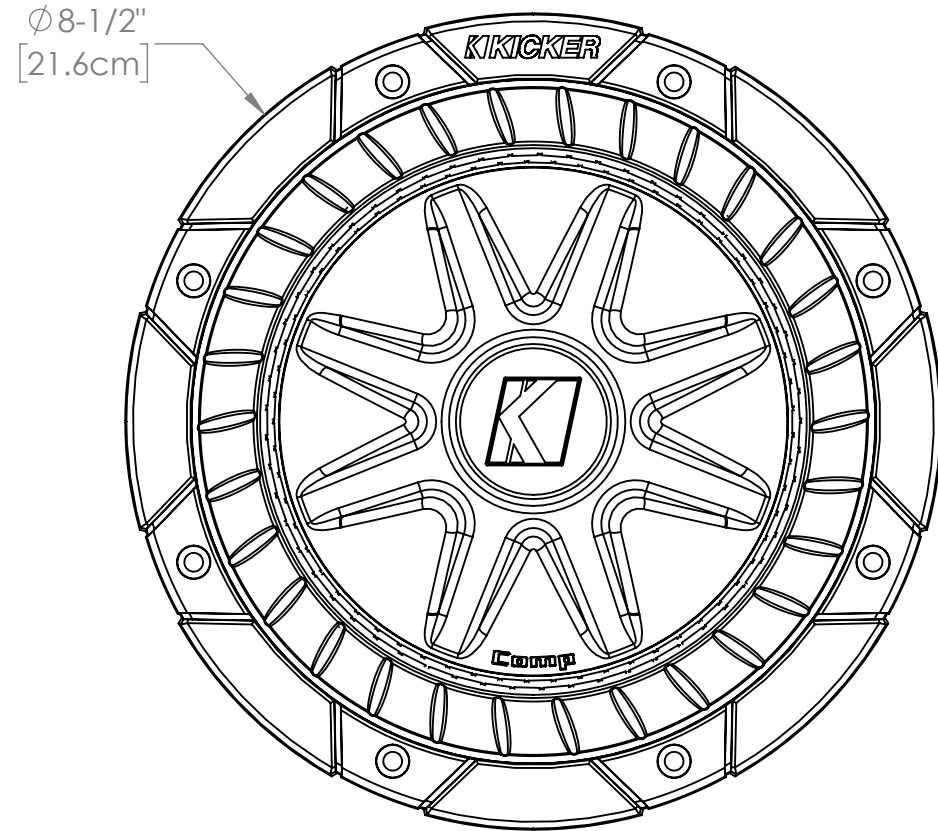


# CARTON ART VIEWS/PUBLISHED DIMENSIONS SHEET

MOUNTING DEPTH DIMENSION ROUNDED UP TO NEAREST 1/16th"  
*measured inches convert to mm equivalent add 1.5875mm=1/16th then software rounds to nearest 1/16th*



## CUSTOMER SERVICE DIMENSIONS

	NAME	DATE
DRAWN	dSb	8/14/2023
CHECKED	CLB	8/14/2023



TITLE:  
**43C8 GIFTBOX  
LINE ART**

**PROPRIETARY AND CONFIDENTIAL**  
 THE INFORMATION CONTAINED IN THIS  
 DRAWING IS THE SOLE PROPERTY OF  
 STILLWATER DESIGNS. ANY  
 REPRODUCTION IN PART OR AS A WHOLE  
 WITHOUT THE WRITTEN PERMISSION OF  
 STILLWATER DESIGNS IS PROHIBITED.

SIZE	DWG. NO.	REV
<b>B</b>	<b>43C8-CSD</b>	<b>0</b>

DO NOT SCALE DRAWING    SCALE: 1:2    WEIGHT:    SHEET 1 OF 1