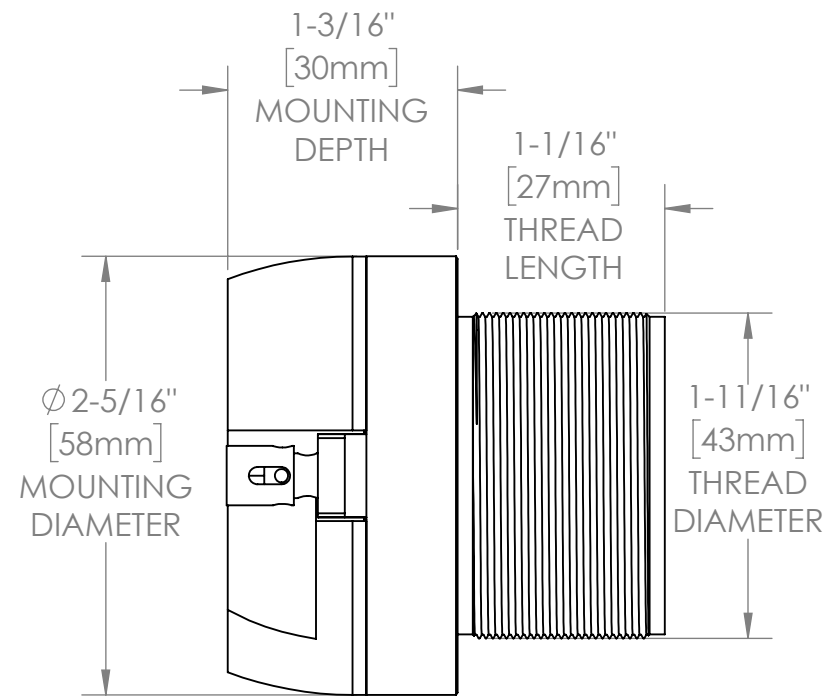


**LOCKING NUT**

**ROUND MOUNTING FLANGE**

**SQUARE MOUNTING FLANGE**



SKU	Impedance	VC diameter	LOOSE COMPONENTS	
			CAPACITOR	RESISTOR
48ST3TW	4 Ohm	1" [25mm]	8 OHM, 10W	4.7 uF, 250V

CUSTOMER SERVICE DIMENSIONS				
DRAWN	NAME	DATE		
CHECKED	DSB	8/30/2021		
	CLB	8/30/2021		
<small>PROPRIETARY AND CONFIDENTIAL THE INFORMATION CONTAINED IN THIS DRAWING IS THE SOLE PROPERTY OF STILLWATER DESIGNS. ANY REPRODUCTION IN PART OR AS A WHOLE WITHOUT THE WRITTEN PERMISSION OF STILLWATER DESIGNS IS PROHIBITED.</small>			TITLE:	48ST3TW CSD
DO NOT SCALE DRAWING	SIZE	DWG. NO.	REV	
	<b>B</b>	48ST3TW	<b>0</b>	
	SCALE: 1:1	WEIGHT:	SHEET 3 OF 3	