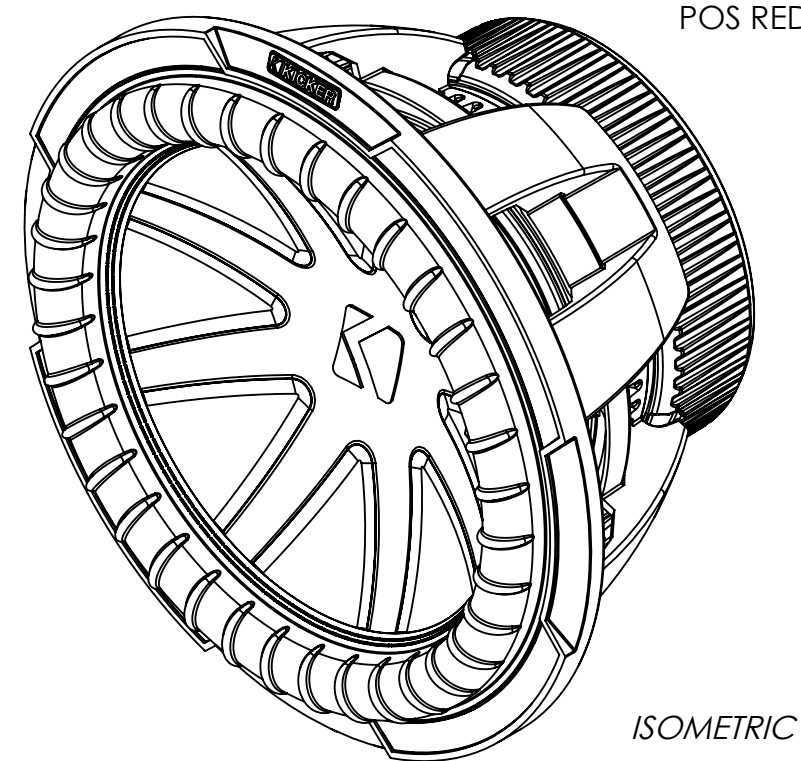
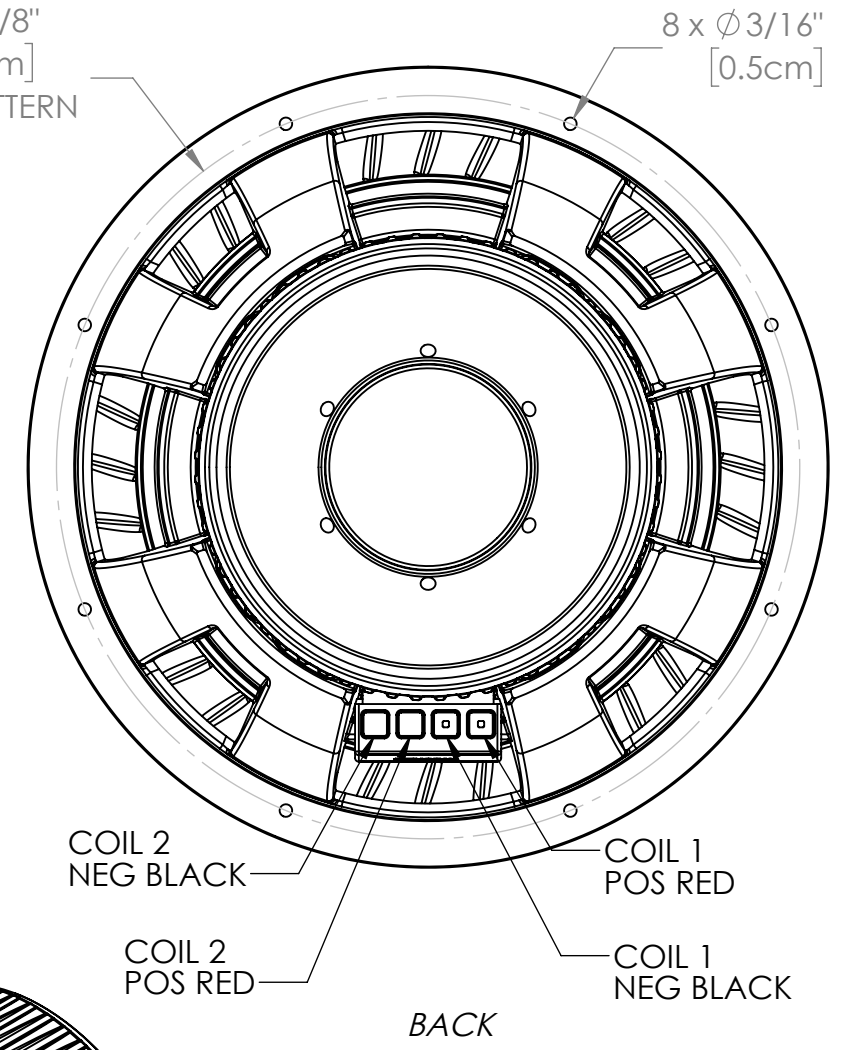
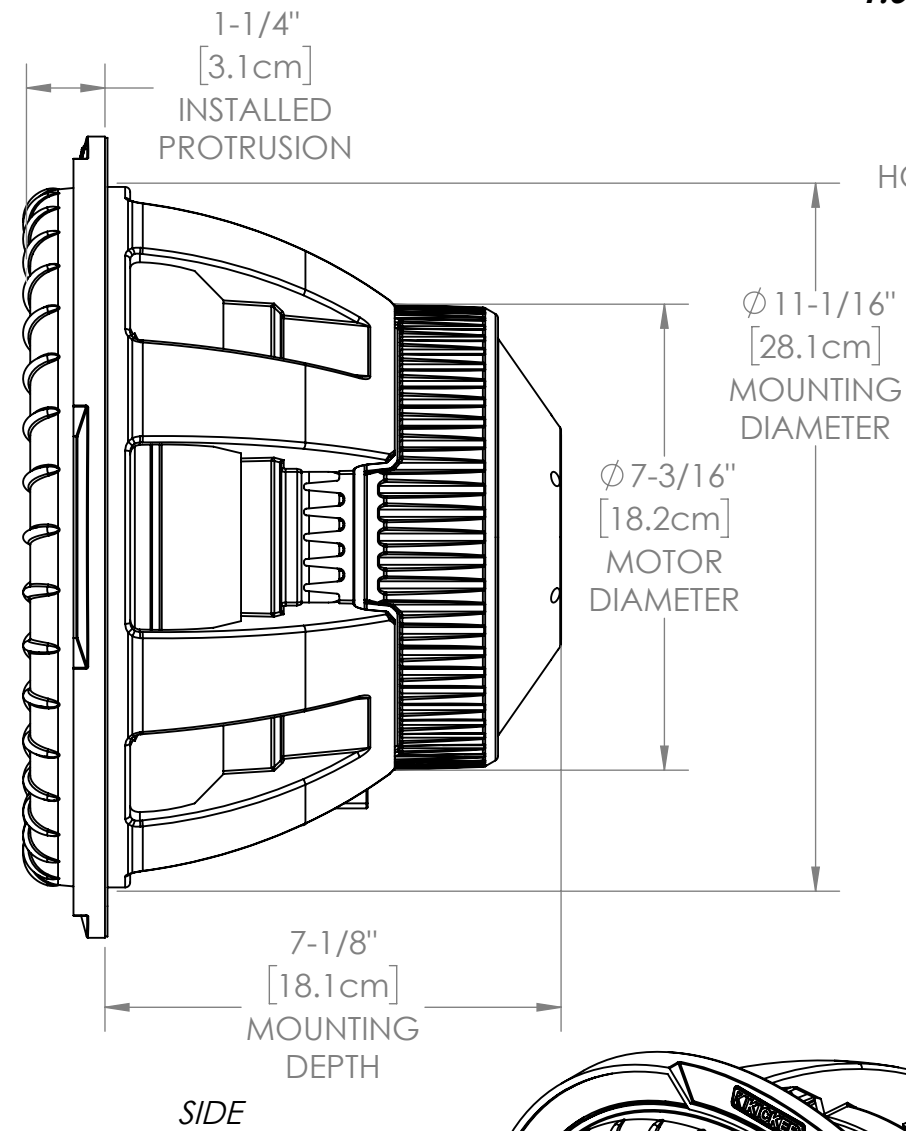
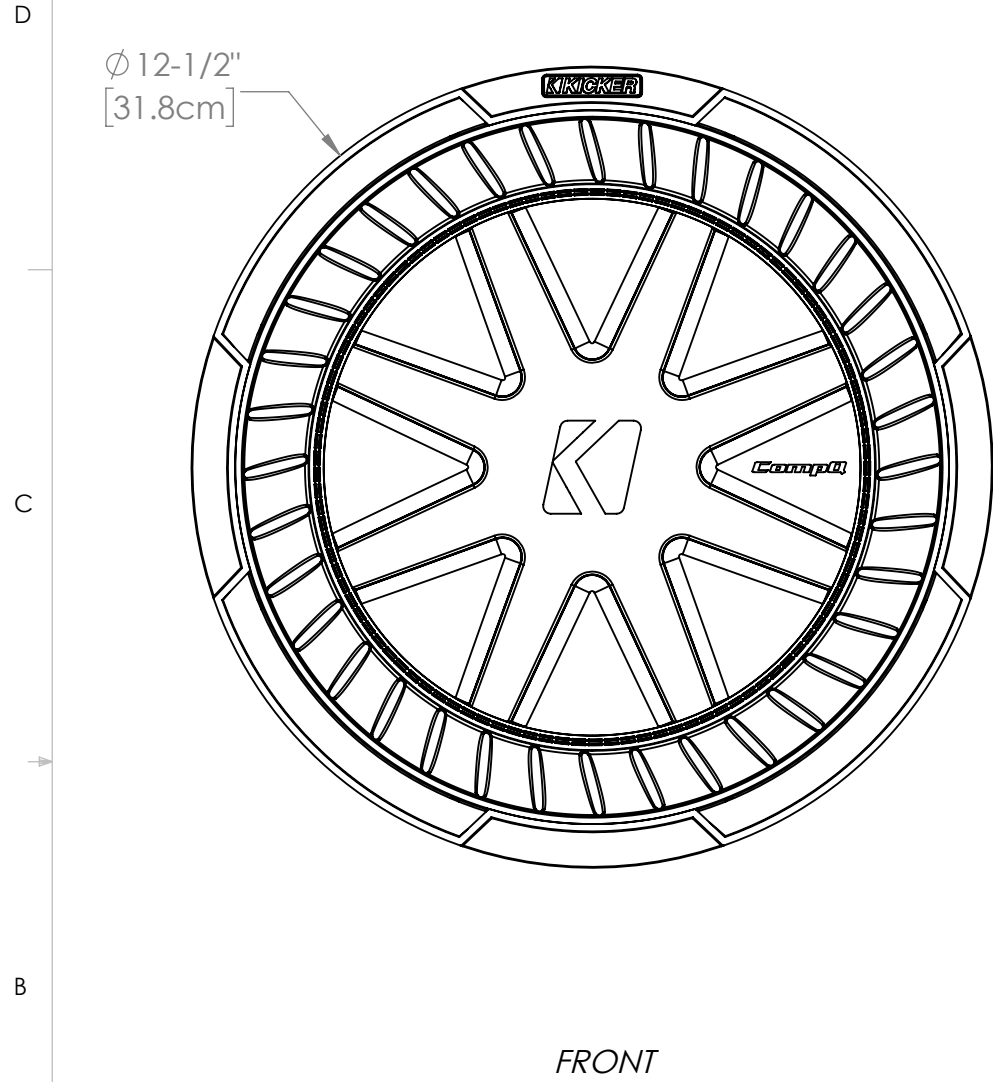


8 7 6 5 4 3 2 1

MOUNTING DEPTH DIMENSION ROUNDED UP TO NEAREST 1/16th"
measured inches convert to mm equivalent add 1.6mm=1/16th then software rounds to nearest 1/16th



Item Number	Impedance	VC diameter
50CWQ122	2OHM DVC	2.4" (60mm)
50CWQ124	4OHM DVC	2.4" (60mm)

CUSTOMER SERVICE DIMENSIONS

KICKER
 stillwaterdesigns

DESCRIPTION:
 12" CompQ Subwoofer

SIZE	DWG. NO.	REV	SHEET
B	50CWQ12-CSD	0	3/3

8 7 6 5 4 3 2 1