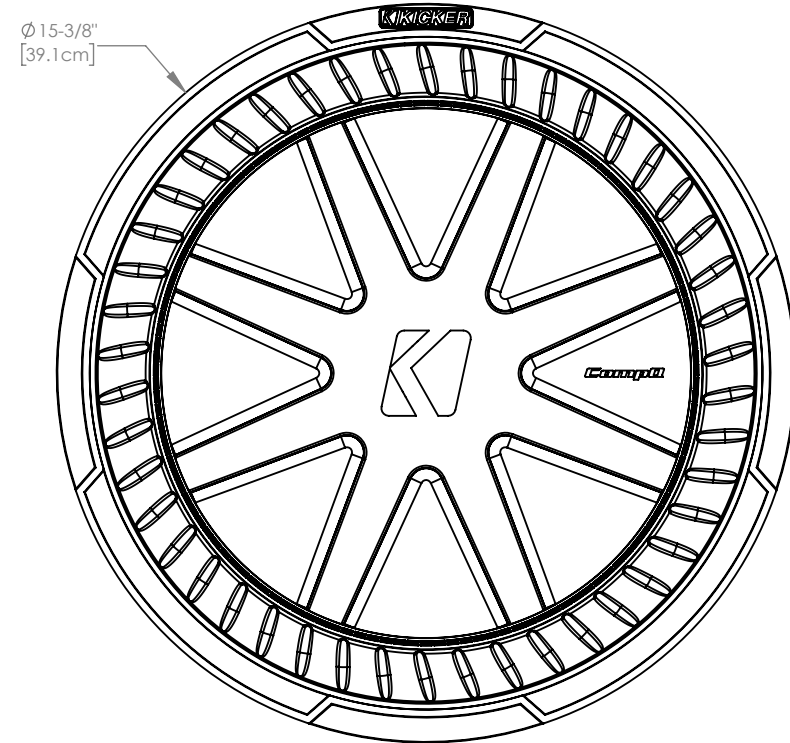


8 7 6 5 4 3 2 1

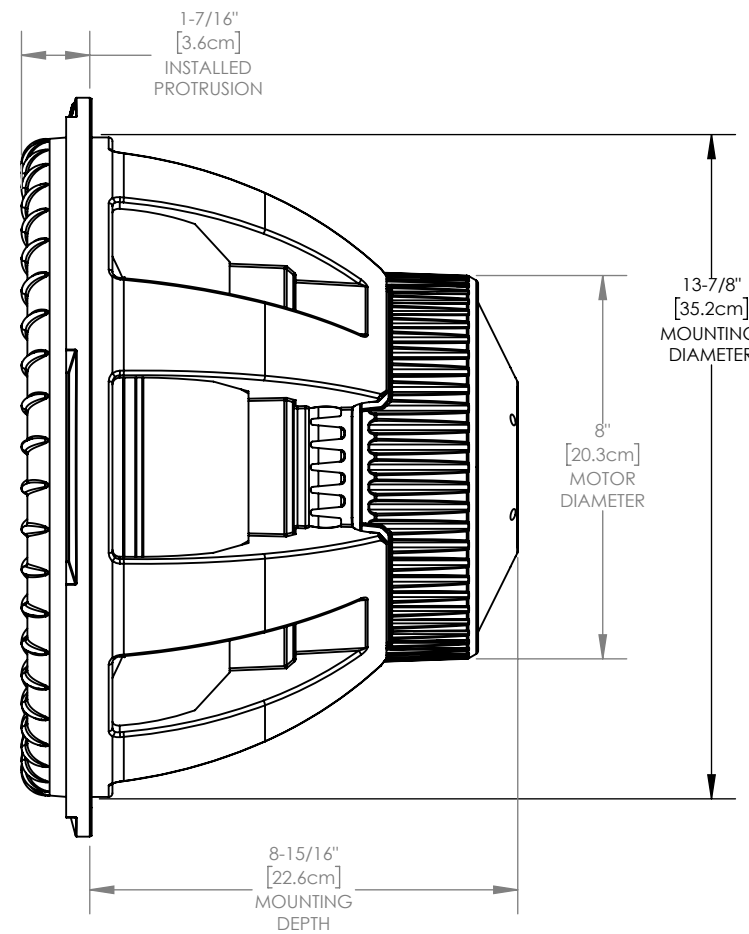
MOUNTING DEPTH DIMENSION ROUNDED UP TO NEAREST 1/16th" measured inches convert to mm equivalent add 1.6mm=1/16th then software rounds to nearest 1/16th

D
C
B
A

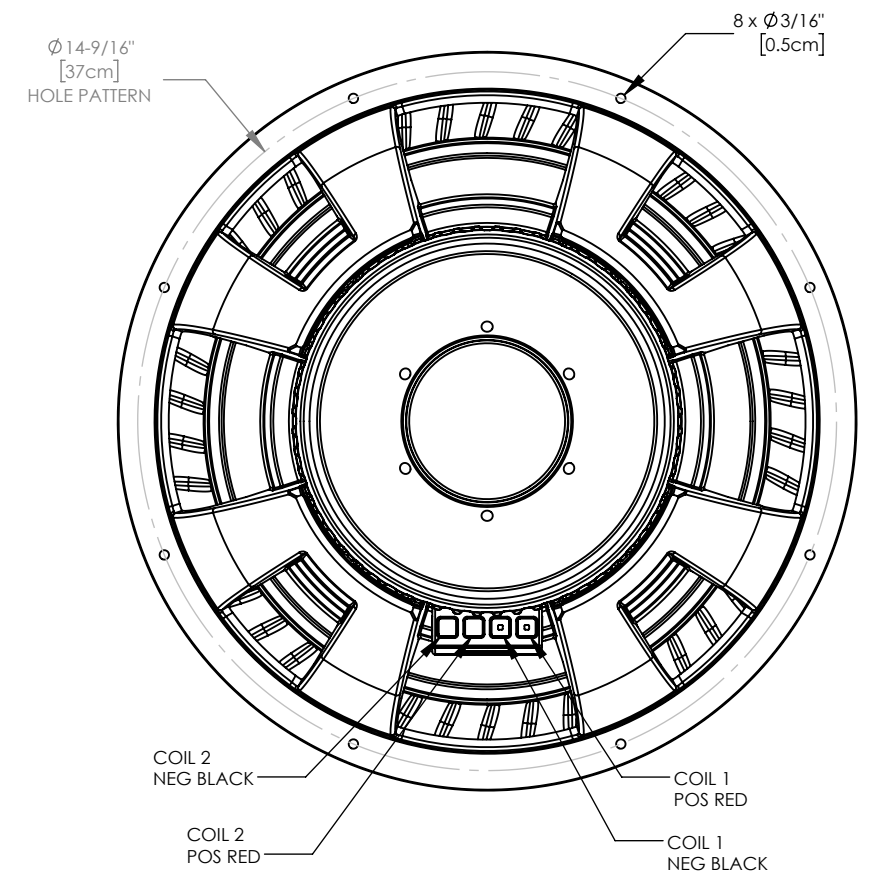
D
C
B
A



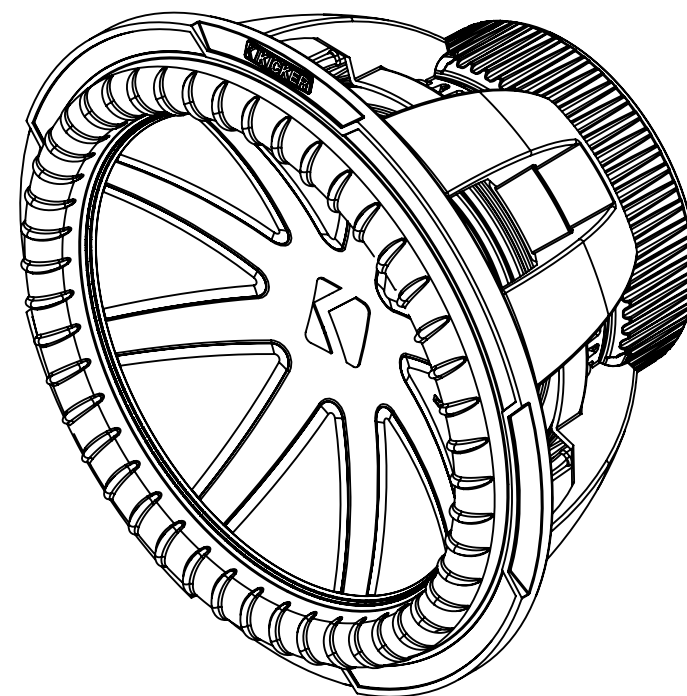
FRONT



SIDE



BACK



ISOMETRIC

Item Number	Impedance	VC diameter
50CWQ152	2OHM DVC	2.6" (66mm)
50CWQ154	4OHM DVC	2.6" (66mm)

CUSTOMER SERVICE DIMENSIONS



DESCRIPTION:
15" CompQ Subwoofer

SIZE	DWG. NO.	REV	SHEET
B	50CWQ15-CSD	0	3/3

8 7 6 5 4 3 2 1