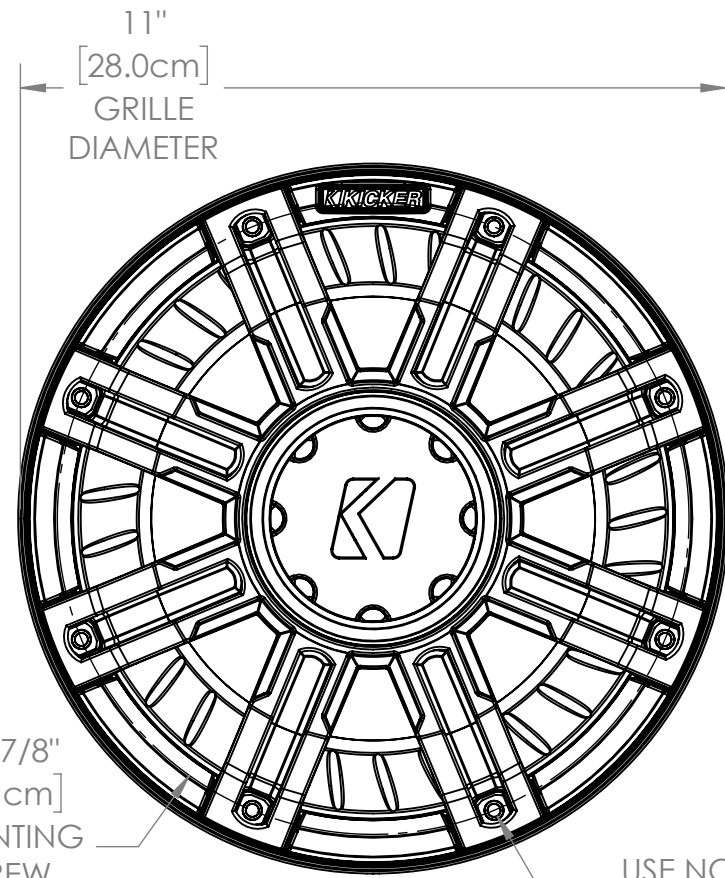


CARTON ART VIEWS/PUBLISHED DIMENSIONS SHEET

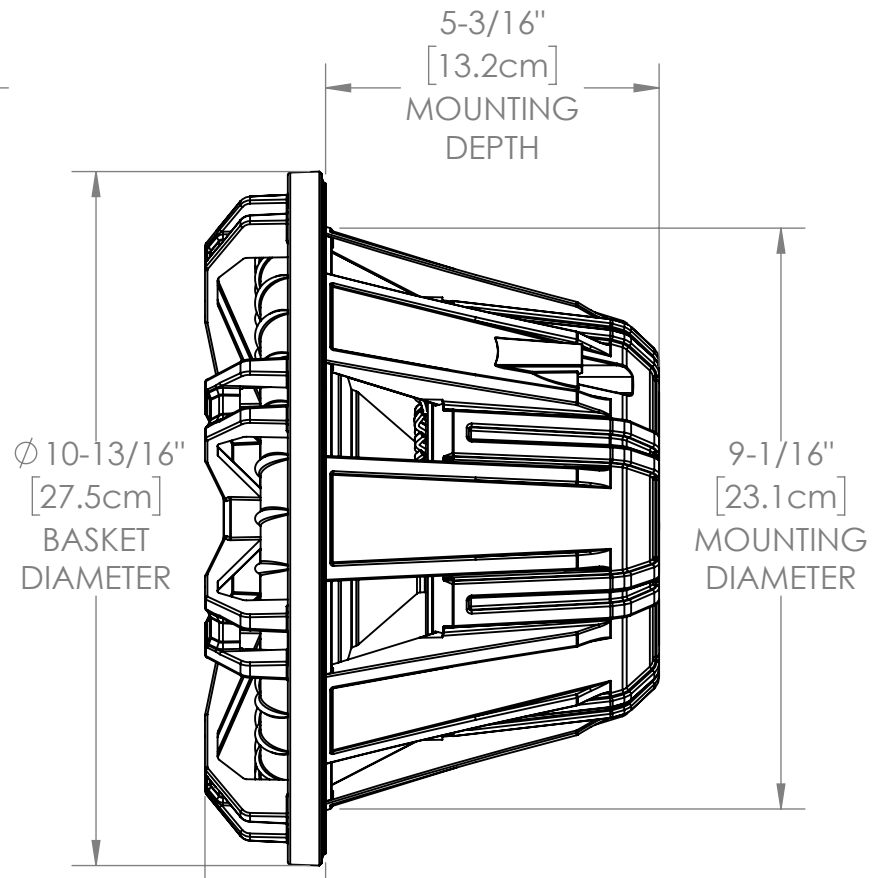
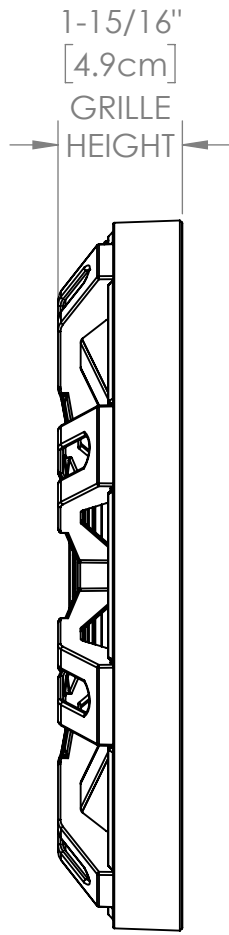
MOUNTING DEPTH DIMENSION ROUNDED UP TO NEAREST 1/16th"
measured inches convert to mm equivalent add 1.5875mm=1/16th then software rounds to nearest 1/16th

D
C
B
A

D
C
B
A

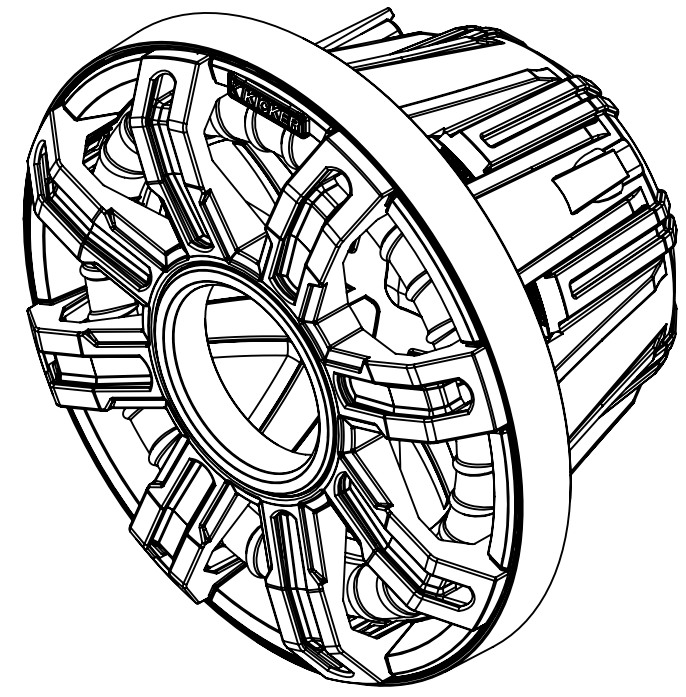


USE NO.8
MOUNTING
SCREWS



9-1/16"
[23.1cm]
MOUNTING
DIAMETER

1-7/8"
[4.8cm]
INSTALLED
PROTRUSION



CUSTOMER SERVICE DIMENSIONS



TITLE:
10" MW SUBWOOFER

SIZE B	DWG NO. 51MW-CSD	REV A	SHEET 1/1
------------------	---------------------	-----------------	---------------------

8 7 6 5 4 3 2 1

8 7 6 5 4 3 2 1