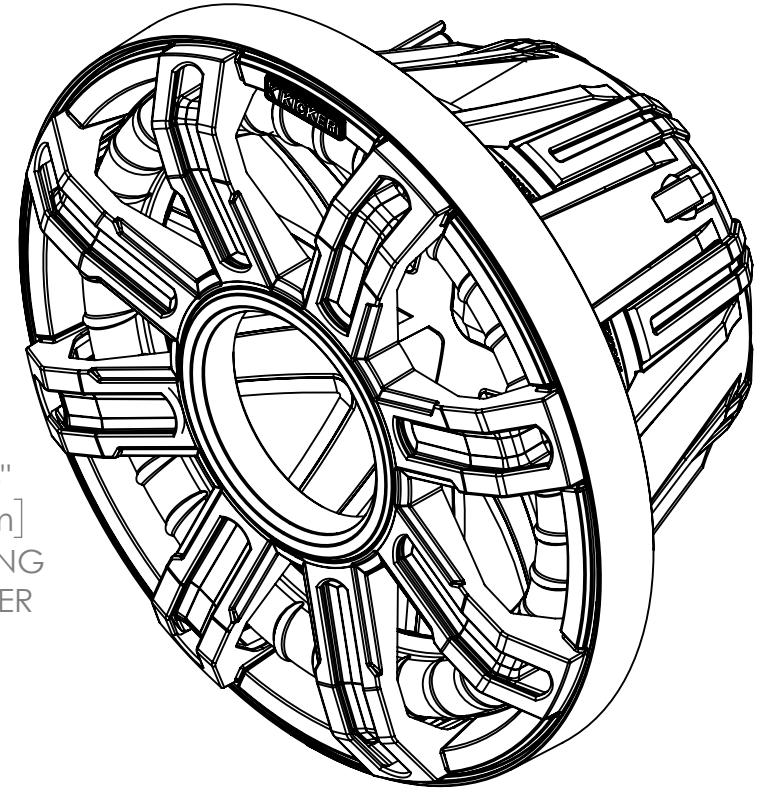
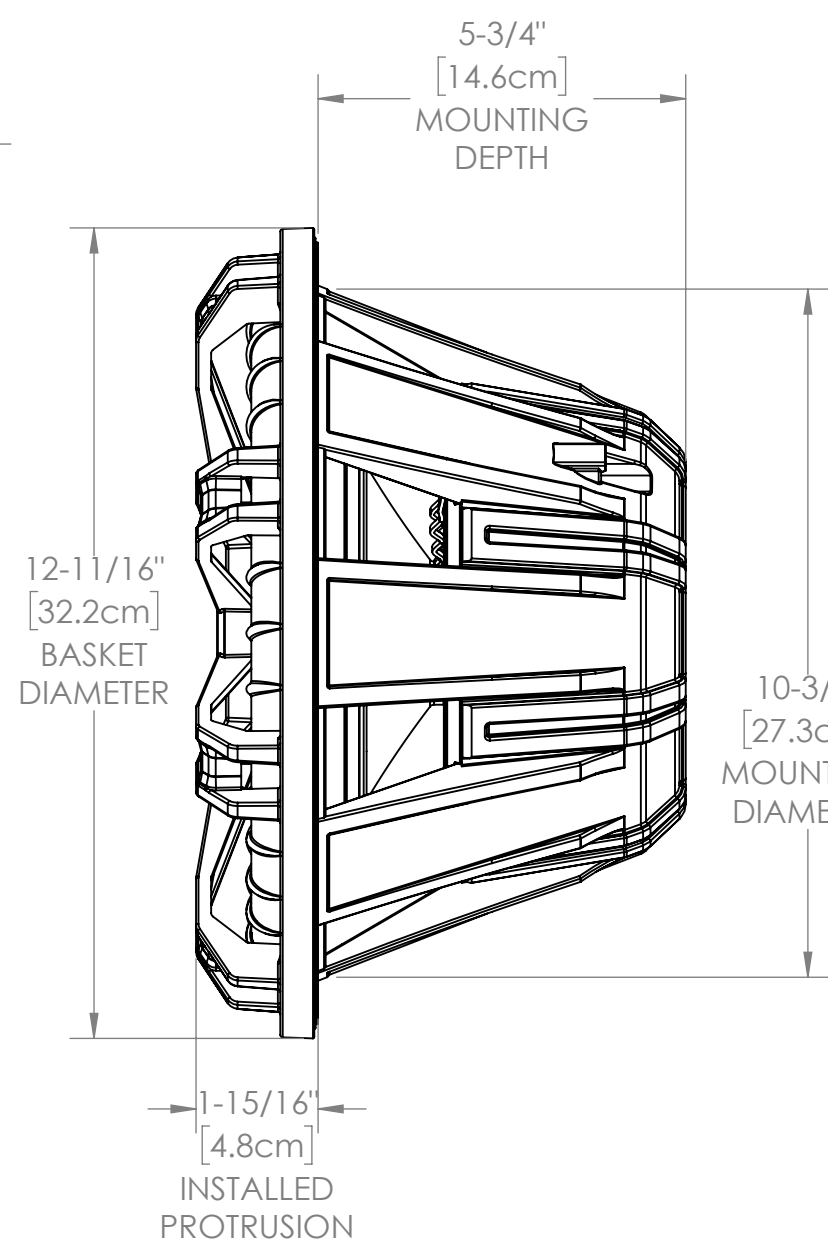
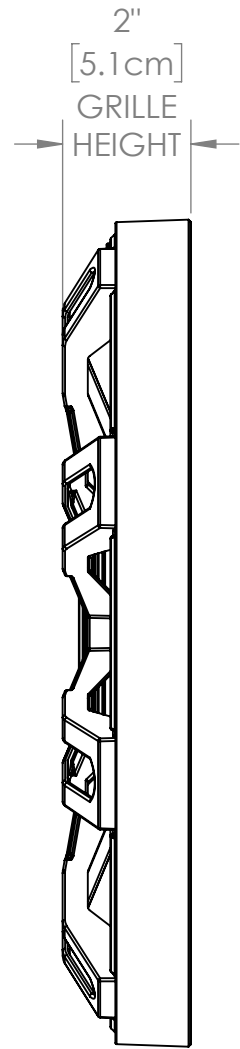
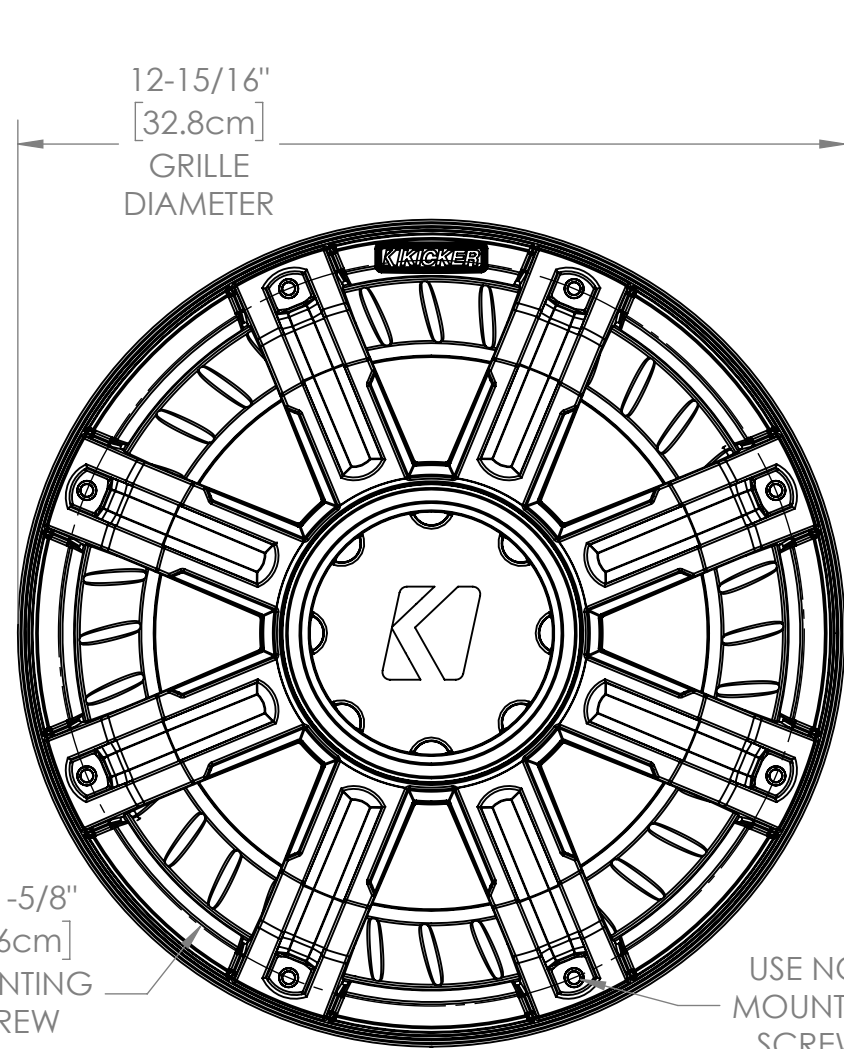


CARTON ART VIEWS/PUBLISHED DIMENSIONS SHEET

MOUNTING DEPTH DIMENSION ROUNDED UP TO NEAREST 1/16th"
measured inches convert to mm equivalent add 1.5875mm=1/16th then software rounds to nearest 1/16th

D
C
B
A

D
C
B
A



CUSTOMER SERVICE DIMENSIONS			
KICKER stillwaterdesigns			
TITLE: 12" MW SUBWOOFER			
SIZE B	DWG NO. 51MW-CSD	REV A	SHEET 1/2

8 7 6 5 4 3 2 1

8 7 6 5 4 3 2 1