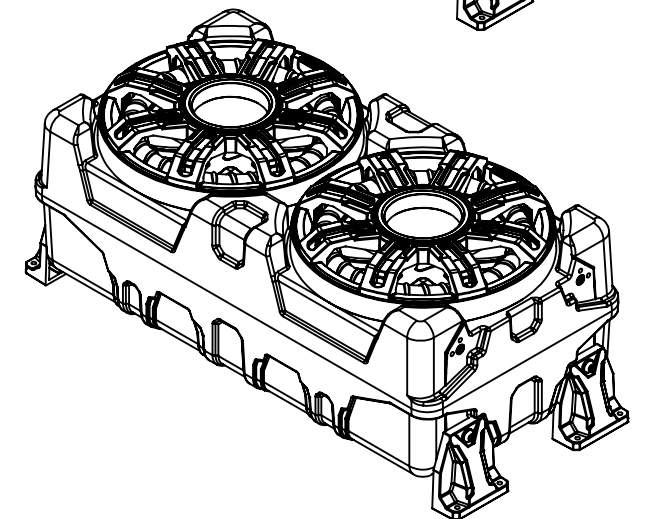
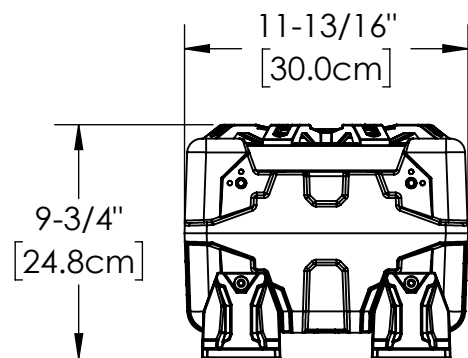
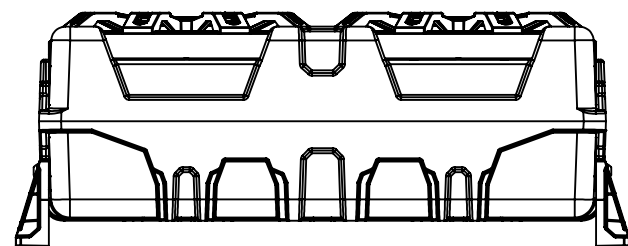
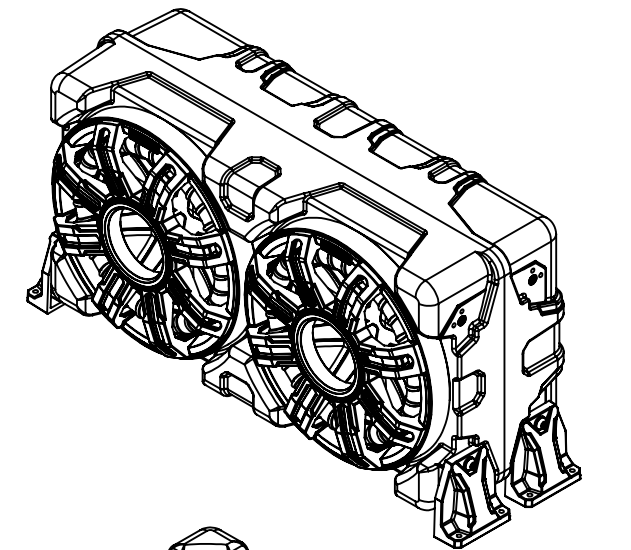
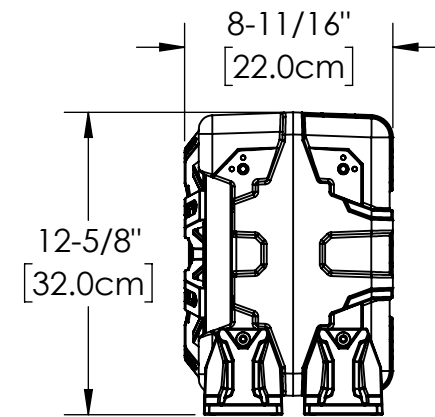
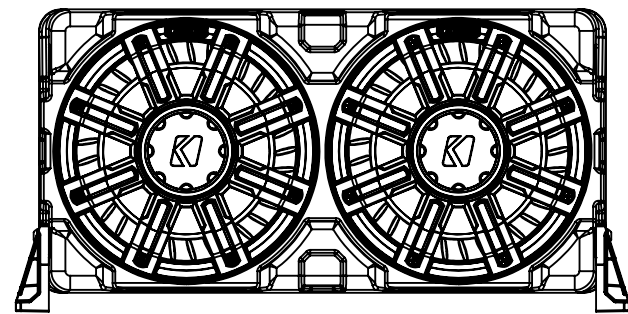
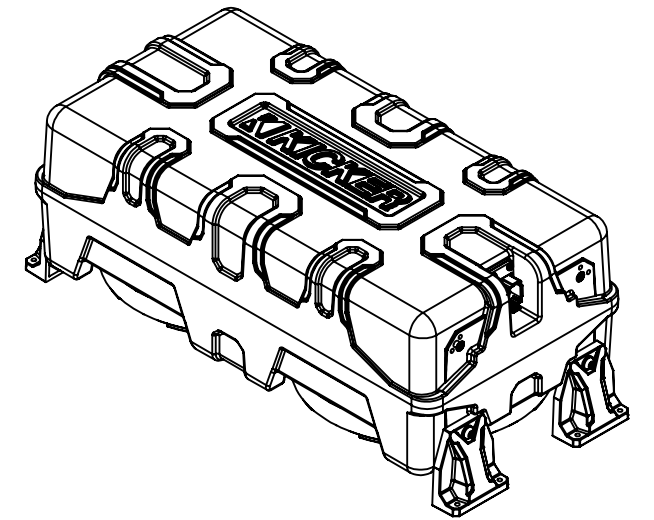
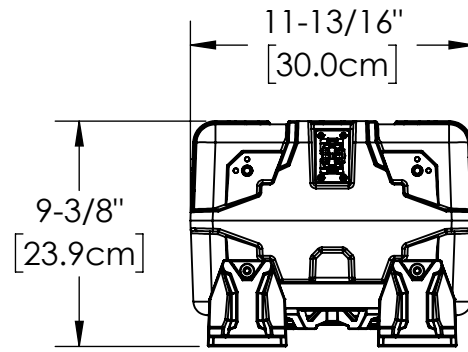
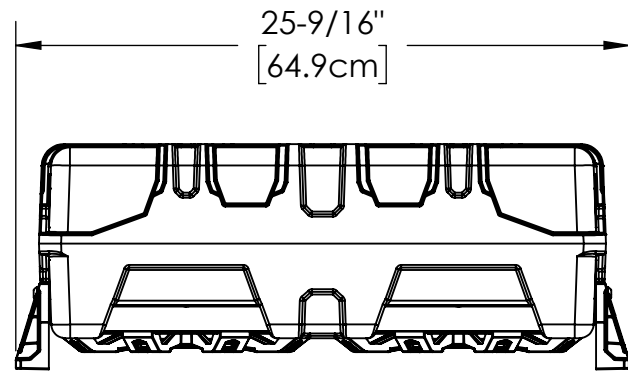


8 7 6 5 4 3 2 1



D
C
B
A

D
C
B
A

Item Number	Impedance	LED	CONNECTOR
51MWLE104	4OHM	RGBW	INCLUDED - 3' PIGTAIL

**CARTON ART
VIEWS/PUBLISHED
DIMENSIONS SHEET**

CUSTOMER SERVICE DIMENSIONS



DESCRIPTION:
10" MW LOADED ENCLOSURE WITH PASSIVE

SIZE	DWG. NO.	REV	SHEET
B	51MWLE104	0	3/3

8 7 6 5 4 3 2 1