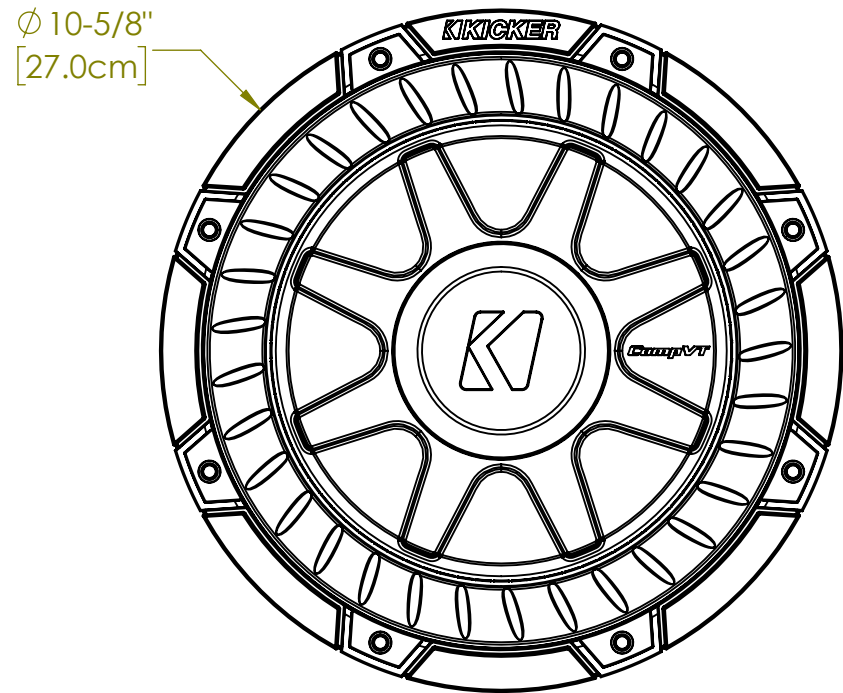
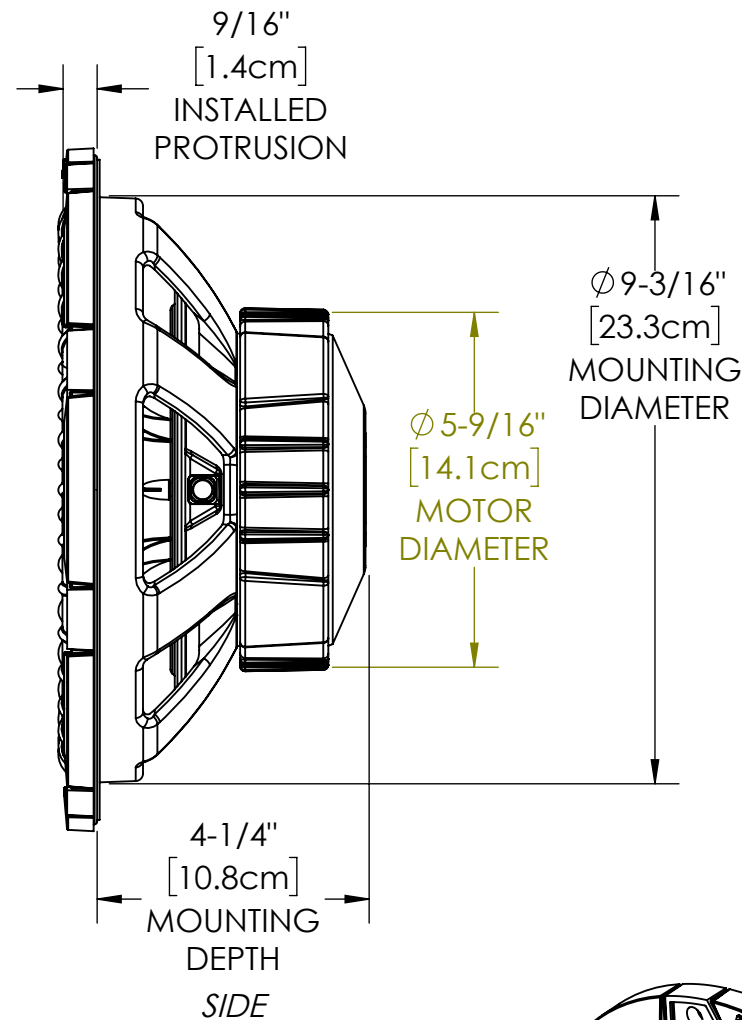


# CARTON ART VIEWS/PUBLISHED DIMENSIONS SHEET

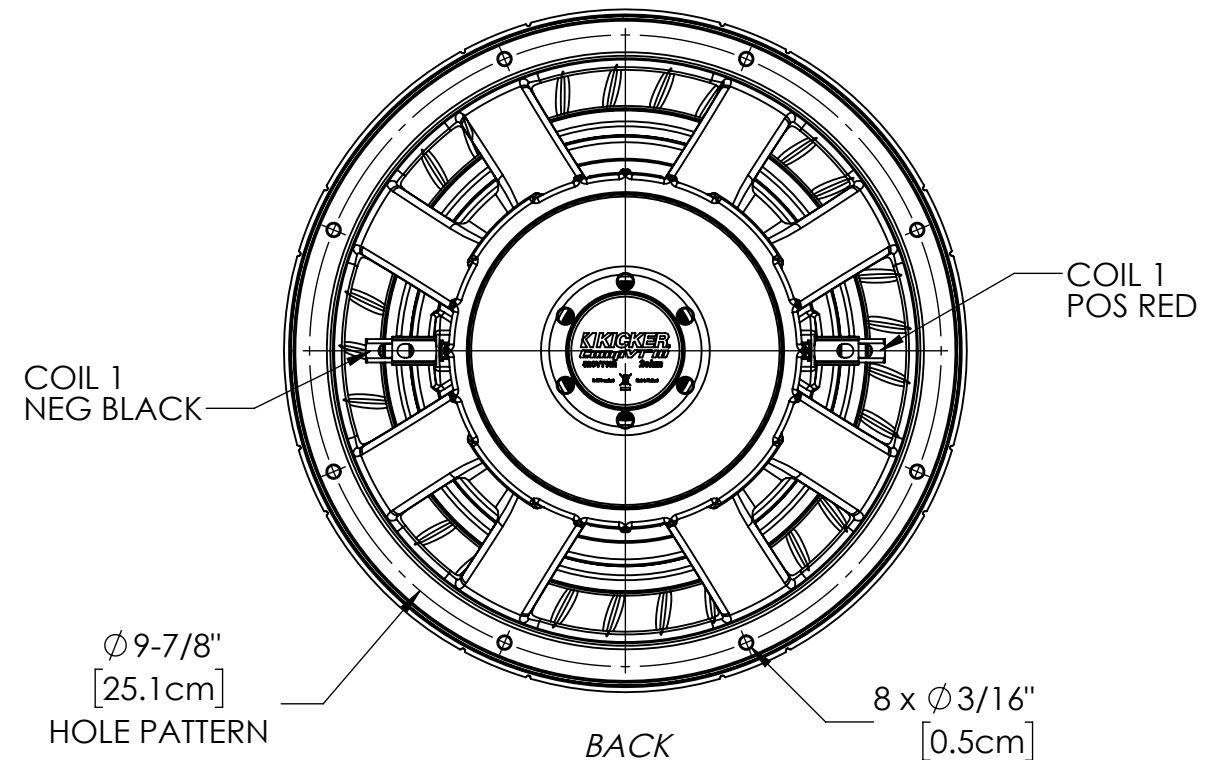
*MOUNTING DEPTH DIMENSION ROUNDED UP TO NEAREST 1/16th"*  
*measured inches convert to mm equivalent add 1.6mm=1/16th then software rounds to nearest 1/16th*



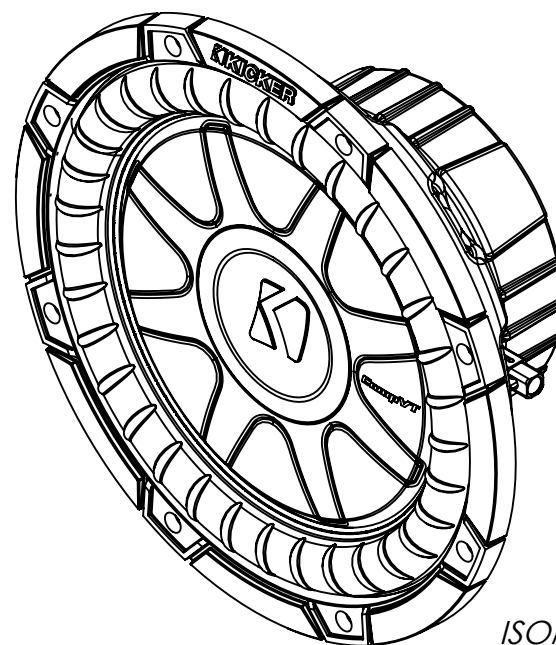
FRONT



4-1/4"  
[10.8cm]  
MOUNTING  
DEPTH  
SIDE



BACK



ISOMETRIC

Item Number	Impedance	Voice Coil $\phi$
52CVT102	2OHM SVC	2" [5.1cm]
52CVT104	4OHM SVC	2" [5.1cm]

## CUSTOMER SERVICE DIMENSIONS



DESCRIPTION:  
10" CompVT Subwoofer

SIZE	DWG. NO.	REV	SHEET
B	52CVT10	0	4/4