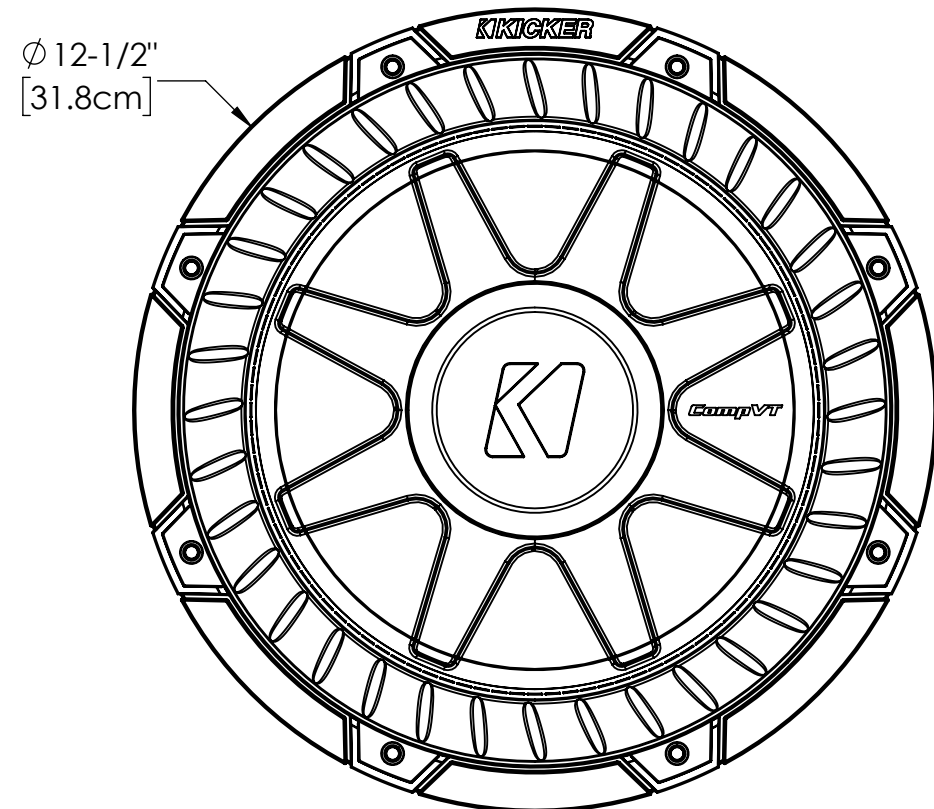
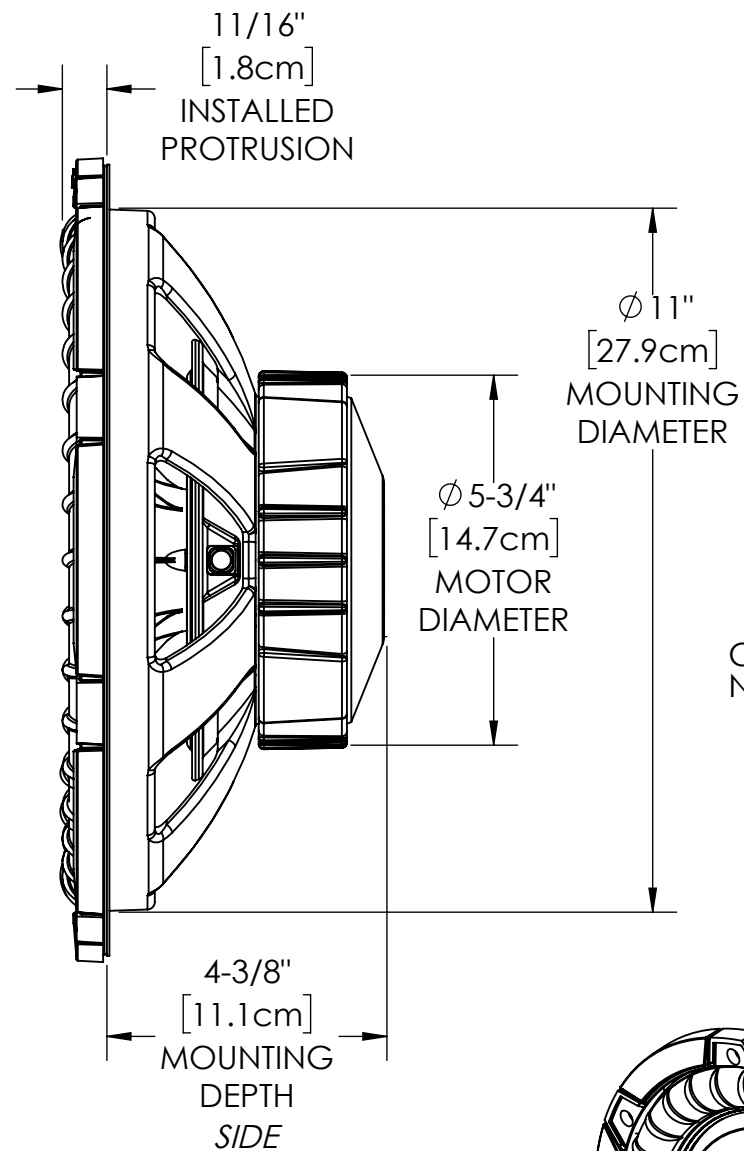


CARTON ART VIEWS/PUBLISHED DIMENSIONS SHEET

MOUNTING DEPTH DIMENSION ROUNDED UP TO NEAREST 1/16th"
measured inches convert to mm equivalent add 1.6mm=1/16th then software rounds to nearest 1/16th

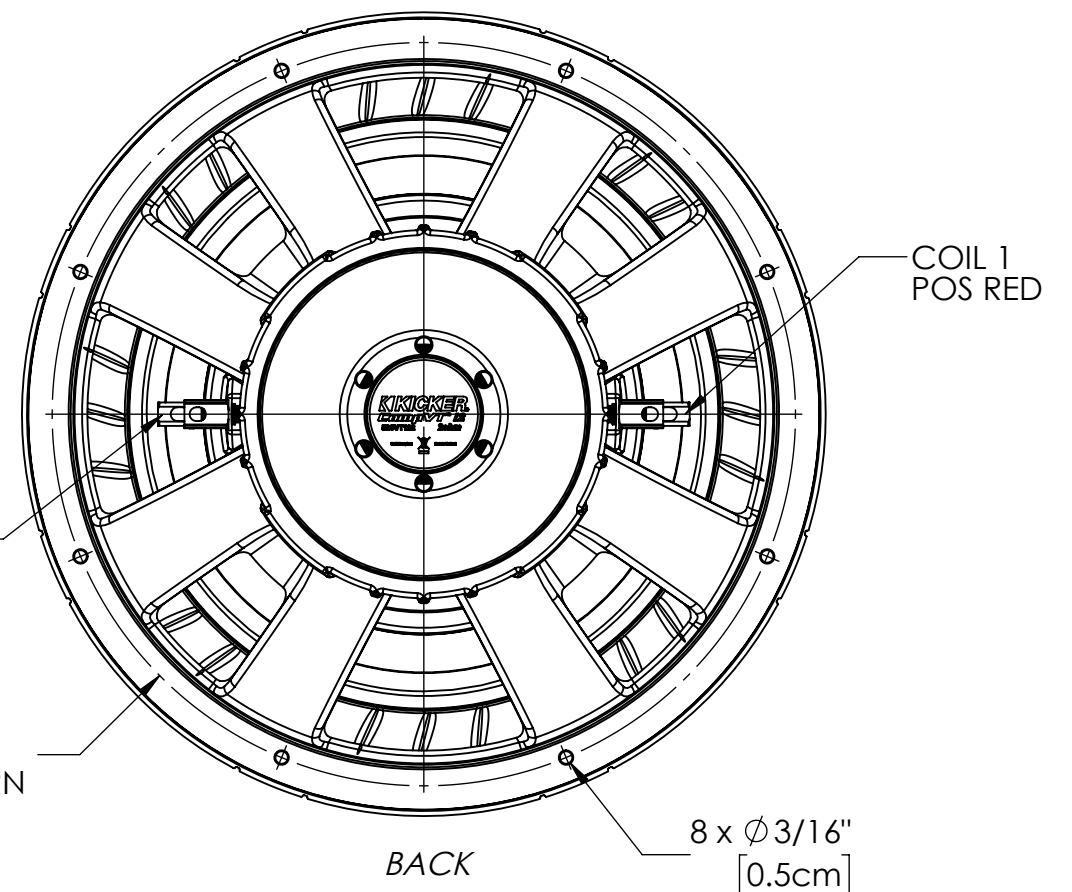


FRONT

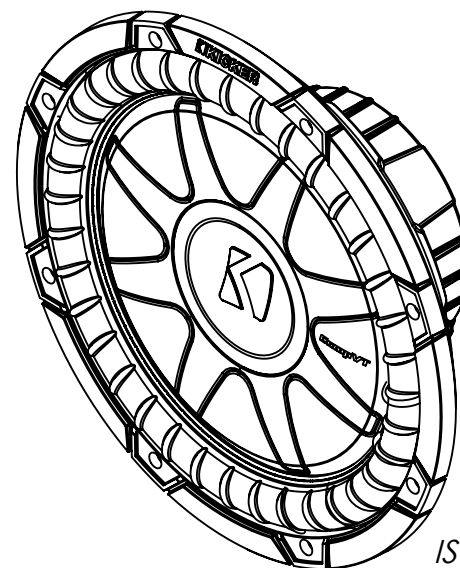


COIL 1
NEG BLACK

$\phi 11-5/8"$
[29.5cm]
HOLE PATTERN



BACK



ISOMETRIC

Item Number	Impedance	Voice Coil ϕ
52CVT122	2OHM SVC	2" [5.1cm]
52CVT124	4OHM SVC	2" [5.1cm]

CUSTOMER SERVICE DIMENSIONS



DESCRIPTION:
 12" CompVT Subwoofer

SIZE	DWG. NO.	REV	SHEET
B	52CVT12	0	4/4