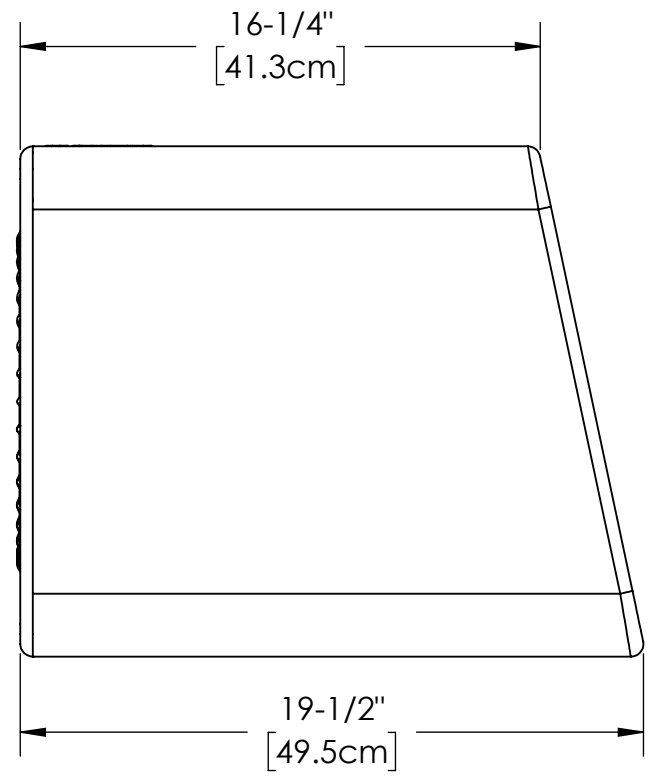
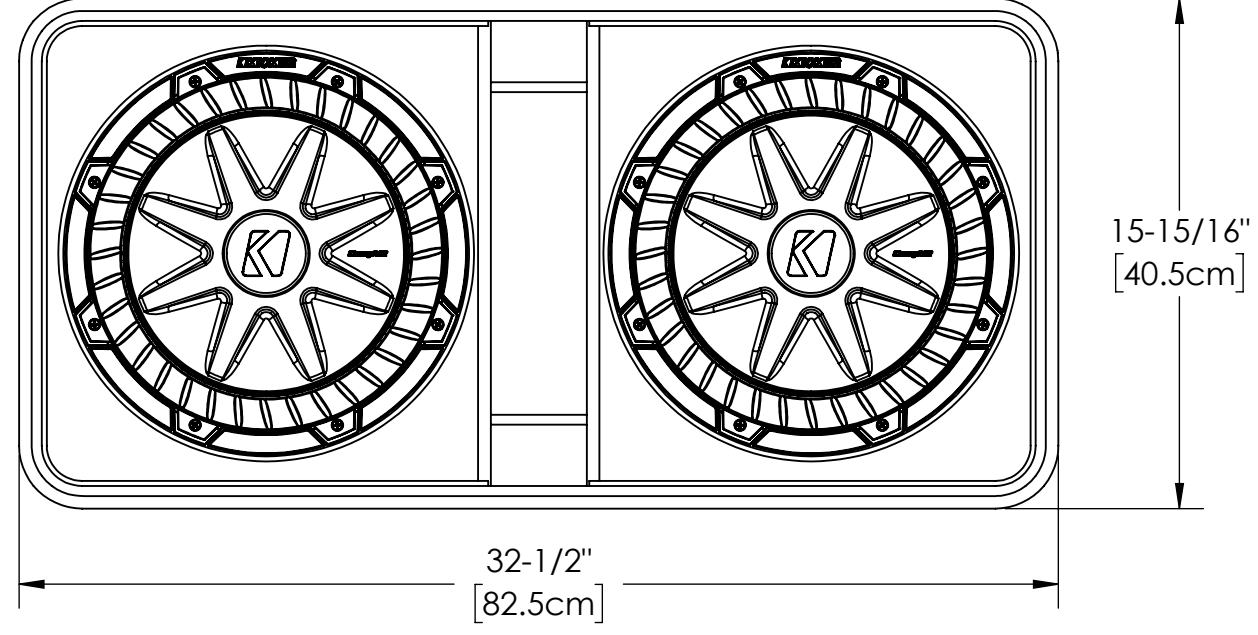
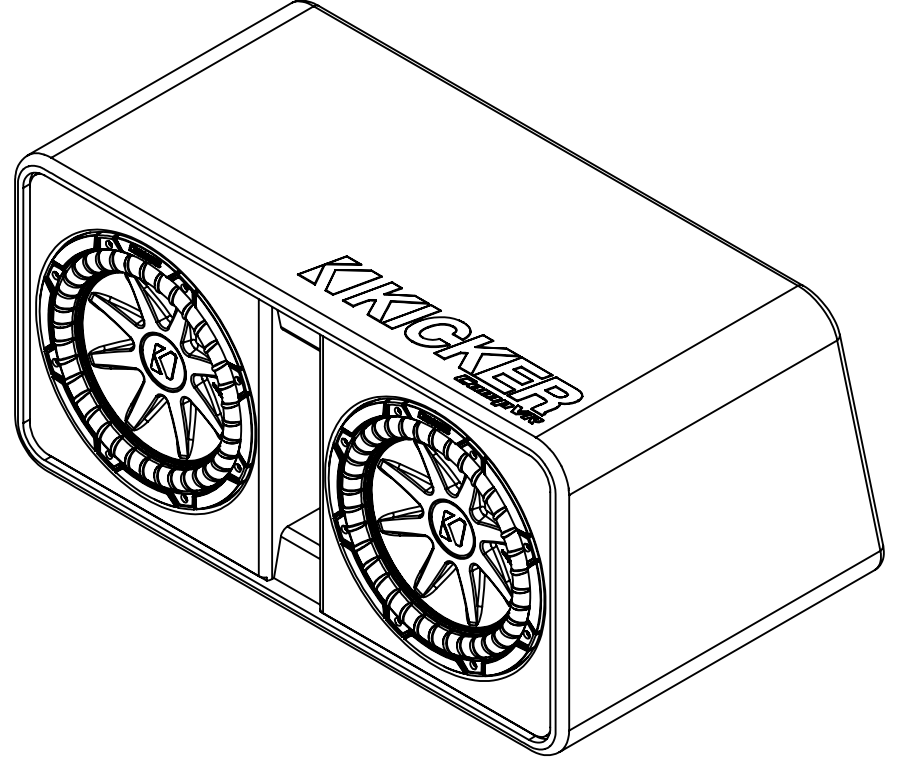
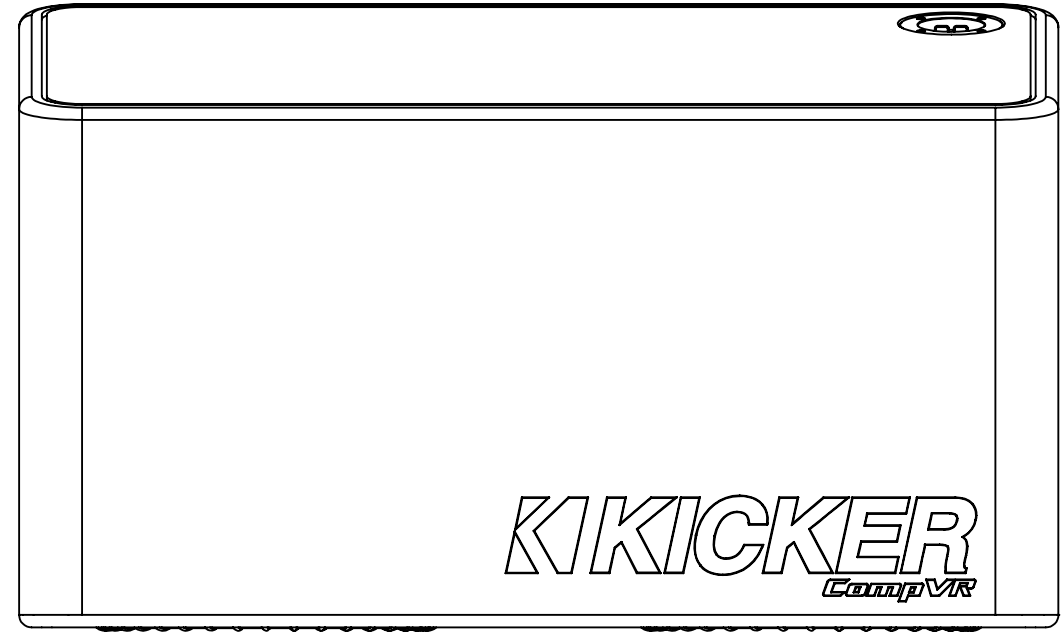


# CARTON ART VIEWS/PUBLISHED DIMENSIONS SHEET



Item Number	Impedance
52DCVR122	2OHM

**CUSTOMER SERVICE DIMENSIONS**

**KICKER**  
stillwaterdesigns

DESCRIPTION:  
12" DUAL CVR LOADED ENCLOSURE

SIZE	DWG. NO.	REV	SHEET
B	52DCVR122	0	4/4