

**KICKER**<sup>®</sup>

**Owner's Manual**

**KMFC**

**Marine Tower System**

**Owner's Manual**

**KMFC9 | KMFC11**

Manual del Propietario | **Español**  
Gabinete de torre KICKER MARINE

Benutzerhandbuch | **Deutsch**  
KICKER MARINE Can-Gehäuse

Manuel d'utilisation | **Française**  
Boîtiers pour haut-parleurs verticaux  
KICKER MARINE



## KICKER Marine Tower Systems Owner's Manual

**MODEL:** **KMFC9 | KMFC11**

Authorized KICKER Dealer: \_\_\_\_\_

Purchase Date: \_\_\_\_\_

Serial Number: \_\_\_\_\_

The KICKER KMFC Marine Tower Systems are the perfect way to bring your music out into the marine or power sports environment. The KMFC9 and KMFC11 come loaded with KICKER KM LED speakers. The injection-molded ABS enclosures are UV treated, splash resistant, and weather resilient. Mount the KMFC Marine Tower Systems in your boat or get creative with a pair of them in the garage, or in any other surface-mounted application.

<b>Model:</b>	<b>KMFC9</b>	<b>KMFC11</b>
Woofer [in, cm]	9, 23	11, 28
Horn Loaded Compression Driver [in,mm]	1, 25	1, 25
Compression Driver Voice Coil Diameter [in,mm]	1-3/8, 35	1-3/8, 35
Dome Material	Titanium	Titanium
Rated Impedance [ $\Omega$ ]	4	4
Sensitivity [1W, 1m]	92 dB	93 dB
Frequency Response [Hz]	20-20,000	20-20,000
Peak Power Handling [ Watts]	600	600
Recommended Amplifier Power [Watts RMS]	150-300	150-300
Enclosure Diameter/Width [in, cm]	9-13/16, 24.9	11-7/8, 30.2
Enclosure Depth [in, cm]	10-7/8, 27.7	12-11/16, 32.3
Enclosure Height (from bottom of roll bar) [in, cm]	11-9/16, 29.4	13-5/8, 34.6
Enclosure Height (bracket top to enclosure bottom) [in, cm]	13-9/16, 34.4	15-9/16, 39.6

## INSTALLATION

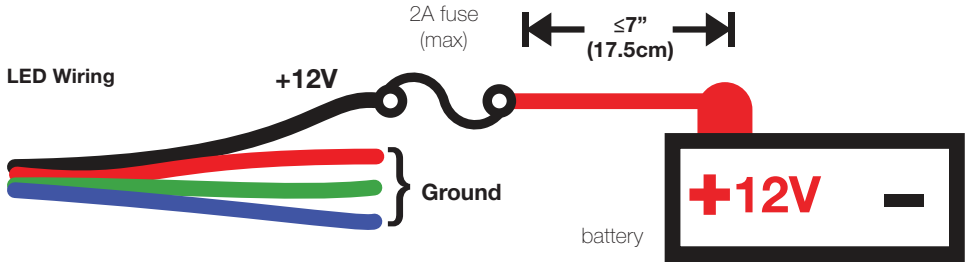
**IMPORTANT:** You **must** apply a thin layer of Loctite Threadlocker 271 (red - not included) anti-seize compound to **ALL** threaded bolts and fasteners before installation.

**Before you begin:** Determine the location and placement of the KMFC Marine Tower System onto the surface to which you are mounting. Spreading the KMFC Marine Tower System apart will provide better stereo performance, and is usually preferable. When determining the best locations for mounting, be careful to look for obstacles or obstructions that could complicate mounting the KMFC. Please keep in mind the routing of your speaker wires as this can affect where you finally mount your cans. If routing speaker wire, drill 9/16" size holes and protect the wiring and materials using a grommet before mounting. The four by 2.5" (64mm) bolt pattern accepts multiple styles of fasteners, providing ease of fitment to existing vehicles while also speeding assembly. The KMFC mount accepts either 5/16" or 8mm bolts and nuts. Three bolting configurations are designed into the mount providing the customer with options to best fit their application. The use of flat washers is suggested between the mounting surface and tightening fastener. The four by 2.5" (64mm) bolt pattern accepts multiple styles of fasteners, providing ease of fitment to existing vehicles while also speeding assembly.

KICKER recommends you splice the electrical wire to your vehicle's audio harness and secure them using marine grade waterproof crimp connectors, heat shrink, or another method of marine grade electrical wire splicing. It is also strongly recommended that you use a full-range amplifier signal. A high-pass crossover set from 30Hz–50Hz should be used, and can be set to 70Hz for music with heavy bass. When hard-wiring the RGB lighting, the black lead is +12V and the red, green, and blue leads are ground. Splice and combine the ground wires to yield a different color. There are seven colors available, depending on your wiring configuration. KICKER recommends using the KMLC lighting controller (sold separately) for more colors, patterns, and special effects.

**Black : +12V      Red : Ground      Green : Ground      Blue : Ground**

**Blue : Speaker +      Transparent : Speaker -**



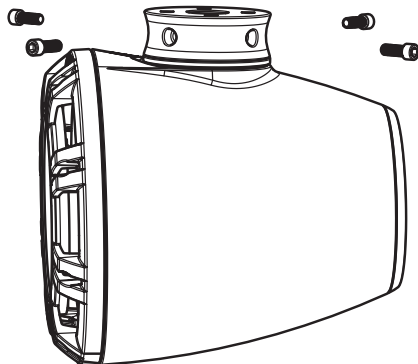
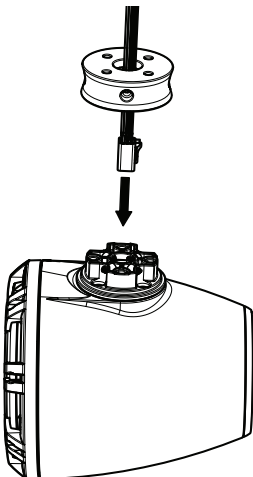
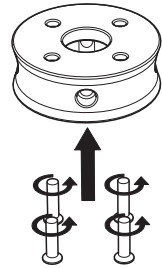
**Bolt-Thru Mounting**

Bolt-thru-mounting of the KMFC mounting system requires use of socket head bolts (socket head bolts for bolt-thru-mounting are not included). Thru mounting allows for the mount to be secured to a surface that has previously been tapped with threads. Nuts may also be use in place of tapped threads.

**Step 1:** Secure the vehicle-side mounting bracket using four socket head bolts. If an existing mounting point with tapped threads is not available, use the included nuts. Torque fasteners to 10 ft-lbs.

**Step 2:** Plug the electrical connector into the speaker enclosure.

**Step 3:** Orient enclosure into the mount as desired and secure using the four supplied 7/8" long 5/16"-18UNC socket head bolts. Torque 7/8" long 5/16"-18UNC socket head bolts to 10 ft-lbs.



## Bolt-To Mounting

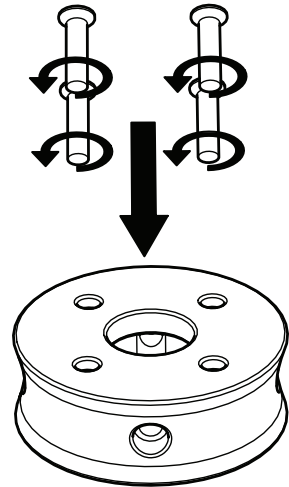
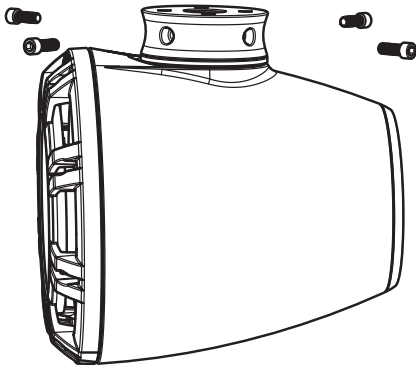
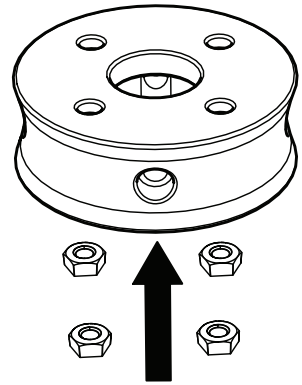
Bolt-to-mounting allows for the mounting system and speaker to be pre-assembled and then bolted to a surface. Unlike bolt-thru-mounting, nuts are secured within the mount and the mount is assembled onto the enclosure. The bolts are routed through the mounting surface and then threaded into the mount.

**Step 1:** Place the supplied four 5/16"-18UNC hex nuts into the mount.

**Step 2:** Place the mount, with 5/16"-18UNC hex nuts in it, onto the enclosure and secure using the four supplied 7/8" long 5/16"-18UNC socket head bolts. Torque 7/8" long 5/16"-18UNC socket head bolts to 10 ft-lbs.

**Step 3:** Plug the electrical connector into the speaker enclosure.

**Step 4:** Hold enclosure up to the desired surface and thread 1½" long 5/16"-18UNC hex head bolts through surface and into 5/16"-18UNC hex nuts. Torque bolts to 10 ft-lbs.



## Stud Mounting

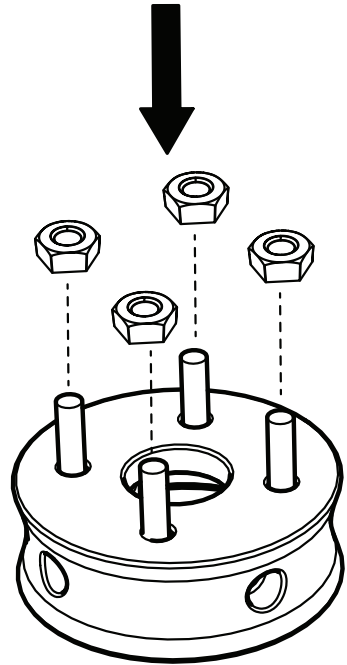
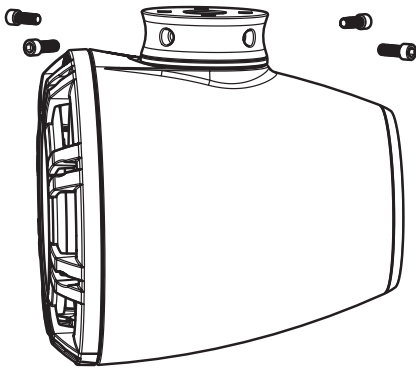
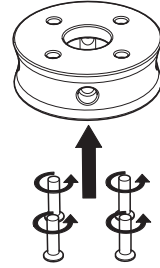
Similar to Bolt-to-Mounting, Stud Mounting allows for the mounting system and speaker to be pre-assembled and then bolted to a surface. The mounting bolts are retained inside the mount, creating studs to secure the enclosure to the desired surface. Nuts are threaded onto the studs from the other side of the mounting surface, securing the enclosure in place.

**Step 1:** Place the supplied four 1½" long 5/16"-18UNC hex head bolts through the mount.

**Step 2:** Place the mount onto the enclosure and secure using the four supplied 7/8" long 5/16"-18UNC socket head bolts. Torque 7/8" long 5/16"-18UNC socket head bolts to 10 ft-lbs.

**Step 3:** Plug the electrical connector into the enclosure.

**Step 4:** Place enclosure on desired surface and secure using the 5/16"-18UNC hex nuts. Torque the four 5/16"-18UNC hex nuts to 10 ft-lbs.

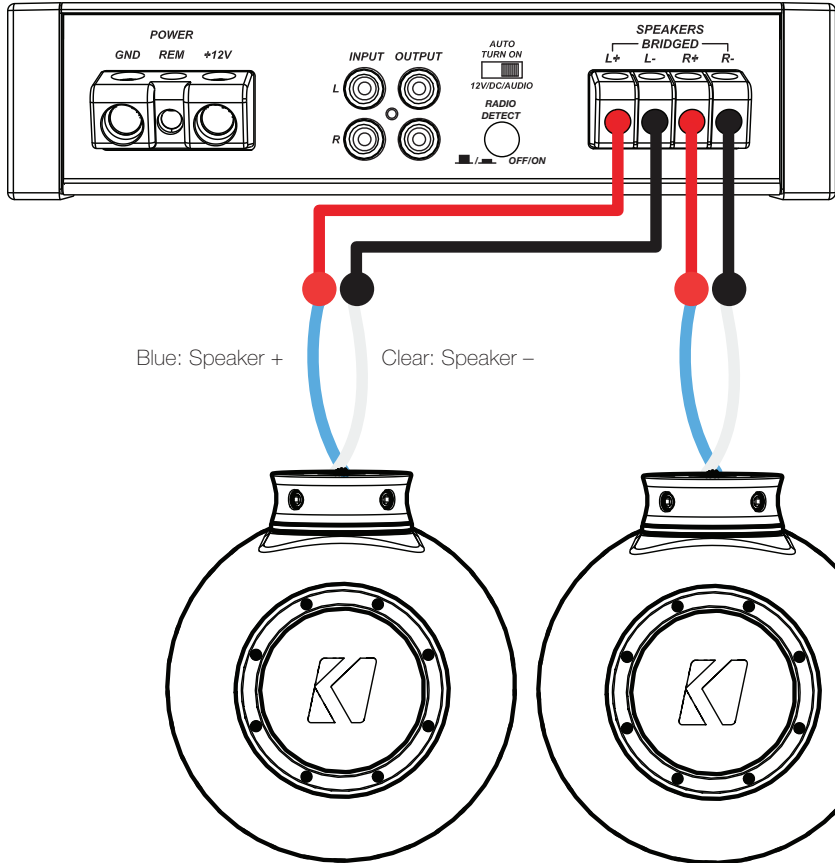


# STEREO OPERATION

4 ohms

*Though wired in parallel, the passive crossover results in a final impedance of 4 Ω.*

KXMA1200.2



## ACOUSTICS LIMITED WARRANTY

When purchased from an Authorized KICKER Dealer, KICKER warrants this product to be free from defects in material and workmanship under normal use for a period of ONE (1) YEAR from date of original purchase. If this product is identified as "Refurbished" or "B Goods", the warranty is limited to a period of THREE (3) MONTHS from date of original purchase. In all cases you must have the original receipt. Should service be necessary under this warranty for any reason due to manufacturing defect or malfunction during the warranty period, KICKER will repair or replace (at its discretion) the defective merchandise with equivalent merchandise. Warranty replacements may have cosmetic scratches and blemishes. Discontinued products may be replaced with more current equivalent products. This warranty is valid only for the original purchaser and is not extended to owners of the product subsequent to the original purchaser. Any applicable implied warranties are limited in duration to a period of the express warranty as provided herein beginning with the date of the original purchase at retail, and no warranties, whether express or implied, shall apply to this product thereafter. Some states do not allow limitations on implied warranties; therefore, these exclusions may not apply to you. This warranty gives you specific legal rights; however you may have other rights that vary from state to state.

### WHAT TO DO IF YOU NEED WARRANTY OR SERVICE:

Defective merchandise should be returned to your local Authorized Stillwater Designs (KICKER) Dealer for warranty service. Assistance in locating an Authorized Dealer can be found at [www.kicker.com](http://www.kicker.com) or by contacting Stillwater Designs directly. You can confirm that a dealer is authorized by asking to see a current authorized dealer window decal.

If it becomes necessary for you to return defective merchandise directly to Stillwater Designs (KICKER), call the KICKER Customer Service Department at (405) 624-8510 for a Return Merchandise Authorization (RMA) number. Package only the defective items in a package that will prevent shipping damage, and return to:

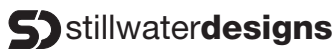
**Stillwater Designs, 3100 North Husband St, Stillwater, OK 74075**

The RMA number must be clearly marked on the outside of the package. Please return only defective component systems. The return of functioning items increases your return freight charges. Non-defective items will be returned freight collect to you. For example, if a subwoofer is defective, only return the defective subwoofer, not the entire enclosure. Include a copy of the original receipt with the purchase date clearly visible, and a "proof-of-purchase" statement listing the Customer's name, Dealer's name and invoice number, and product purchased. Warranty expiration on items without proof-of-purchase will be determined from the type of sale and manufacturing date code. Freight must be prepaid; items sent freight-collect, or COD, will be refused.

### WHAT IS NOT COVERED?

This warranty is valid only if the product is used for the purpose for which it was designed. It does not cover:

- o Damage due to improper installation
- o Subsequent damage to other components
- o Damage caused by exposure to excessive heat, chemical cleaners, and/or UV radiation
- o Damage through negligence, misuse, accident or abuse. Repeated returns for the same damage may be considered abuse
- o Any cost or expense related to the removal or reinstallation of product
- o Speakers damaged due to amplifier clipping or distortion
- o Items previously repaired or modified by any unauthorized repair facility
- o Return shipping on non-defective items
- o Products with tampered or missing barcode labels
- o Products with tampered or missing serial numbers
- o Products returned without a Return Merchandise Authorization (RMA) number
- o Products purchased from an UNAUTHORIZED dealer
- o Freight Damage
- o The cost of shipping product to KICKER
- o Service performed by anyone other than KICKER



### HOW LONG WILL IT TAKE?

KICKER strives to maintain a goal of one-week service for all acoustics (subwoofers, midrange drivers, tweeters, crossovers, etc) returns. Delays may be incurred if lack of replacement inventory or parts is encountered. Failure to follow these steps may void your warranty. Any questions can be directed to the KICKER Customer Service Department at (405) 624-8510. Contact your International KICKER dealer or distributor concerning specific procedures for your country's warranty policies.

**Note:** All specifications and performance figures are subject to change. Please visit [www.kicker.com](http://www.kicker.com) for the most current information.



## **INTERNATIONAL WARRANTY**

Contact your International KICKER dealer or distributor concerning specific procedures for your country's warranty policies.

Our goods come with guarantees that cannot be excluded under the **Australian Consumer Law**. You are entitled to a replacement or refund for a major failure and for compensation for any other reasonably foreseeable loss or damage. You are also entitled to have the goods repaired or replaced if the goods fail to be of acceptable quality and the failure does not amount to a major failure.

WARNING: KICKER products are capable of producing sound levels that can permanently damage your hearing! Turning up a system to a level that has audible distortion is more damaging to your ears than listening to an undistorted system at the same volume level. The threshold of pain is always an indicator that the sound level is too loud and may permanently damage your hearing. Please use common sense when controlling volume.

### **GARANTÍA INTERNACIONAL** ***Versión Español***

Comuníquese con su concesionario o distribuidor KICKER internacional para obtener información sobre procedimientos específicos relacionados con las normas de garantía de su país.

ADVERTENCIA: Los excitadores KICKER son capaces de producir niveles de sonido que pueden dañar permanentemente el oído. Subir el volumen del sistema hasta un nivel que produzca distorsión es más dañino para el oído que escuchar un sistema sin distorsión al mismo volumen. El dolor es siempre una indicación de que el sonido es muy fuerte y que puede dañar permanentemente el oído. Sea precavido cuando controle el volumen.

La frase "combustible para vivir la vida Livin' Loud™ a todo volumen" se refiere al entusiasmo por la vida que la marca KICKER de estéreos de automóvil representa y a la recomendación a nuestros clientes de que vivan lo mejor posible ("a todo volumen") en todo sentido. La línea de altavoces y amplificadores KICKER es la mejor del mercado de audio de automóviles y por lo tanto representa el "combustible" para vivir a todo volumen en el área de "estéreos de automóvil" de la vida de nuestros clientes. Recomendamos a todos nuestros clientes que obedezcan todas las reglas y reglamentos locales sobre ruido en cuanto a los niveles legales y apropiados de audición fuera del vehículo.

### **INTERNATIONALE GARANTIE** ***Deutsche Version***

Nehmen Sie mit Ihren internationalen KICKER-Fachhändler oder Vertrieb Kontakt auf, um Details über die Garantieleistungen in Ihrem Land zu erfahren.

WARNUNG: KICKER-Treiber können einen Schallpegel erzeugen, der zu permanenten Gehörschäden führen kann! Wenn Sie ein System auf einen Pegel stellen, der hörbare Verzerrungen erzeugt, schadet das Ihren Ohren mehr, als ein nicht verzerrtes System auf dem gleichen Lautstärkepegel. Die Schmerzschwelle ist immer eine Anzeige dafür, dass der Schallpegel zu laut ist und zu permanenten Gehörschäden führen kann. Seien Sie bei der Lautstärkeinstellung bitte vernünftig!

Der Slogan "Treibstoff für Livin' Loud" bezieht sich auf die mit den KICKER-Autostereosystemen assoziierte Lebensfreude und die Tatsache, dass wir unsere Kunden ermutigen, in allen Aspekten ihres Lebens nach dem Besten ("Livin' Loud") zu streben. Die Lautsprecher und Verstärker von KICKER sind auf dem Markt für Auto-Soundsysteme führend und stellen somit den "Treibstoff" für das Autostereoerlebnis unserer Kunden dar. Wir empfehlen allen unseren Kunden, sich bezüglich der zugelassenen und passenden Lautstärkepegel außerhalb des Autos an die örtlichen Lärmvorschriften zu halten.

### **GARANTIE INTERNATIONALE** ***Version Française***

Pour connaître les procédures propres à la politique de garantie de votre pays, contactez votre revendeur ou distributeur International KICKER.

AVERTISSEMENT: Les haut-parleurs KICKER ont la capacité de produire des niveaux sonores pouvant endommager l'ouïe de façon irréversible ! L'augmentation du volume d'un système jusqu'à un niveau présentant une distorsion audible endommage davantage l'ouïe que l'écoute d'un système sans distorsion au même volume. Le seuil de la douleur est toujours le signe que le niveau sonore est trop élevé et risque d'endommager l'ouïe de façon irréversible. Réglez le volume en faisant preuve de bon sens!

L'expression " carburant pour vivre plein pot " fait référence au dynamisme de la marque KICKER d'équipements audio pour véhicules et a pour but d'encourager nos clients à faire le maximum (" vivre plein pot ") dans tous les aspects de leur vie. Les haut-parleurs et amplificateurs KICKER sont les meilleurs dans le domaine des équipements audio et représentent donc pour nos client le " carburant pour vivre plein pot " dans l'aspect " installation audio de véhicule " de leur vie. Nous encourageons tous nos clients à respecter toutes les lois et réglementations locales relatives aux niveaux sonores acceptables à l'extérieur des véhicules.





