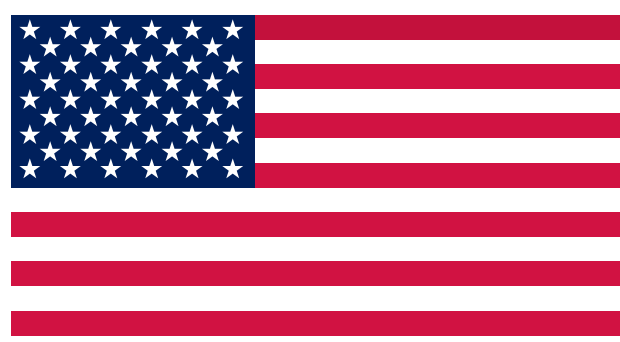


KICKER®

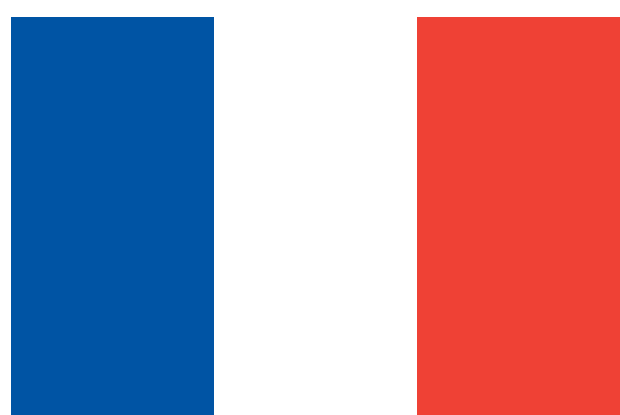
Owner's Manual
Manual del Propietario
Manuel d'utilisation
Benutzerhandbuch

KMXL Coaxials
Altavoz Coax KMXL
KMXL Koax-System
Haut-parleurs Coaxiaux KMXL

select language



*seleccione
el idioma*



*choisir la
langue*



*sprache
auswählen*

Contents

Overview	3
Specifications	4
Installation	5
Wiring Configuration.....	5
LED Wiring Configuration	6
Mounting.....	7
Mounting: KMXL65 in 2014–Newer Harley Davidson® FLHT.....	9
Mounting: KMXL69 in 46HDBL69 Saddle Bag Lids	12
Warranty	13
Garantía Garantie.....	48

Overview

IMPORTANT SAFETY WARNING

PROLONGED CONTINUOUS OPERATION OF AN AMPLIFIER, SPEAKER, OR SUBWOOFER IN A DISTORTED, CLIPPED OR OVER-POWERED MANNER CAN CAUSE YOUR AUDIO SYSTEM TO OVERHEAT, POSSIBLY CATCHING FIRE AND RESULTING IN SERIOUS DAMAGE TO YOUR COMPONENTS AND/OR VEHICLE. AMPLIFIERS REQUIRE UP TO 4 INCHES (10CM) OPEN VENTILATION. SUBWOOFERS SHOULD BE MOUNTED WITH AT LEAST 1 INCH (2.5CM) CLEARANCE BETWEEN THE FRONT OF THE SPEAKER AND ANY SURFACE. KICKER PRODUCTS ARE CAPABLE OF PRODUCING SOUND LEVELS THAT CAN PERMANENTLY DAMAGE YOUR HEARING! TURNING UP A SYSTEM TO A LEVEL THAT HAS AUDIBLE DISTORTION IS MORE DAMAGING TO YOUR EARS THAN LISTENING TO AN UNDISTORTED SYSTEM AT THE SAME VOLUME LEVEL. THE THRESHOLD OF PAIN IS ALWAYS AN INDICATOR THAT THE SOUND LEVEL IS TOO LOUD AND MAY PERMANENTLY DAMAGE YOUR HEARING. PLEASE USE COMMON SENSE WHEN CONTROLLING VOLUME.

The KICKER KMXL speakers are the ultimate full-range speakers for marine and outdoor environments that money can buy. Whether upgrading an existing audio system or decking out a new one, these coaxial speakers featuring a horn-loaded tweeter can be mounted in free air locations or in KICKER's award-winning line of marine tower enclosures. The KMXL deliver top-quality sound while taking the punishment of being out on the open water or exposed to the elements. As always, KICKER uses advanced materials and construction techniques to ensure optimal performance for years to come. We hope you have the chance to combine these new coaxial speakers with our whole line of marine products, including subwoofers and amplifiers, for the best audio experience money can buy!

Specifications

KMXL Coaxial Speakers	KMXL65	KMXL8	KMXL69
Woofer [in, mm]	6-1/2, 165	8, 200	6x9, 160x230
Peak Power Handling [Watts]	300	500	300
Recommended Amplifier Power [Watts RMS]	15-150	15-250	15-150
Sensitivity [1W, 1m]	92	93	92
Frequency Response [Hz]	90–20k	60–20k	70–20k
Mounting Hole Diameter [in, mm]	5-7/16, 139	6-5/8, 168	5-13/16 X 8-9/16 148 X 218
Mounting Depth [in, mm]	3-3/16, 81	3-11/16, 93	3-3/8, 85
Specifications Common to All Models			
Tweeter [in, mm]		1.25, 32	
Rated Impedance [Ω]		4	
Recommended Highpass Crossover for Maximum Power Handling		80Hz 12/octave	
Tweeter Magnet Material		Neodymium	
Tweeter Dome Material		Aluminum	
Tweeter Design		Compression Driver & Horn	
Woofer Cone Material		Polypropylene & Carbon Fiber	
Woofer Surround Material		Treated Cloth	
Grilles		Yes	

KMXL65 and KMXL8 grilles can be rotated around the speaker in increments of 45-degrees to achieve the desired KICKER logo orientation. The KICKER logo is provided on a badge so that it may also be rotated in 180-degree increments.

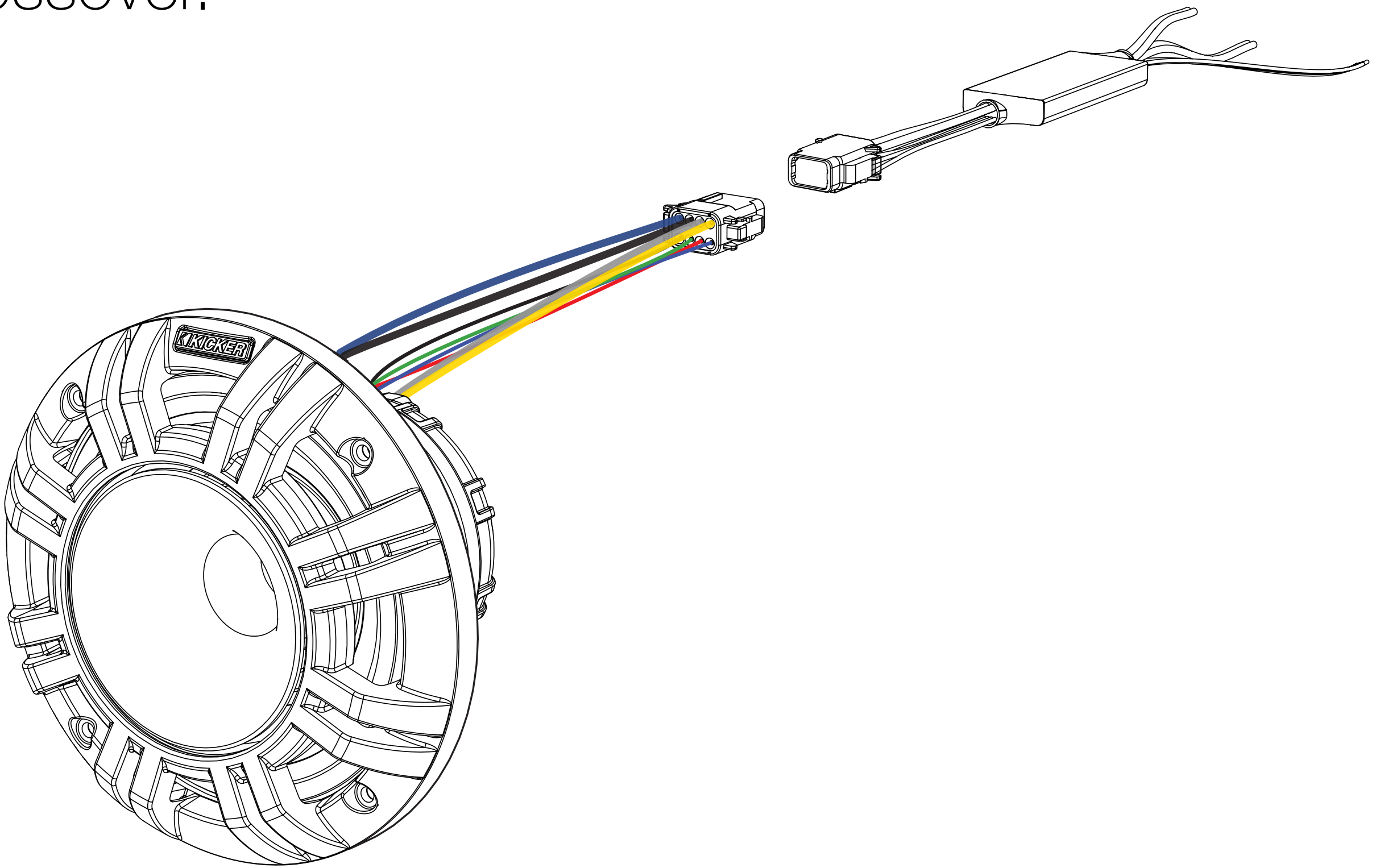
Note: All specifications and performance figures are subject to change. Please visit www.kicker.com for the most current information. To get the best performance from your new KICKER speakers, we recommend using genuine KICKER accessories and wiring. Please allow two weeks of break-in time for the speakers to reach optimum performance.

Installation

Wiring Configuration

We recommend using 16 gauge (or larger) wire. The KMXL Speakers are rated at 4 ohms and work with any source unit or amplifier designed to operate at a 4 ohm load. **Make sure your source unit or amplifier is rated for 4 ohm operation.** Carefully run the speaker wire in a location that is clear of standing water and moving components of the boat. At least two amplifier channels are needed for stereo operation

1. Connect the KMXL speaker plug to the KMXL crossover.



2. Connect the KMXL crossover speaker leads to the speaker output terminals of your amplifier.

- a. CLEAR BLUE WIRE - POSITIVE (+)
- b. CLEAR BLACK WIRE - NEGATIVE (-)

Pro Tip: You're a KICKER KXM amplifier and a few cables away from a full system upgrade that will dominate any factory system! KICKER line of amplifiers make it easy to upgrade to solid bass with your existing or stock source unit. Also, ask your dealer about KICKER Subwoofer upgrades.

LED Wiring Configuration

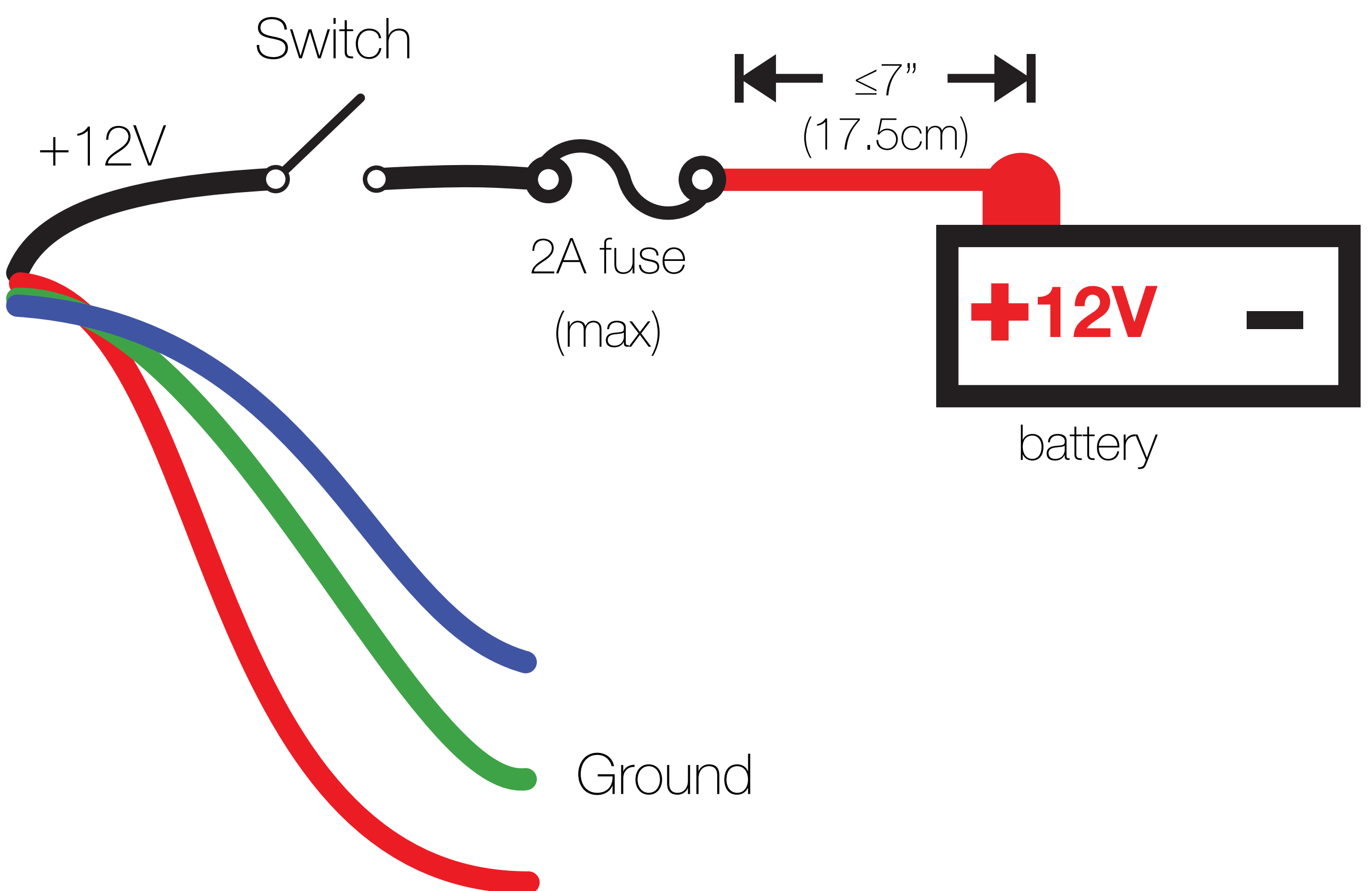
When hard-wiring the LED lighting, the black lead is +12V and the blue, red and green leads are ground.

1. Connect the black LED wire to the positive terminal of the battery.

a. Place a 2-amp fuse (not included) no further than 7" away from the battery terminal.

b. Install a switch (not included) on the black LED wire between the fuse and the speaker, so the LED's can be turned off. Without a switch to turn them off, they will always be on.

2. Connect the red, blue and/or green LED wires to the negative terminal of the battery. See the chart below for available combinations.



Color Combinations: Splice and combine the ground wires to yield a different color.

Wires Connected to Negative Terminal	LED Color
Red	Red
Green	Green
Blue	Blue
Red/Green	Lime Green
Red/Blue	Magenta
Blue/Green	Aquamarine
Red/Green/Blue	Blue-White

Mounting

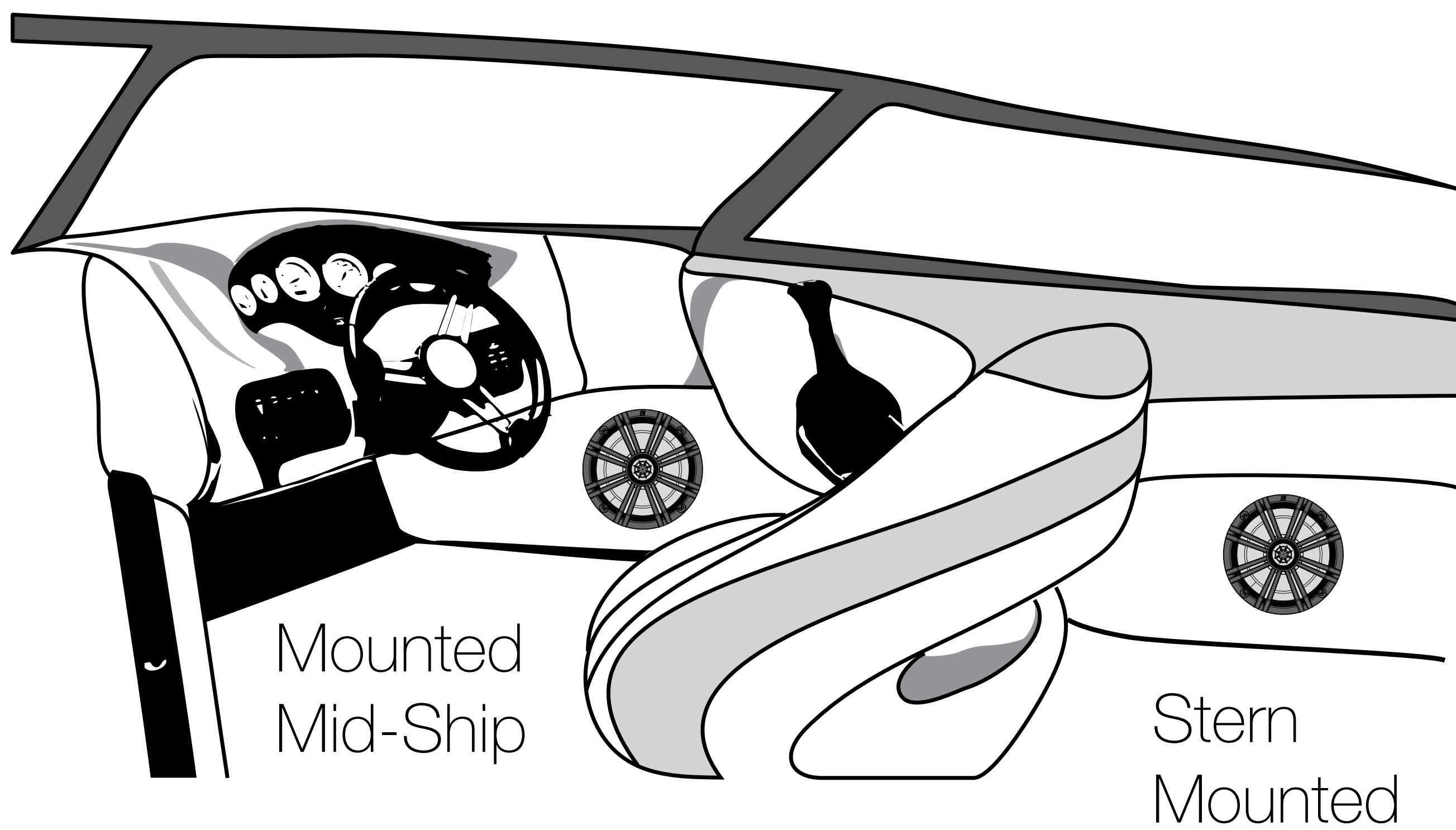
The sound produced by the KMXL coaxials is directional. Find the best location for stereophonic sound. If necessary, add more KMXL coaxial speakers to the system to help distribute and balance the sound-stage.

After determining the best mounting locations, carefully check the areas where the mounting hardware will be placed. If a mounting location does not already exist, cut a hole in the desired location using the templates from the [KMXL product page](#) at KICKER.com. If necessary, pre-drill the mounting screw holes using a 7/64" (2.5mm) bit following the template. For KMXL65 and KMXL8 only: Note the screw holes that will be used to secure the grille in the desired orientation. Install four screws in the other holes not to be used for the grille to secure the speaker to the surface.

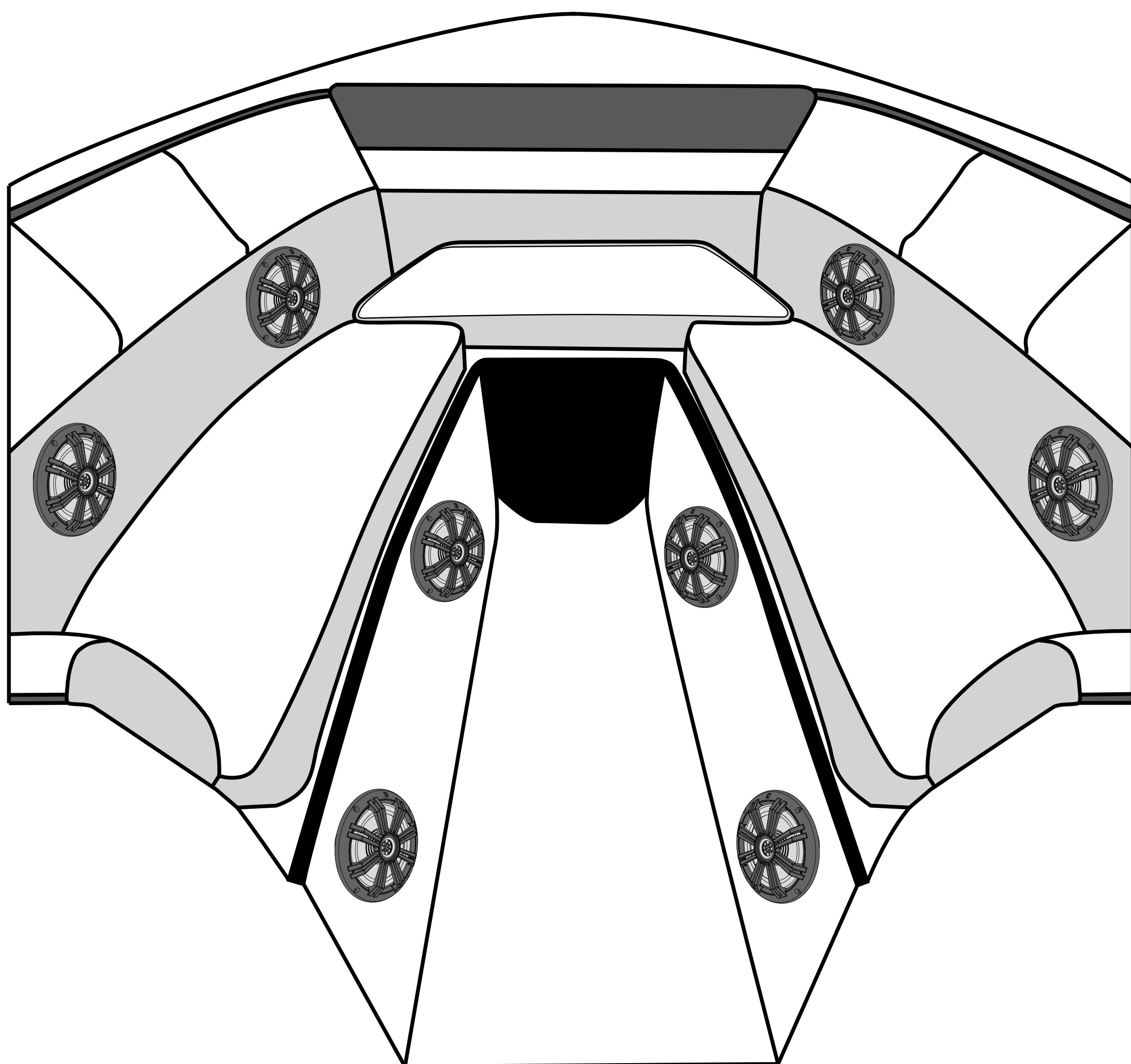
Use masking tape to help prevent damage to the paint in the locations to be cut or drilled. If you are mounting the speaker to a surface made from thin, soft material such as aluminum, use the provided stainless steel speed nuts to provide threads for the stainless steel mounting screws. If the speaker cut-out locations require you to cut metal, avoid structural metal and braces. If the panel cannot support the weight of the speaker, an optional reinforcing ring may be fastened or adhered to it.

Make sure the mounting screws and speed nuts will not puncture the fuel cell, wiring, or interfere with any mechanical parts on the underside of the mounting surface. If the supplied hardware is not applicable to your installation, some other means of securely attaching the speakers to the boat must be used, such as the [KMTC Towers](#).

Secure speaker to desired location. Possible locations for KMXL Coaxial Speaker Mounting



Mounted in the Bow

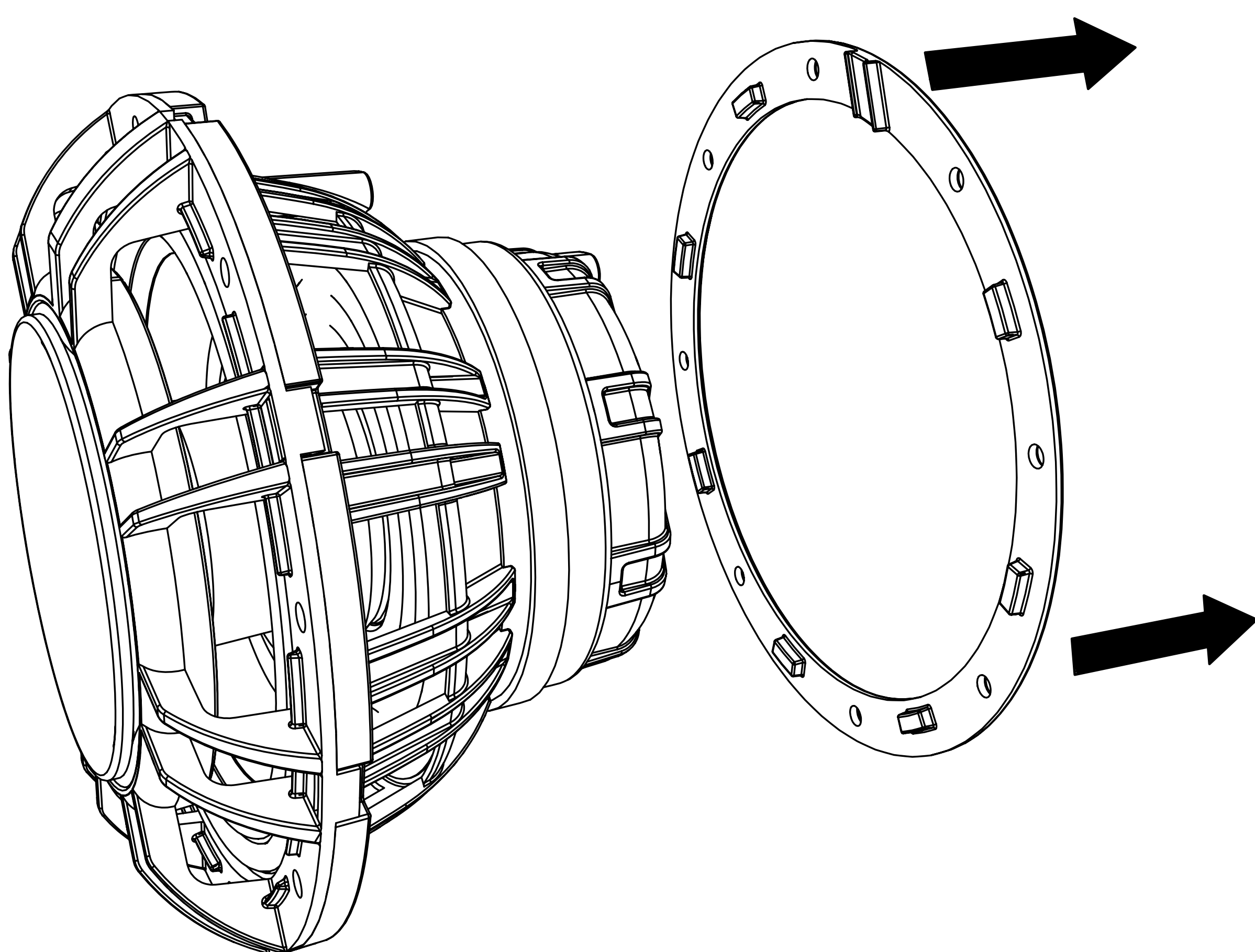


Mounting: KMXL65 in 2014–Newer Harley Davidson® FLHT

Before You Begin: You must replace the factory speaker grilles with [KICKER 45HDSG grilles](#).

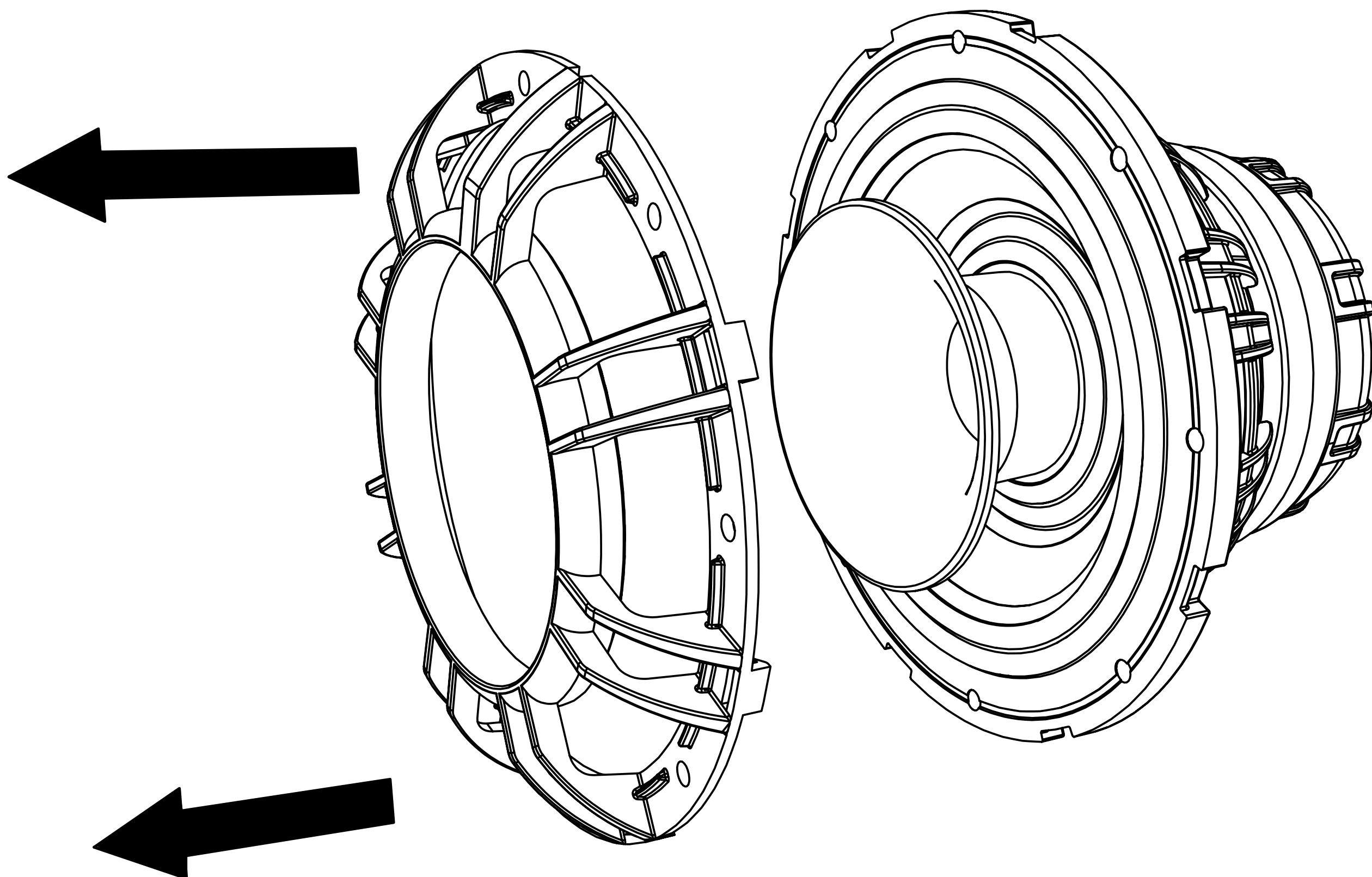
The KMXL65 will fit in FLHT fairings, but requires modification that removes the LED bridge and gasket. KMXL65 LED lighting will not work in the FLHT fairings.

1. Remove and discard the silicone gasket from the flange of the KMXL65.

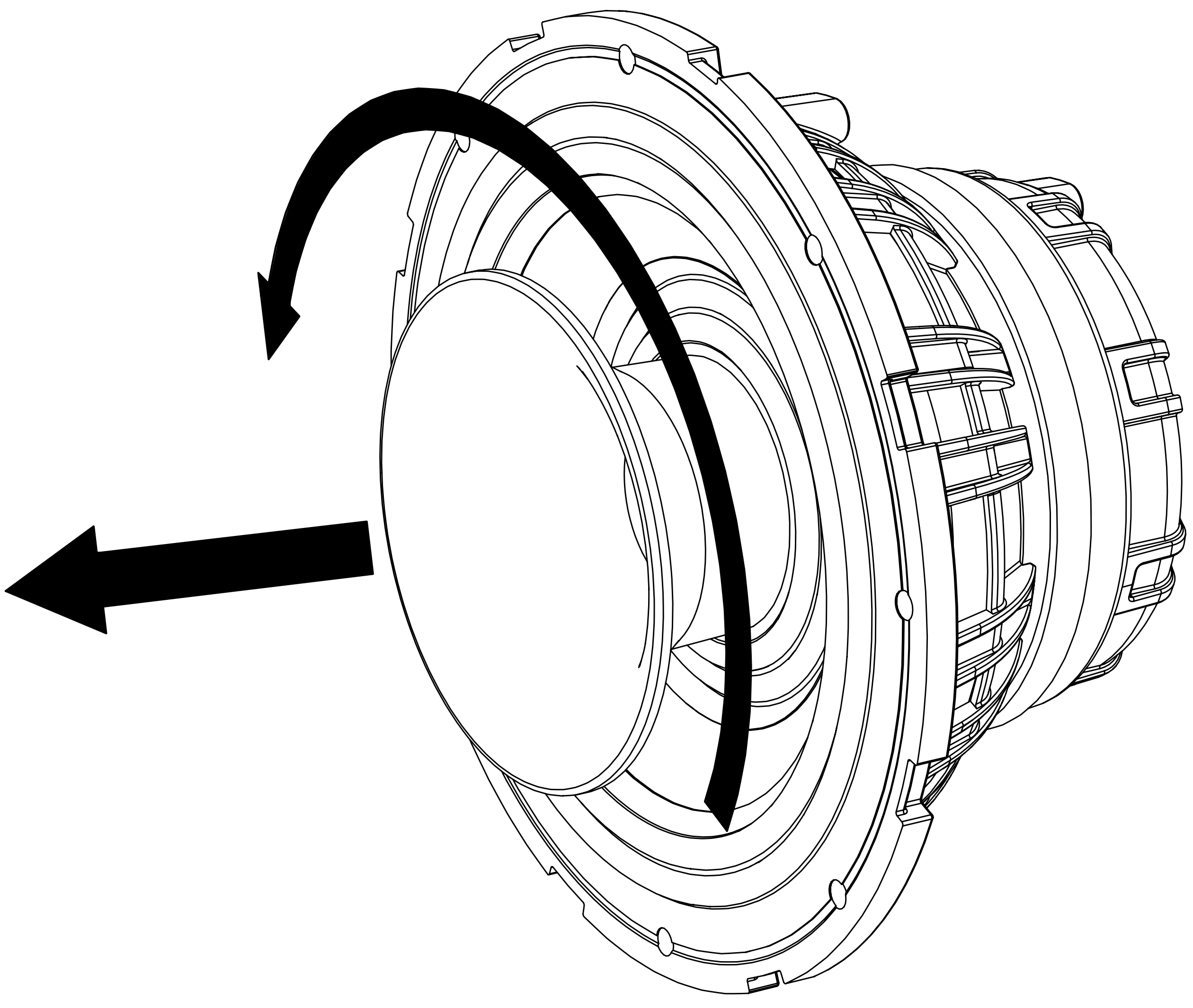


2. Remove the KMXL Speaker Plug by unpinning the speaker wires and LED wires from the connector. Note the cavity location of each wire color.

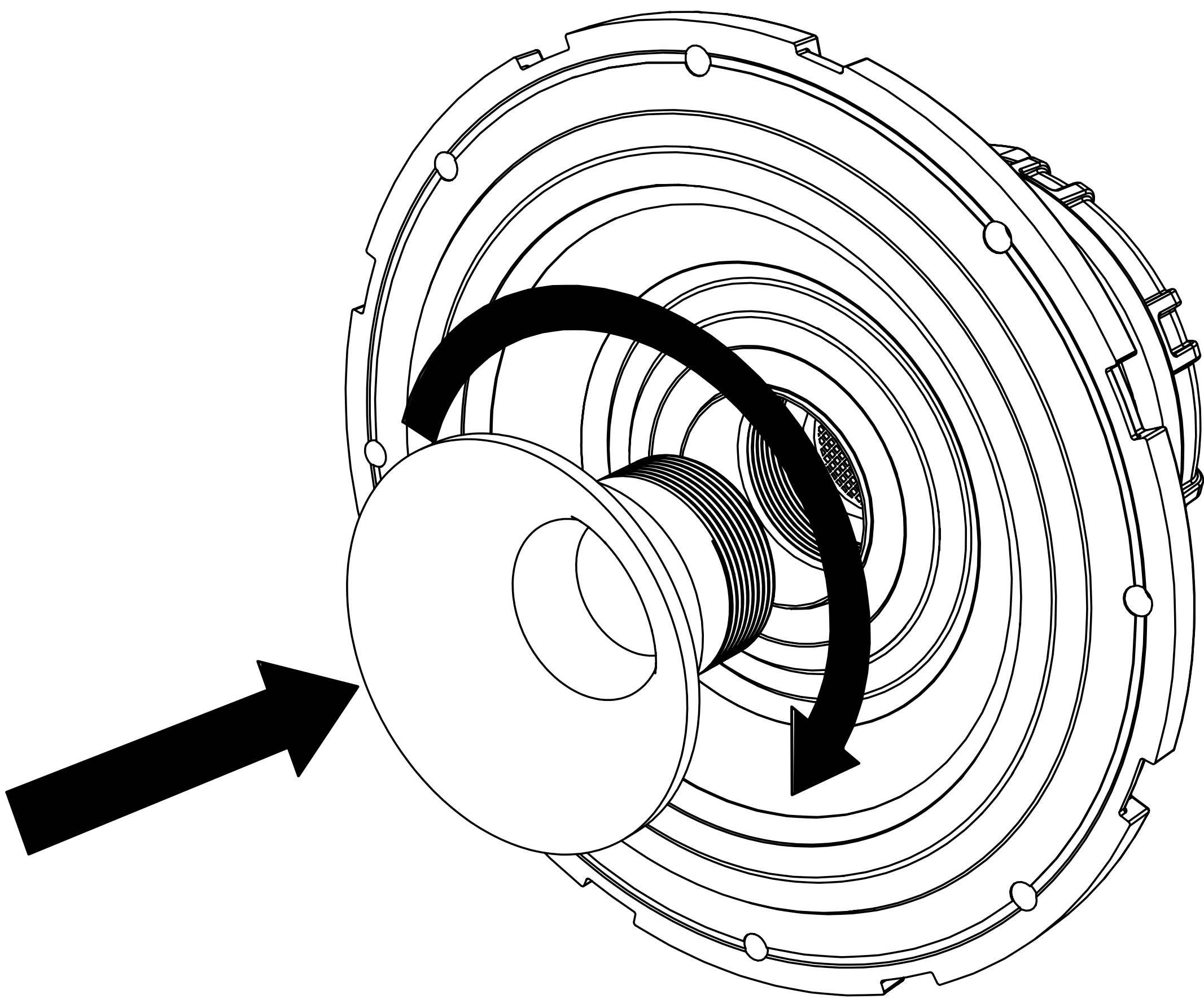
3. Remove and discard the LED bridge.



4. Unthread, remove and discard the installed horn.



5. Install the provided shorthorn into the speaker.

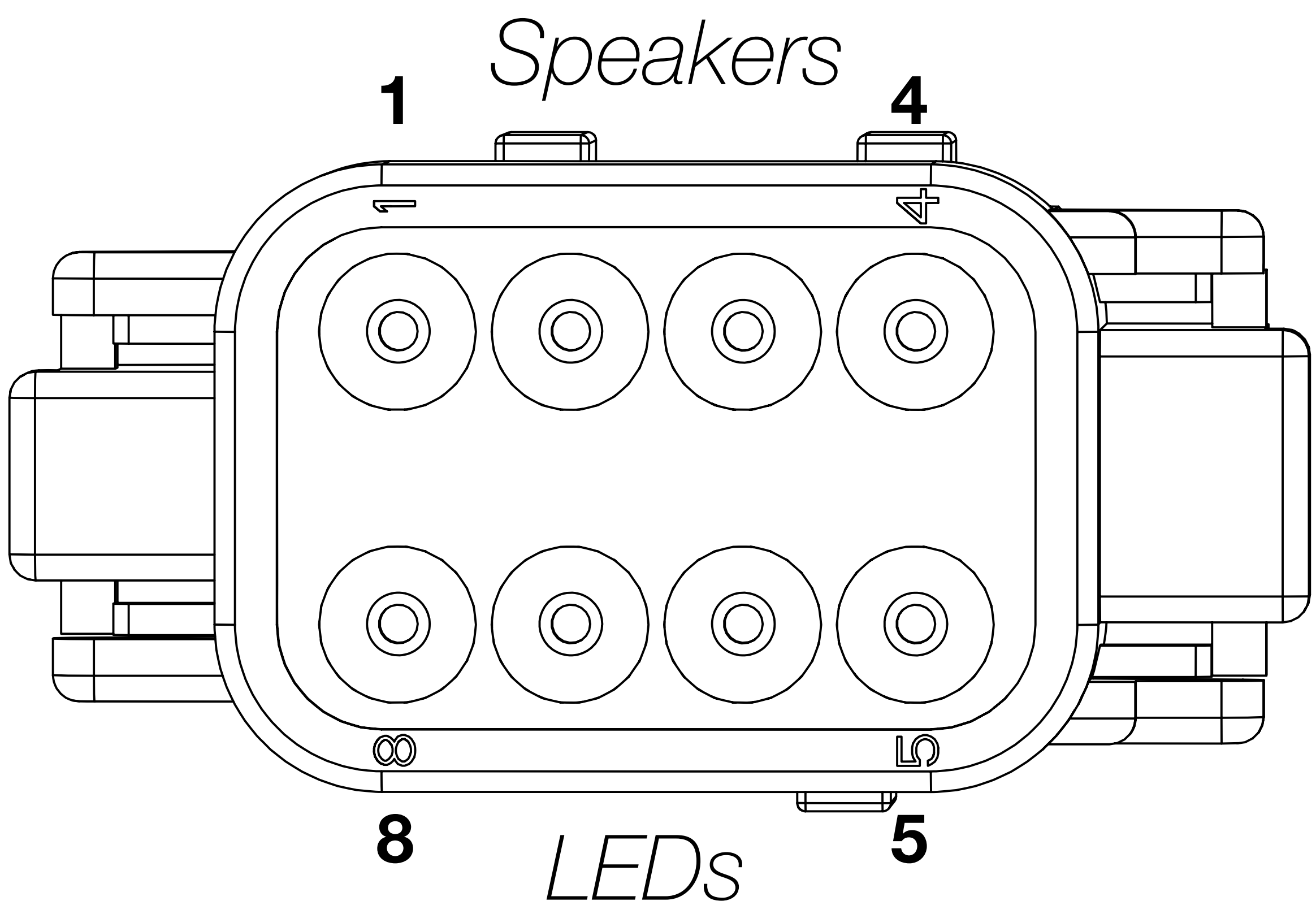


6. Remove the factory grilles from the inner fairing.

7. Install the KICKER 45HDSG grilles in the inner fairing.

8. Route the wires through the enclosure and install the speakers into the fairing's enclosures.

9. Insert the speaker wire leads into the correct cavities of the connector housing.



- 1 - 16AWG Clear Blue**
- 2 - 16AWG Clear Black**
- 3 - 16AWG Clear Insulation Silver**
- 4 - 16AWG Clear Insulation Gold**
- 5 - 22AWG Blue**
- 6 - 22AWG Red**
- 7 - 22AWG Green**
- 8 - 22AWG Black**

Mounting: KMXL69 in 46HDBL69 Saddle Bag Lids

The KMXL69 bolts directly into the [KICKER 46HDBL69](#) saddle bag lids. Discard the grilles for mounting in this application.

1. Install the KMXL69 speakers into the Kicker 46HDBL69 saddle bag lids per the [46HDBL69 Installation Instructions](#).
2. Extend the speakers wires considering the mounting location of the crossover.

Warranty

When purchased from an Authorized KICKER Dealer, KICKER warrants this product to be free from defects in material and workmanship under normal use for a period of THREE (3) YEARS from date of original purchase with receipt. If this product is identified as "Refurbished" or "B Goods", the warranty is limited to a period of THREE (3) MONTHS from the date of original purchase. In all cases you must have the original receipt. Should service be necessary under this warranty for any reason due to manufacturing defect or malfunction during the warranty period, KICKER will repair or replace (at its discretion) the defective merchandise with equivalent merchandise. Warranty replacements may have cosmetic scratches and blemishes. Discontinued products may be replaced with more current equivalent products. This warranty is valid only for the original purchaser and is not extended to owners of the product subsequent to the original purchaser. Any applicable implied warranties are limited in duration to a period of the express warranty as provided herein beginning with the date of the original purchase at retail, and no warranties, whether express or implied, shall apply to this product thereafter. Some states do not allow limitations on implied warranties; therefore, these exclusions may not apply to you. This warranty gives you specific legal rights; however you may have other rights that vary from state to state.

WHAT TO DO IF YOU NEED WARRANTY OR SERVICE:

Defective merchandise should be returned to your local Authorized Stillwater Designs (KICKER) Dealer for warranty service. Assistance in locating an Authorized Dealer can be found at www.KICKER.com or by contacting Stillwater Designs directly. You can confirm that a dealer is authorized by asking to see a current authorized dealer window decal.

If it becomes necessary for you to return defective merchandise directly to Stillwater Designs (KICKER), call the KICKER Customer Service Department at (405) 624-8510 for a Return Merchandise Authorization (RMA) number. Package only the defective items in a package that will prevent shipping damage, and return to:

Stillwater Designs
3100 North Husband St
Stillwater, OK 74075

The RMA number must be clearly marked on the outside of the package. Please return only defective components. The return of functioning items increases your return freight charges. Non-defective items will be returned freight collect to you. For example, if a subwoofer is defective, only return the defective subwoofer, not the entire enclosure. Include a copy of the original receipt with the purchase date clearly visible, and a “proof-of-purchase” statement listing the Customer’s name, Dealer’s name and invoice number, and product purchased. Warranty expiration on items without proof-of-purchase will be determined from the type of sale and manufacturing date code. Freight must be prepaid; items sent freight-collect, or COD, will be refused.

WHAT IS NOT COVERED?

This warranty is valid only if the product is used for the purpose for which it was designed. It does not cover:

- o Damage due to improper installation
- o Subsequent damage to other components
- o Damage caused by exposure to moisture, excessive heat, chemical cleaners, and/or UV radiation
- o Damage through negligence, misuse, accident or abuse. Repeated returns for the same damage may be considered abuse
- o Any cost or expense related to the removal or reinstallation of product
- o Speakers damaged due to amplifier clipping or distortion
- o Items previously repaired or modified by any unauthorized repair facility
- o Return shipping on non-defective items
- o Products with tampered or missing barcode labels
- o Products with tampered or missing serial numbers
- o Products returned without a Return Merchandise Authorization (RMA) number
- o Products purchased from an UNAUTHORIZED dealer
- o Freight Damage
- o The cost of shipping product to KICKER
- o Service performed by anyone other than KICKER

HOW LONG WILL IT TAKE?

KICKER strives to maintain a goal of one-week service for all acoustics (subwoofers, midrange drivers, tweeters, crossovers, etc) returns. Delays may be incurred if lack of replacement inventory or parts is encountered. Failure to follow these steps may void your warranty. Any questions can be directed to the KICKER Customer Service Department at (405) 624-8510. Contact your International KICKER dealer or distributor concerning specific procedures for your country’s warranty policies.

Contenido

Descripción general.....	16
Especificaciones	17
Instalación	18
Configuración del cableado.....	18
Configuración del cableado LED	19
Montaje.....	20
Montaje: KMXL65 en motocicletas Harley Davidson® FLHT versiones 2014 en adelante	22
Montaje: KMXL69 en las tapas de alforja 46HDBL69.....	25
Garantía Garantie	48

Descripción general

ADVERTENCIA IMPORTANTE DE SEGURIDAD

LA OPERACIÓN CONTINUA Y PROLONGADA DE UN AMPLIFICADOR, ALTAVOZ O SUBWOOFER EN UNA FORMA DISTORSIONADA, CORTADA O CON DEMASIADA POTENCIA PUEDE RECALENTAR SU SISTEMA DE AUDIO Y LLEGAR A INCENDIARLO, ESTO PODRÍA CAUSAR DAÑOS SERIOS A SUS COMPONENTES Y/O VEHÍCULO. LOS AMPLIFICADORES REQUIEREN DE UN MÁXIMO DE 4 PULGADAS (10 CM) DE VENTILACIÓN ABIERTA. LOS SUBWOOFERS DEBEN INSTALARSE CON AL MENOS 1 PULGADA (2.5 CM) DE ESPACIO ENTRE LA PARTE FRONTAL DEL ALTAVOZ Y CUALQUIER SUPERFICIE. ¡LOS PRODUCTOS KICKER TIENEN LA CAPACIDAD DE PRODUCIR NIVELES DE SONIDO QUE PUEDEN DAÑAR DE FORMA PERMANENTE SU AUDICIÓN! AUMENTAR EL VOLUMEN DE UN SISTEMA HASTA UN NIVEL QUE GENERE DISTORSIÓN AUDIBLE ES MÁS DAÑINO PARA SUS OÍDOS QUE ESCUCHAR UN SISTEMA SIN DISTORSIONES AL MISMO NIVEL DE VOLUMEN. EL UMBRAL DEL DOLOR ES SIEMPRE UN INDICADOR DE QUE EL NIVEL DE SONIDO ES DEMASIADO ELEVADO Y PUEDE DAÑAR PERMANENTEMENTE SU AUDICIÓN. UTILICE EL SENTIDO COMÚN CUANDO CONTROLE EL VOLUMEN.

Los altavoces KMLX KICKER son los altavoces de gama completa más avanzados para ambientes marinos y exteriores que el dinero puede comprar. Si se actualiza un sistema de audio existente o se instala uno nuevo, estos altavoces coaxiales con un tweeter instalado en la bocina pueden montarse en ubicaciones al aire libre o en la línea galardonada de carcasas para torres marinas de KICKER. El KMXL ofrece sonido de máxima calidad y, al mismo tiempo, elimina los problemas que se generan al estar en aguas abiertas o expuesto a la intemperie. Como siempre, KICKER utiliza materiales y técnicas de construcción avanzadas para garantizar un desempeño óptimo por muchos años. Esperamos que tenga la oportunidad de combinar estos nuevos altavoces coaxiales con nuestra línea completa de productos para uso en altamar, como subwoofers y amplificadores, ¡para tener la mejor experiencia de audio que el dinero pueda comprar!

Especificaciones

Altavoces coaxiales KMXL	KMXL65	KMXL8	KMXL69
Woofer [pulgadas, mm]	6-1/2, 165	8, 200	6 x 9, 160 x 230
Manejo de potencia máxima [Watts]	300	500	300
Potencia recomendada para el amplificador [Watts RMS]	15-150	15-250	15-150
Sensibilidad [1 W, 1 m]	92	93	92
Respuesta de frecuencia [Hz]	90–20k	60–20k	70–20k
Diámetro del orificio de montaje [pulgadas, mm]	5-7/16, 139	6-5/8, 168	5-13/16 X 8-9/16 148 X 218
Profundidad de montaje [pulgadas, mm]	3-3/16, 81	3-11/16, 93	3-3/8, 85
Especificaciones aplicables a todos los modelos			
Tweeter [pulgadas, mm]	1.25, 32		
Impedancia nominal [Ω]	4		
Crossover de paso alto recomendado para un manejo de potencia máximo	80 Hz 12/octava		
Material del imán del Tweeter	Neodimio		
Material del domo del Tweeter	Aluminio		
Diseño del Tweeter	Controlador de compresión y bocina		
Material del cono del Woofer	Polipropileno y fibra de carbono		
Material envolvente del Woofer	Paño tratado		
Rejillas	Sí		

Las rejillas de KMXL65 y KMXL8 pueden rotar alrededor del altavoz en incrementos de 45 grados para lograr la orientación deseada del logo de KICKER. El logo de KICKER va en una placa de forma tal que también pueda rotar en incrementos de 180 grados.

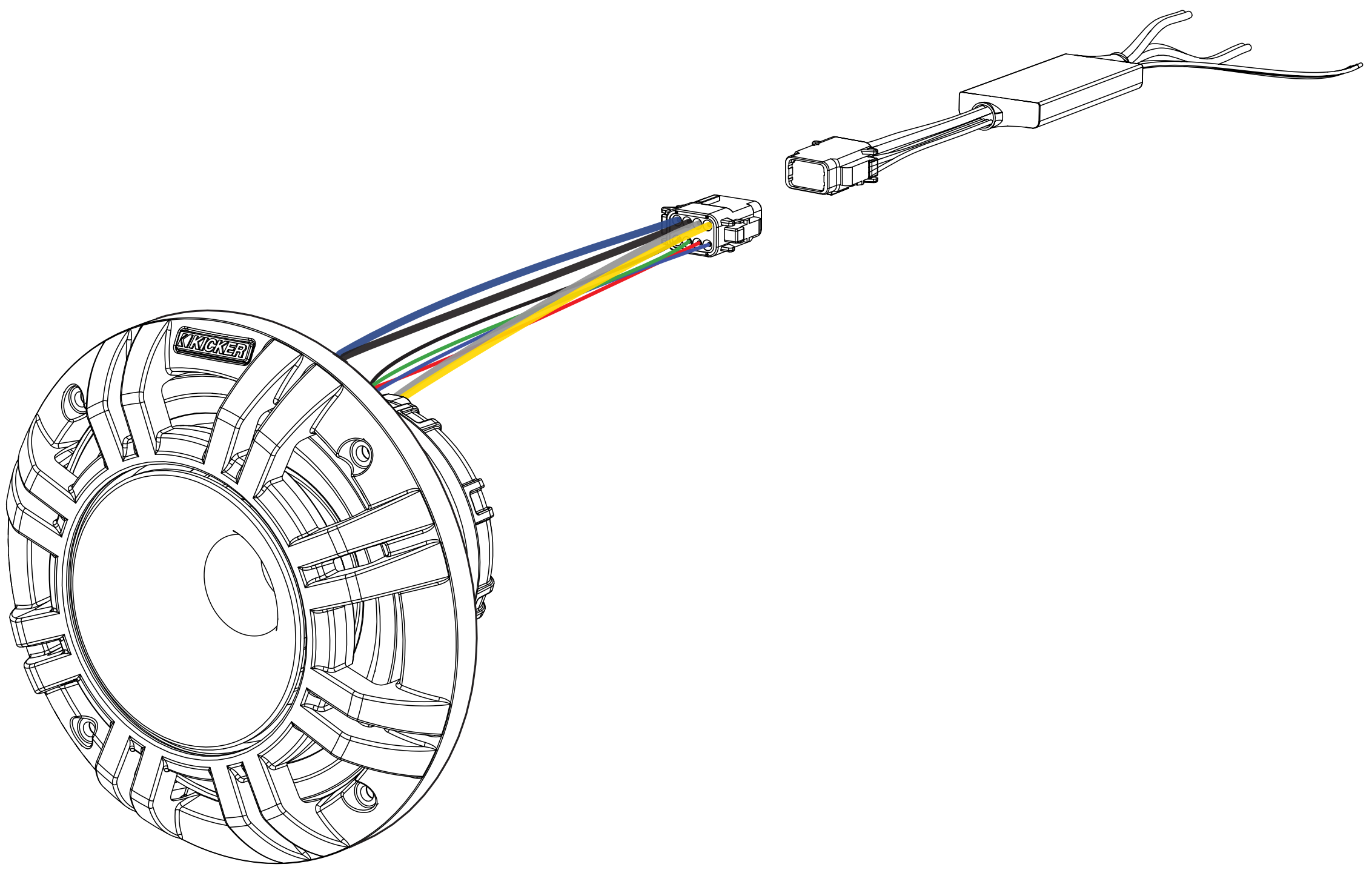
Nota: Todas las especificaciones y cifras de desempeño están sujetas a cambio. Visite **www.kicker.com** para encontrar la información más reciente. Para obtener el mejor desempeño de sus nuevos altavoces KICKER, le recomendamos usar accesorios y cables KICKER. Espere dos semanas para que los altavoces se adapten y alcancen su desempeño óptimo.

Instalación

Configuración del cableado

Recomendamos usar cable calibre 16 (o mayor). Los altavoces KMXL tienen una clasificación de 4 ohmios y funcionan con cualquier unidad fuente o amplificador diseñado para operar a una carga de 4 ohmios. **Asegúrese de que su unidad fuente o amplificador esté clasificado para operación a 4 ohmios.** Pase con cuidado el cable del altavoz en un lugar en el que no haya agua estancada o componentes móviles del bote. Se necesitan al menos dos canales del amplificador para la operación estéreo

1. Conecte el conector del altavoz KMXL al crossover del KMXL.



2. Conecte los cables del altavoz de crossover del KMXL a las terminales de salida de su amplificador.

- CABLE AZUL TRANSPARENTE - POSITIVO (+)
- CABLE NEGRO TRANSPARENTE - NEGATIVO (-)

Consejo de profesionales: ¡Está a solo un amplificador KICKER KXM y unos cuantos cables de distancia de tener una actualización completa de sistema que se impondrá a cualquier equipo de fábrica! La línea de amplificadores KICKER facilita la actualización para obtener bajos sólidos con su unidad fuente existente u original. De igual forma, pregunte a su vendedor sobre las mejoras en Subwoofer KICKER.

Configuración del cableado LED

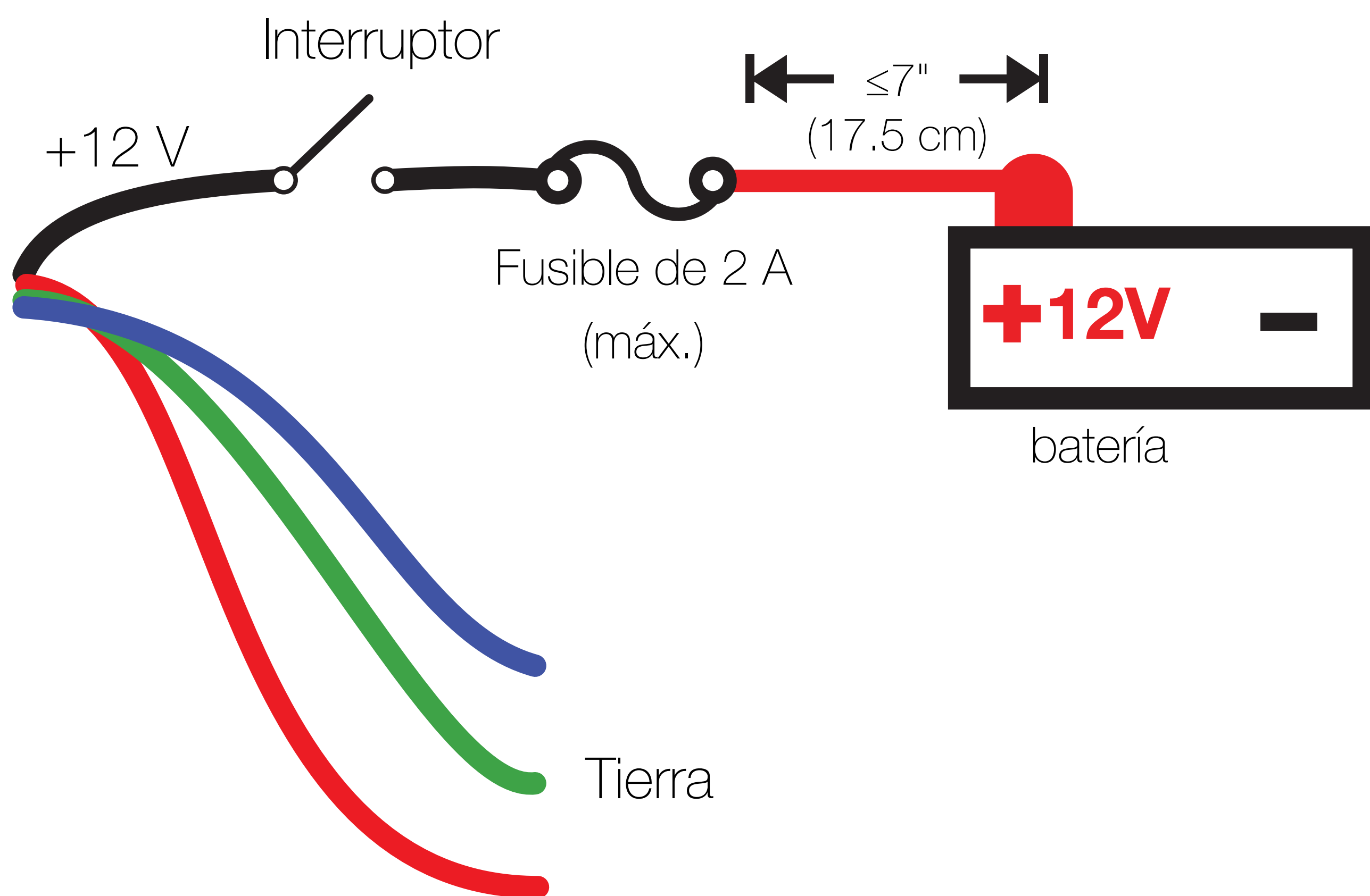
Cuando esté realizando la conexión de los LED, el cable negro es +12 V y los cables azul, rojo y verde son tierra.

1. Conecte el cable LED negro a la terminal positiva de la batería.

a. Coloque un fusible de 2 amperios (no incluido) a no más de 7" de distancia de la terminal de la batería.

b. Instale un interruptor (no incluido) en el cable LED negro entre el fusible y el altavoz, de forma tal que pueda apagar los LED. Si no instala un interruptor para apagarlos, siempre estarán encendidos.

2. Conecte los cables LED rojo, azul o verde a la terminal negativa de la batería. Consulte la tabla a continuación para ver las combinaciones disponibles.



Combinaciones de color: empalme y combine los cables de tierra para lograr un color diferente.

Cables conectados a la terminal negativa

Rojo
Verde
Azul
Rojo/verde
Rojo/azul
Azul/verde
Rojo/verde/azul

Color del LED

Rojo
Verde
Azul
Verde limón
Magenta
Aguamarina
Azul-Blanco

Montaje

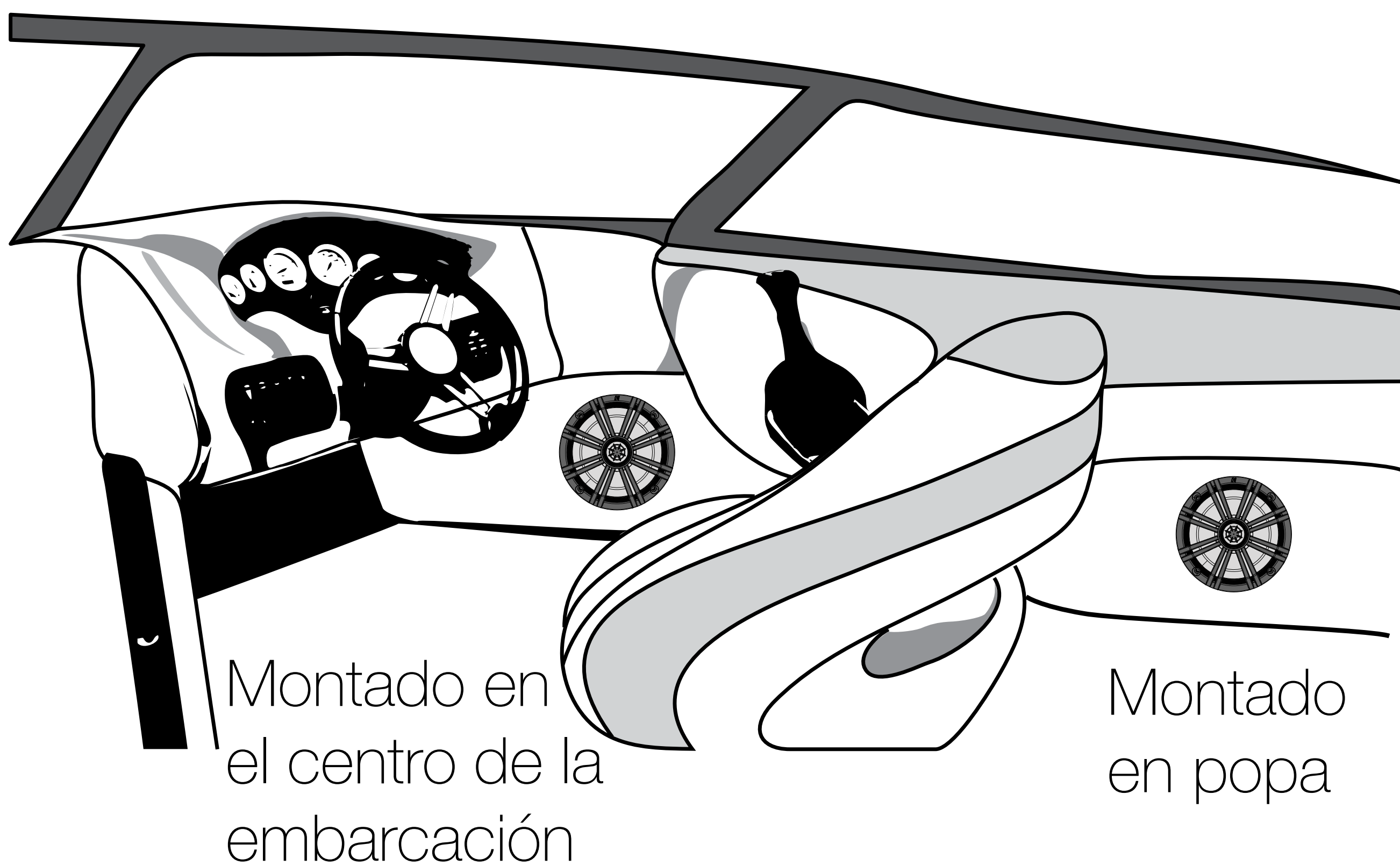
El sonido producido por los coaxiales KMXL es direccional. Encuentre la mejor ubicación para el sonido estereofónico. De ser necesario, agregue más altavoces coaxiales KMLX al sistema para ayudar a distribuir y equilibrar el audio envolvente.

Una vez que haya determinado la mejor ubicación para el montaje, revise cuidadosamente dónde colocará los accesorios de montaje. Si la ubicación para el montaje ya no existe, haga un agujero en la ubicación deseada con las plantillas de la [página del producto KMXL](#) en KICKER.com. De ser necesario, perforo previamente los agujeros para los tornillos de montaje con una broca de 7/64" (2.5 mm) siguiendo la plantilla. Solo para KMXL65 y KMXL8: con respecto a los agujeros para los tornillos, tenga en cuenta que se utilizarán para asegurar la parrilla en la orientación deseada. Instale cuatro tornillos en los otros agujeros que no se utilizarán para la rejilla a fin de asegurar el altavoz a la superficie.

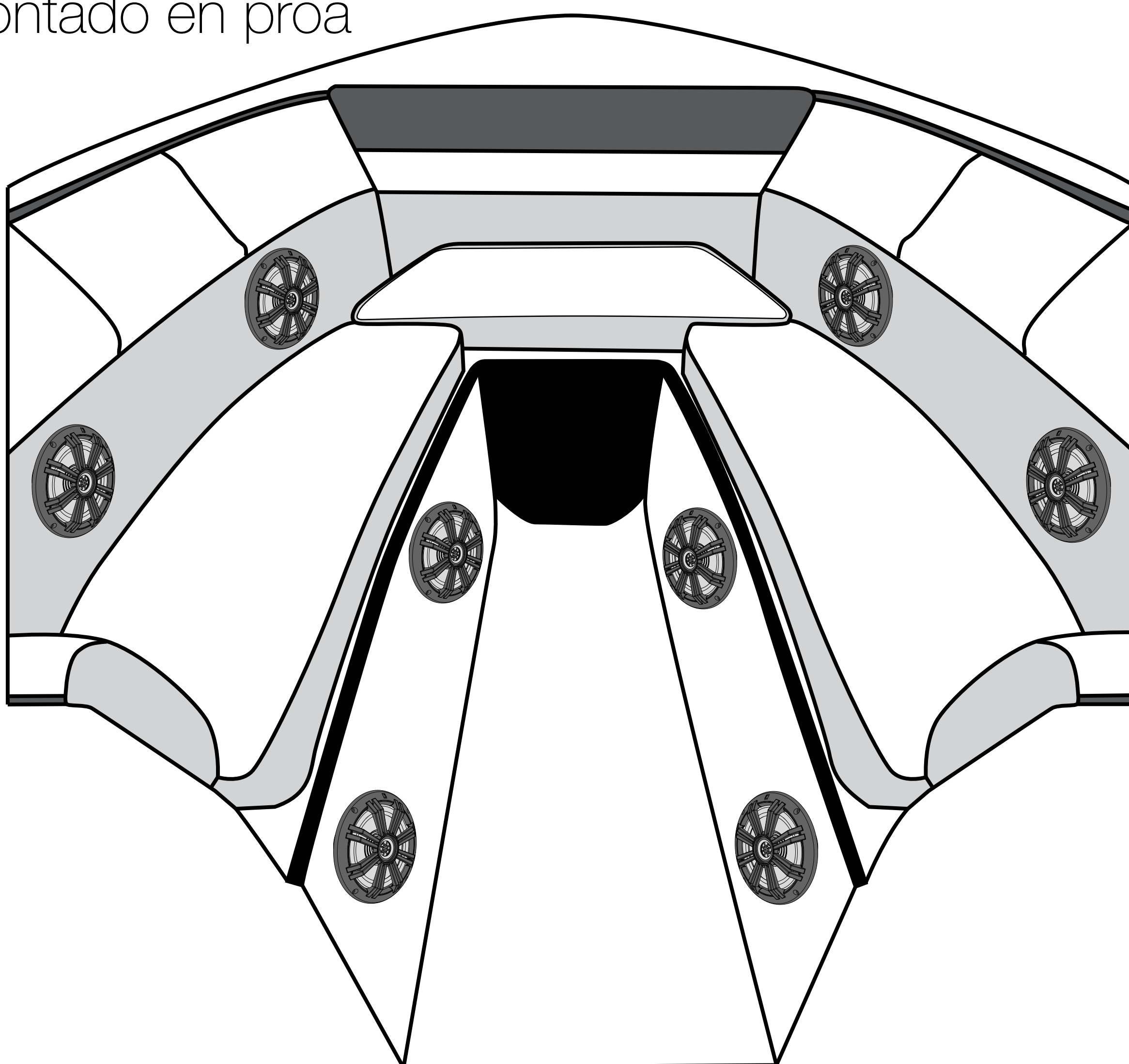
Use cinta de enmascarar para evitar que se dañe la pintura de las ubicaciones que cortará o perforará. Si va a montar el altavoz en una superficie de un material blando y delgado, como es el caso del aluminio, coloque las tuercas rápidas de acero inoxidable incluidas para proporcionar roscas para los tornillos de montaje de acero inoxidable. Si las ubicaciones de las aberturas del altavoz requieren que corte metal, evite las estructuras metálicas y los soportes. Si el panel no puede soportar el peso del altavoz, se puede fijar o adherir a este un aro de refuerzo opcional.

Asegúrese de que los tornillos de montaje y las tuercas rápidas no perforen la celda de combustible, el cableado, o que interfieran con las piezas metálicas que se ubican en la parte inferior de la superficie de montaje. Si los accesorios provistos no son útiles para su instalación, deben emplearse otros medios para fijar de manera segura los altavoces al bote, como las [Torres KMTC](#).

Fije el altavoz en la ubicación deseada. Posibles ubicaciones para montar el altavoz coaxial KMXL



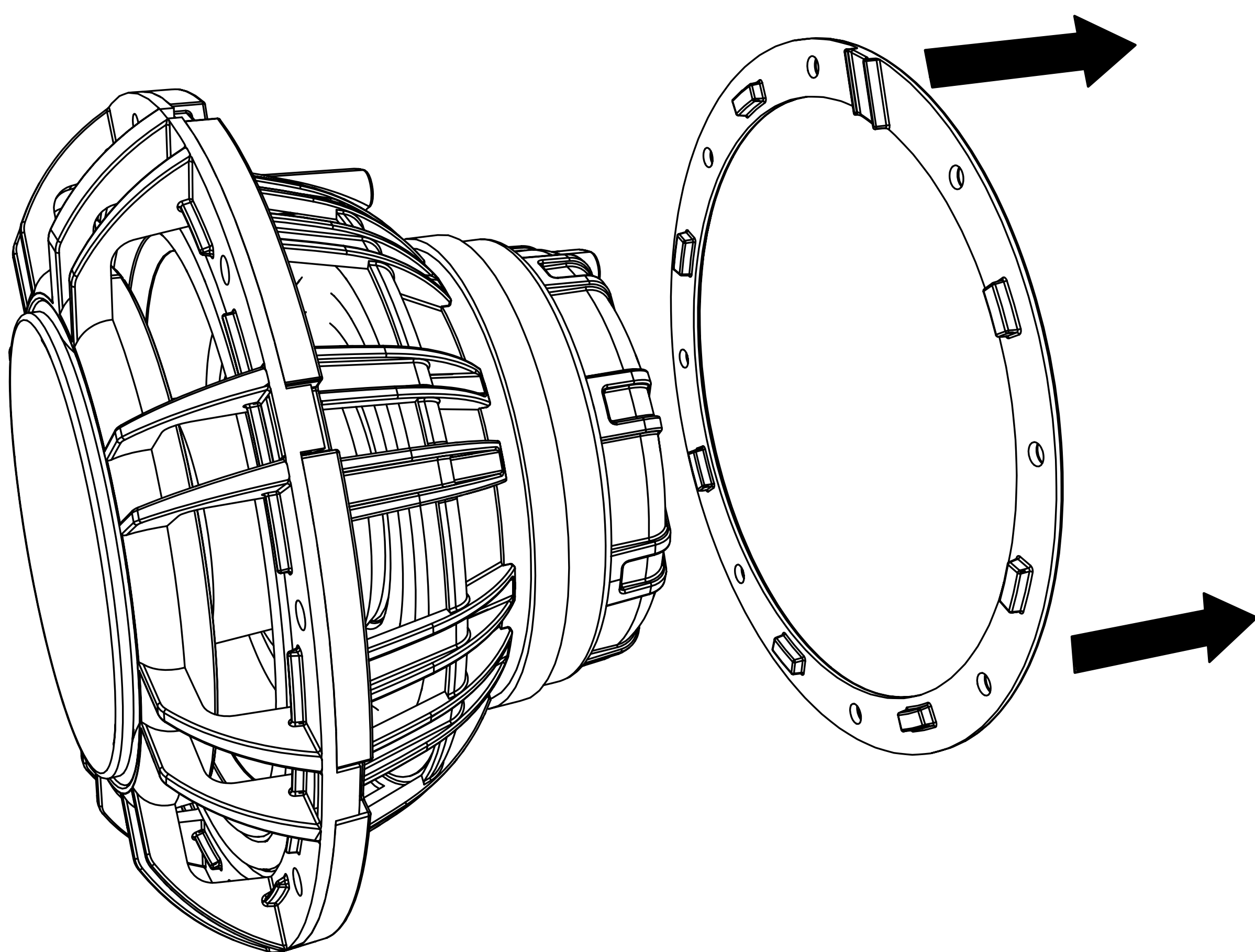
Montado en proa



Montaje: KMXL65 en motocicletas Harley Davidson® FLHT versiones 2014 en adelante

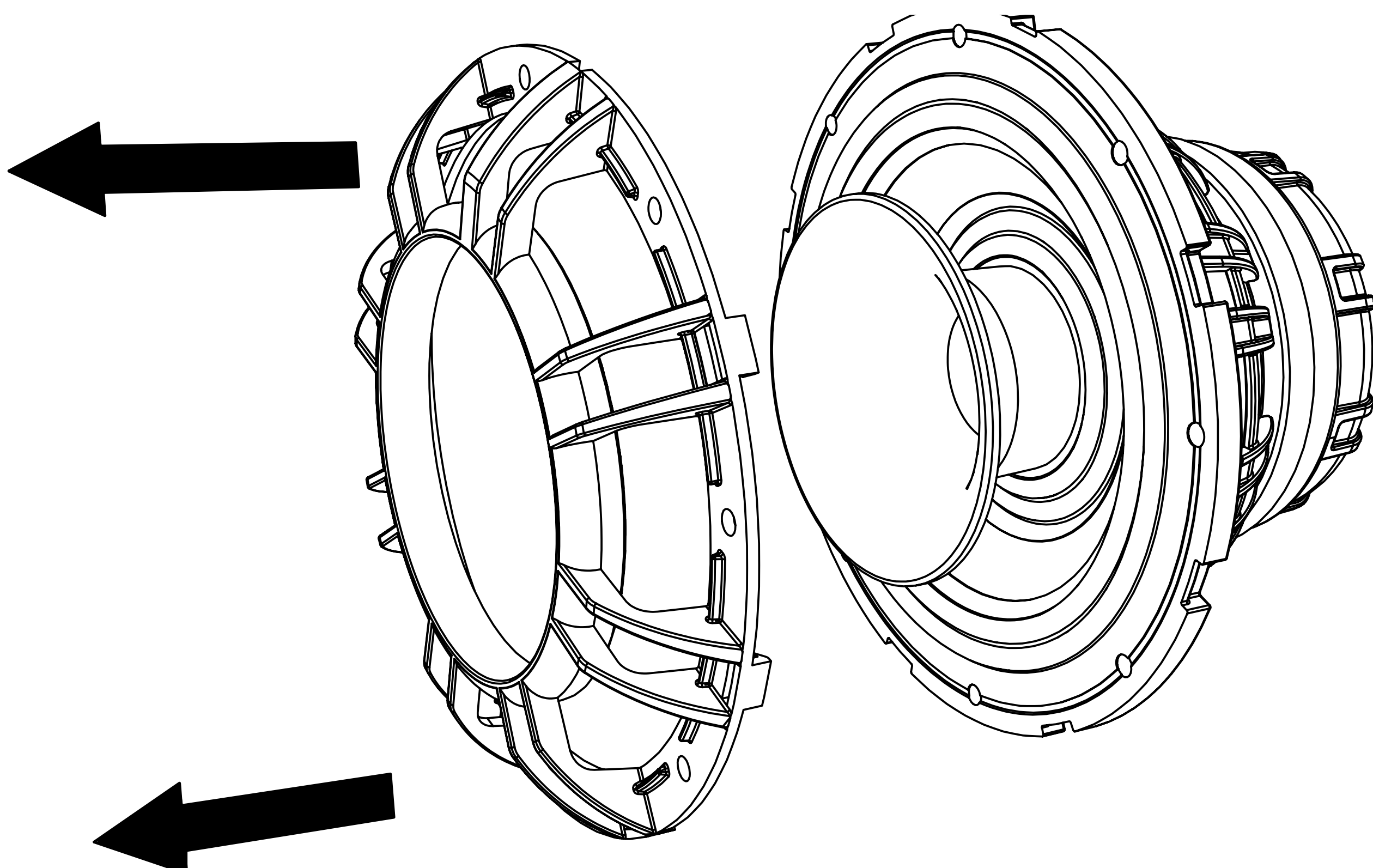
Antes de comenzar: debe reemplazar las parrillas para altavoces de fábrica por las [parrillas 45HDSG de KICKER](#). El KMXL65 encajará en los carenados FLHT, pero será necesario retirar el puente y junta del LED. Las luces LED del KMXL65 no funcionarán en los carenados FLHT.

1. Retire y deseche la junta de silicona de la brida del KMXL65.

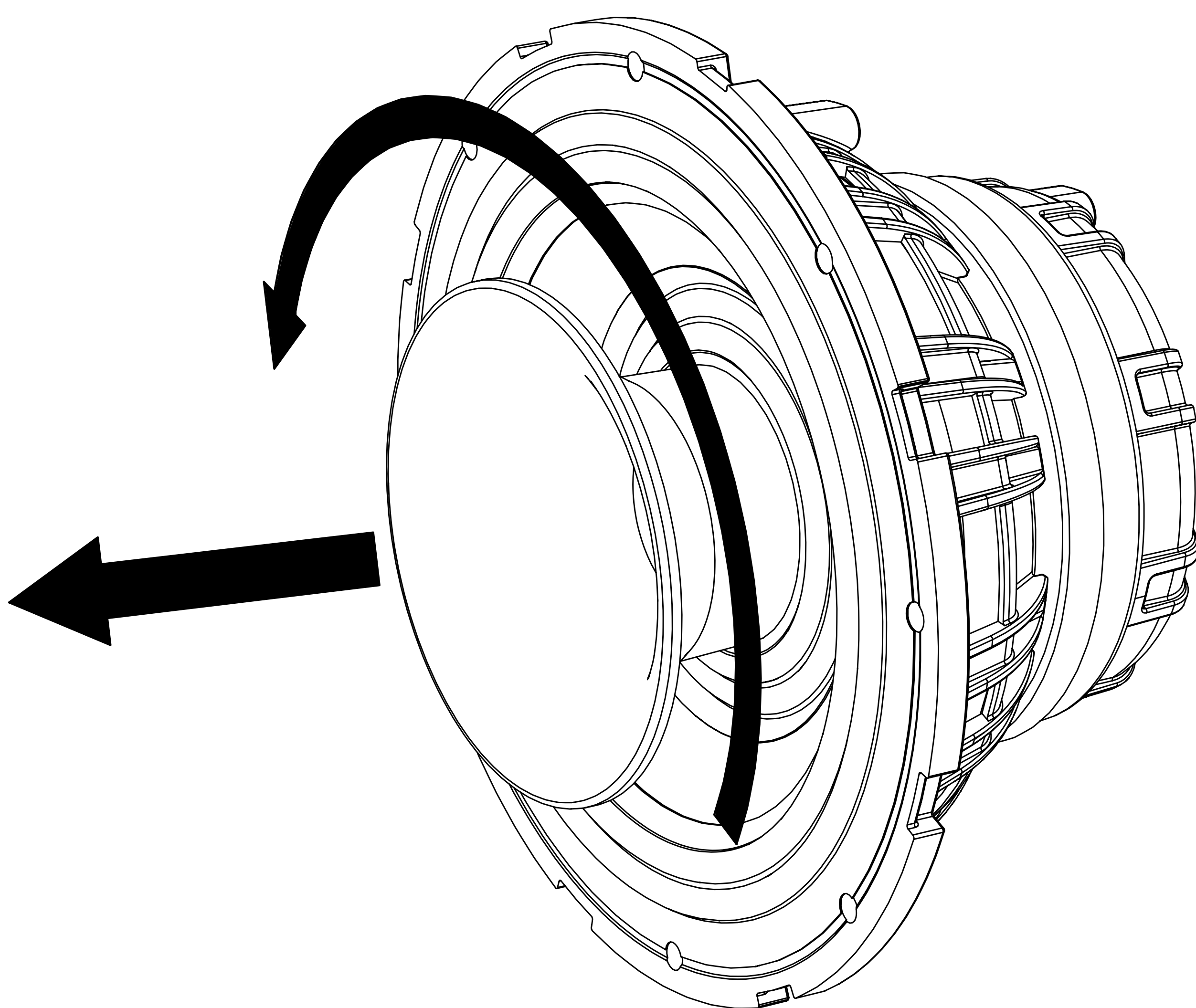


2. Retire el conector del altavoz KMXL desprendiendo los cables del altavoz y los cables LED del conector. Tenga en cuenta dónde se ubica el color de cada cable.

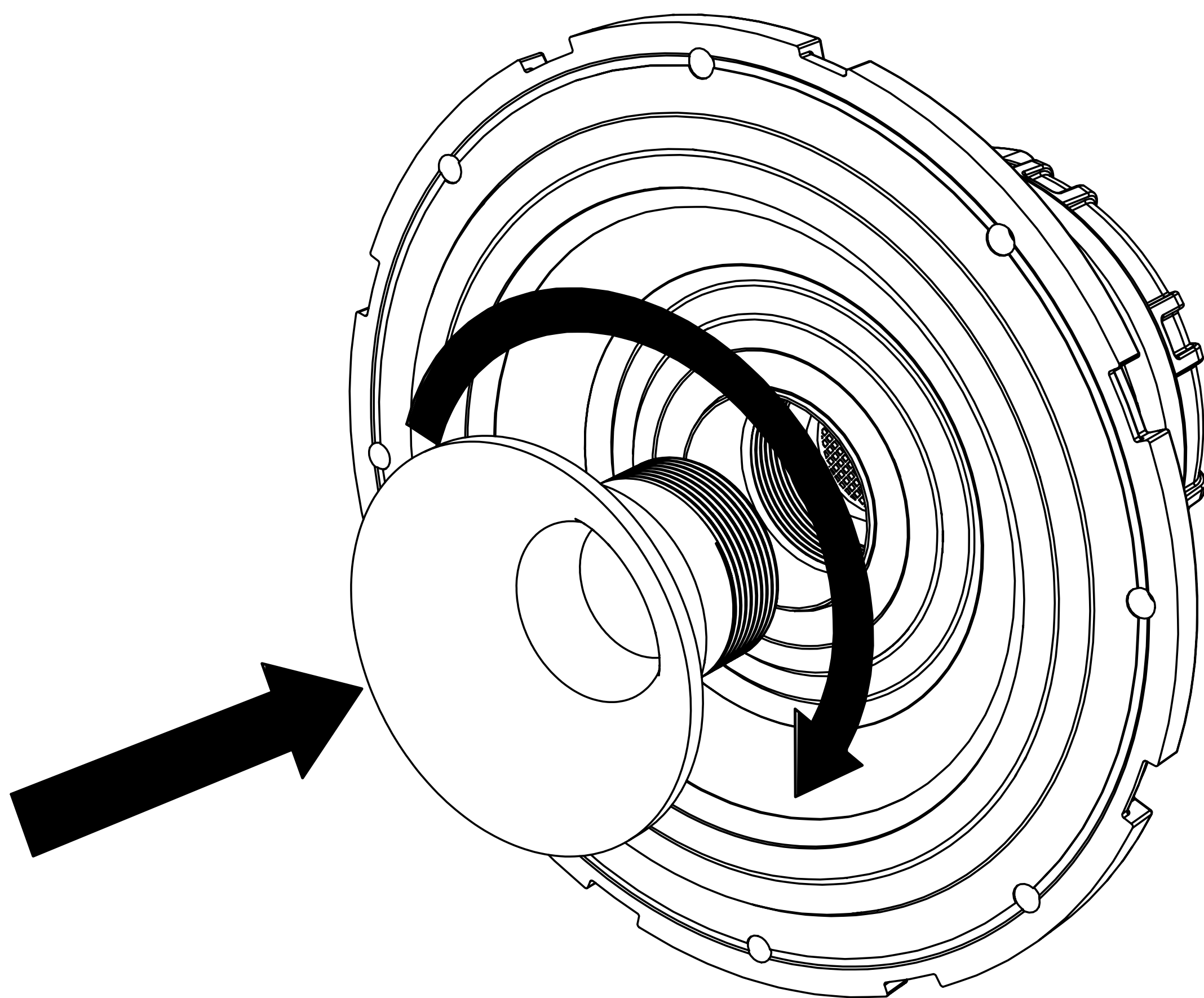
3. Retire y deseche el puente LED.



4. Desenrosque, retire y deseche la bocina instalada.



5. Instale la bocina corta suministrada en el altavoz.

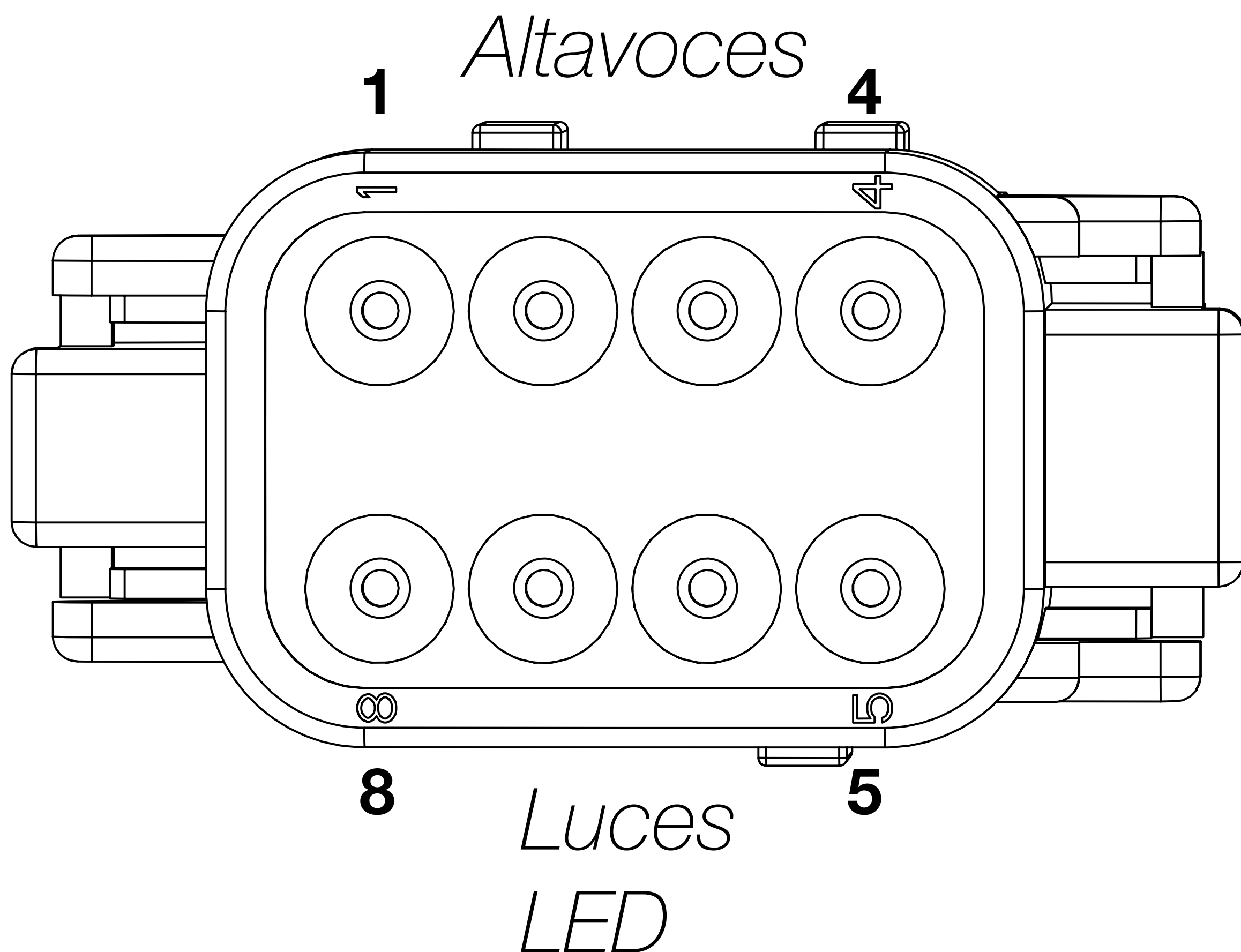


6. Retire las parrillas de fábrica del carenado interior.

7. Instale las parrillas 45HDSG de KICKER en el carenado interior.

8. Enrute los cables a través de la carcasa e instale los altavoces en las carcacas del carenado.

9. Inserte los cables del altavoz en los huecos correctos de la carcasa del conector.



- 1 - Azul transparente 16 AWG**
- 2 - Negro transparente 16 AWG**
- 3 - Plateado aislante transparente 16 AWG**
- 4 - Dorado aislante transparente 16 AWG**
- 5 - Azul 22 AWG**
- 6 - Rojo 22 AWG**
- 7 - Verde 22 AWG**
- 8 - Negro 22 AWG**

Montaje: KMXL69 en las tapas de alforja 46HDBL69

El KMXL69 se atornilla directamente en las tapas de alforja [KICKER 46HDBL69](#). En esta aplicación, descarte las parrillas para montaje.

1. Instale los altavoces KMXL69 en las tapas de alforja Kicker 46HDBL69 de acuerdo con las [instrucciones de instalación de 46HDBL69](#).
2. Alargue los cables de los altavoces teniendo en cuenta la ubicación de montaje del crossover.

Contenu

Présentation	27
Spécifications	28
Installation	29
Configuration du câblage	29
Configuration du câblage LED ...	30
Montage	31
Montage : KMXL65 dans la nouvelle Harley Davidson® FLHT 2014	33
Montage : KMXL69 dans les couvercles des sacoches cavalières 46HDBL69	36
Garantía Garantie	48

Présentation

AVERTISSEMENT DE SÉCURITÉ IMPORTANT

UNE UTILISATION CONTINUE ET PROLONGÉE D'UN AMPLIFICATEUR, D'UN HAUT-PARLEUR OU D'UN CAISSON DE GRAVES AVEC UN SON DISTORDU, ÉCRÊTÉ OU EXCESSIF PEUT FAIRE SURCHAUFFER VOTRE SYSTÈME AUDIO, QUI RISQUE DE PRENDRE FEU ET DE CAUSER DE SÉRIEUX DÉGÂTS À VOS COMPOSANTS ET/OU VOTRE VÉHICULE. LES AMPLIFICATEURS REQUIÈRENT UN ÉVENT D'AÉRATION JUSQU'À 10 CM (4 POUCES). LES CAISSONS DE GRAVES DOIVENT ÊTRE MONTÉS AVEC AU MOINS 2,5 CM (1 POUCE) D'ÉCART ENTRE L'AVANT DU HAUT-PARLEUR ET TOUTE SURFACE. LES PRODUITS KICKER SONT CAPABLES DE PRODUIRE DES NIVEAUX SONORES POUVANT ENDOMMAGER VOTRE AUDITION DE MANIÈRE IRRÉVERSIBLE ! LE RÉGLAGE D'UN SYSTÈME À UN NIVEAU PRODUISANT UNE DISTORSION AUDIBLE ENDOMMAGE DAVANTAGE L'AUDITION QUE L'ÉCOUTE D'UN SYSTÈME SANS DISTORSION AU MÊME VOLUME. LE SEUIL DE LA DOULEUR INDIQUE TOUJOURS QUE LE NIVEAU SONORE EST TROP ÉLEVÉ ET POURRAIT ENDOMMAGER VOTRE AUDITION DE MANIÈRE IRRÉVERSIBLE. VEUILLEZ RÉGLER LE VOLUME SONORE EN FAISANT PREUVE DE BON SENS.

Les haut-parleurs KICKER KMXL sont les meilleurs haut-parleurs à spectre intégral pour les environnements marins et extérieurs qu'on puisse acheter. Que vous souhaitiez améliorer un système audio existant ou en installer un nouveau, ces haut-parleurs sont conçus pour être installés dans des espaces à l'air libre ou sur la gamme primée de tours de son marines de KICKER. Les haut-parleurs KMXL produisent un son de qualité supérieure tout en supportant les contraintes liées à la navigation ou à l'exposition aux éléments. Comme toujours, KICKER fait appel à des matériaux et des techniques de construction de pointe pour garantir des performances optimales pendant de nombreuses années. Nous espérons que vous aurez l'occasion d'associer ces nouveaux haut-parleurs coaxiaux à notre gamme complète de produits nautiques, y compris les caissons de basses et les amplificateurs, pour vivre la meilleure expérience audio qui soit !

Spécifications

Haut-parleurs coaxiaux KMXL	KMXL65	KMXL8	KMXL69
Haut-parleur de graves [mm ; pouces]	165 ; 6-1/2	200 ; 8	160 x 230 ; 6 x 9
Puissance en crête [W]	300	500	300
Puissance d'amplificateur recommandée [W RMS]	15-150	15-250	15-150
Sensibilité [1 W, 1 m]	92	93	92
Réponse en fréquence [Hz]	90–20k	60–20k	70–20k
Diamètre du trou de montage [mm ; pouces]	139 ; 5-7/16	168 ; 6-5/8	148 X 218 5-13/16 X 8-9/16
Profondeur de montage [mm ; po]	81 ; 3-3/16	93 ; 3-11/16	85 ; 3-3/8
Spécifications communes à tous les modèles			
Haut-parleur d'aigus [mm ; po]	32 ; 1,25		
Impédance nominale [Ω]	4		
Filtre passe-haut recommandé pour une puissance admissible maximum	80 Hz 12/octave		
Matériau de bobine du haut-parleur d'aigus	Néodyme		
Matériau du dôme du HP d'aigus	Aluminium		
Conception du haut-parleur d'aigus	Haut-parleur à compression et pavillon		
Matériau du cône du haut-parleur de graves	Polypropylène et fibre de carbone		
Matériau d'enveloppe du haut-parleur de graves	Tissu traité		
Grilles	Oui		

Les grilles des KMXL65 et KMXL8 peuvent être tournées autour du haut-parleur par paliers de 45 ° afin d'orienter le logo KICKER dans la direction souhaitée. Le logo KICKER est placé sur un badge afin de pouvoir être lui aussi tourné par paliers de 180 °.

Remarque : toutes les spécifications et valeurs de performance sont sujettes à modification.

Veillez vous rendre sur **www.kicker.com**

pour les informations les plus récentes. Pour tirer les meilleures performances de vos nouveaux haut-parleurs KICKER, nous vous recommandons d'utiliser des accessoires et du câblage KICKER authentiques. Veuillez laisser deux semaines de rodage aux haut-parleurs afin de leur permettre d'atteindre leurs performances optimales.

Installation

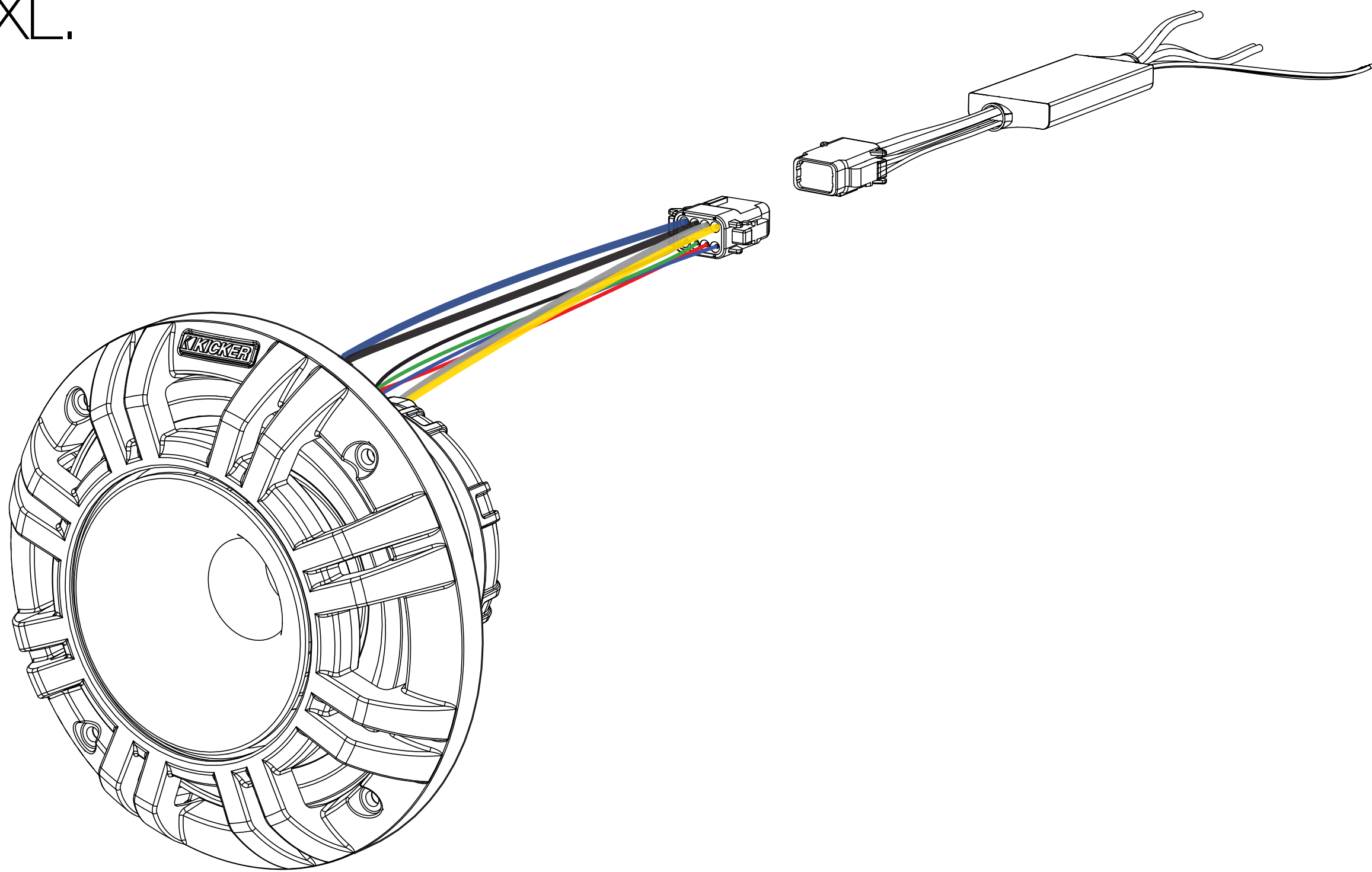
Configuration du câblage

Nous vous recommandons d'utiliser un câble de calibre 16 (ou plus). Les haut-parleurs KMXL ont une impédance nominale de 4 ohms et fonctionnent avec tous types de sources ou d'amplificateurs conçus pour fonctionner à une charge de 4 ohms.

Assurez-vous que l'impédance de votre source ou amplificateur soit compatible avec le fonctionnement sous 4 ohms.

Faites soigneusement courir le fil du haut-parleur dans un endroit éloigné de l'eau stagnante et des éléments mobiles du bateau. La reproduction en stéréo nécessite au moins deux voies de signal amplifié.

1. Connectez la fiche du haut-parleur KMXL au filtre KMXL.



2. Connectez les fils du filtre du haut-parleur KMXL aux bornes de sortie du haut-parleur de votre amplificateur.

- a. CÂBLE BLEU TRANSPARENT - POSITIF (+)
- b. CÂBLE NOIR TRANSPARENT - NÉGATIF (-)

Astuce de pro : il ne vous manque plus qu'un amplificateur KICKER KXM et quelques câbles pour bénéficier d'une mise à niveau totale de votre installation, qui surpassera tout système d'origine ! Avec la gamme d'amplificateurs KICKER, il devient facile de doter votre source d'origine ou existante de basses surpuissantes. Demandez également à votre distributeur de vous parler des améliorations que constituent les caissons de graves KICKER.

Configuration du câblage LED

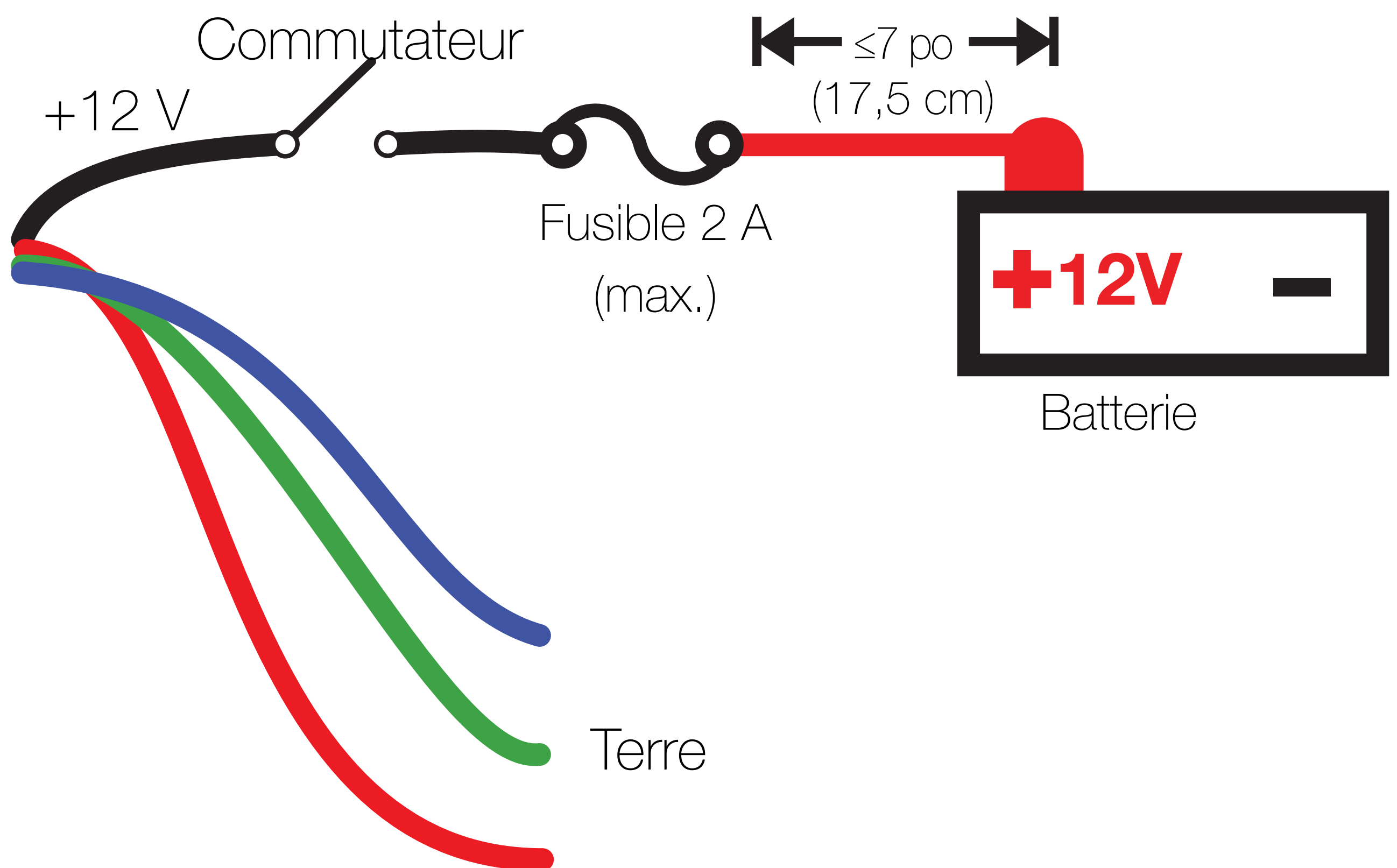
Lors du câblage des voyants LED, le fil noir correspond à la borne +12 V, tandis que les fils bleu, rouge et vert sont reliés à la masse.

1. Connectez le fil noir de la LED à la borne positive de la batterie.

a. Placez un fusible de 2 ampères (non inclus) à une distance maximale de 17,5 cm (7 po) de la borne de la batterie.

b. Installez un interrupteur (non inclus) sur le fil noir des LED entre le fusible et le haut-parleur, afin de pouvoir éteindre les LED. Sans interrupteur pour les éteindre, elles seront toujours allumées.

2. Connectez les fils rouge, bleu et/ou vert de la LED à la borne négative de la batterie. Consultez les combinaisons disponibles dans le tableau ci-dessous.



Combinaisons de couleurs : les fils de terre doivent être épissés et combinés pour obtenir une couleur différente.

Fils connectés à la borne négative

Rouge
Vert
Bleu
Rouge/Vert
Rouge/Bleu
Bleu/Vert
Rouge/Vert/Bleu

Couleur LED

Rouge
Vert
Bleu
Vert citron
Magenta
Aigue-marine
Bleu-Blanc

Montage

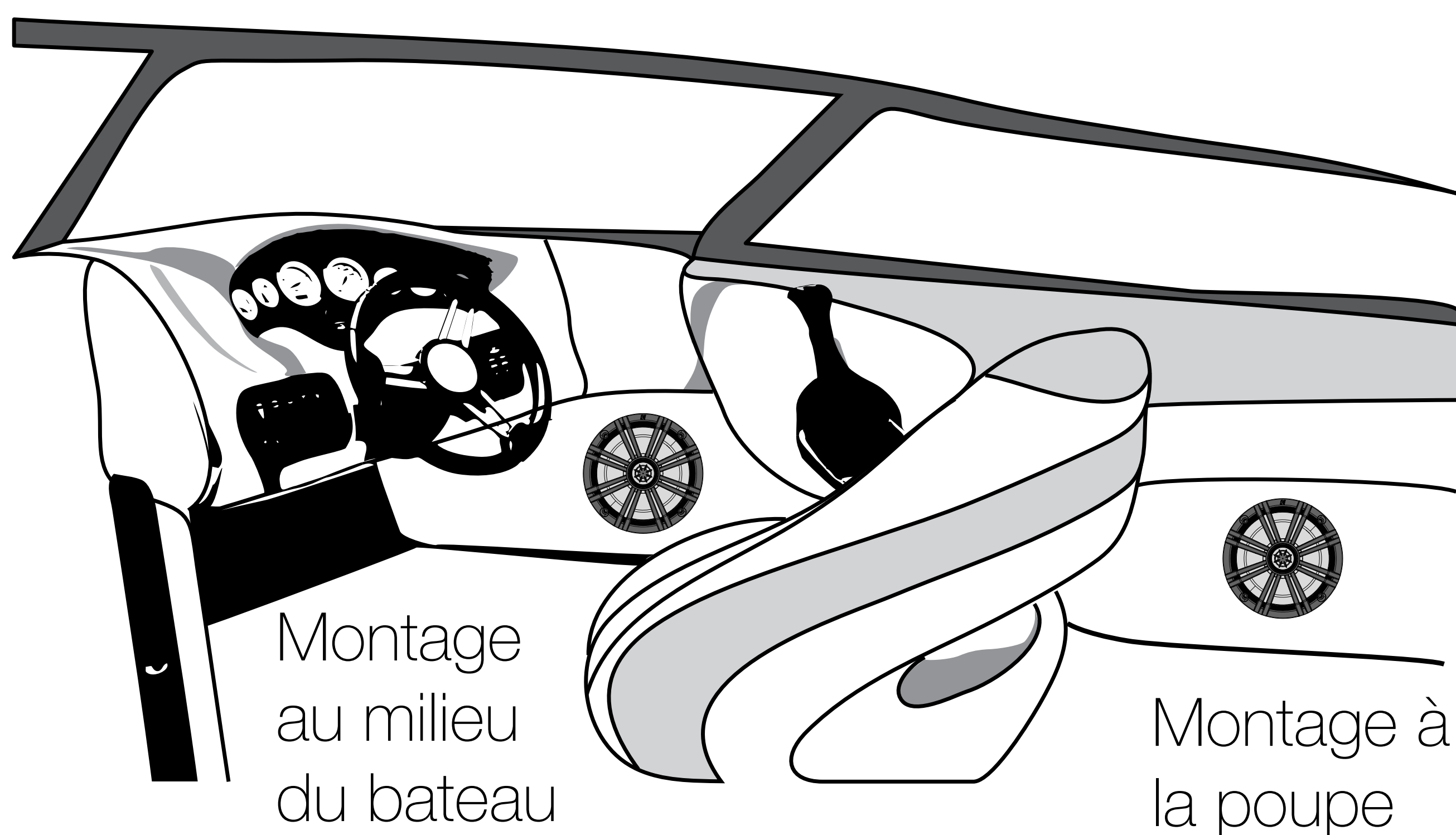
Le son produit par les coaxiaux KMXL est directionnel. Trouvez le meilleur emplacement pour le son stéréophonique. Si nécessaire, ajoutez d'autres haut-parleurs coaxiaux KMXL au système pour mieux répartir et équilibrer la scène sonore.

Après avoir déterminé les meilleurs emplacements de montage, vérifiez soigneusement les zones où le matériel de montage sera placé. Si l'emplacement de montage n'existe pas encore, percez un trou à l'endroit souhaité en utilisant les modèles figurant sur la [page du produit KMXL](#) sur KICKER.com. Si nécessaire, pré-percez les trous des vis de montage en utilisant un foret de 2,5 mm (7/64e de po) en suivant le modèle. Pour les KMXL65 et KMXL8 uniquement : notez les trous des vis qui seront utilisés pour fixer la grille selon l'orientation souhaitée. Installez quatre vis dans les autres trous qui ne seront pas utilisés sur la grille pour fixer le haut-parleur sur la surface.

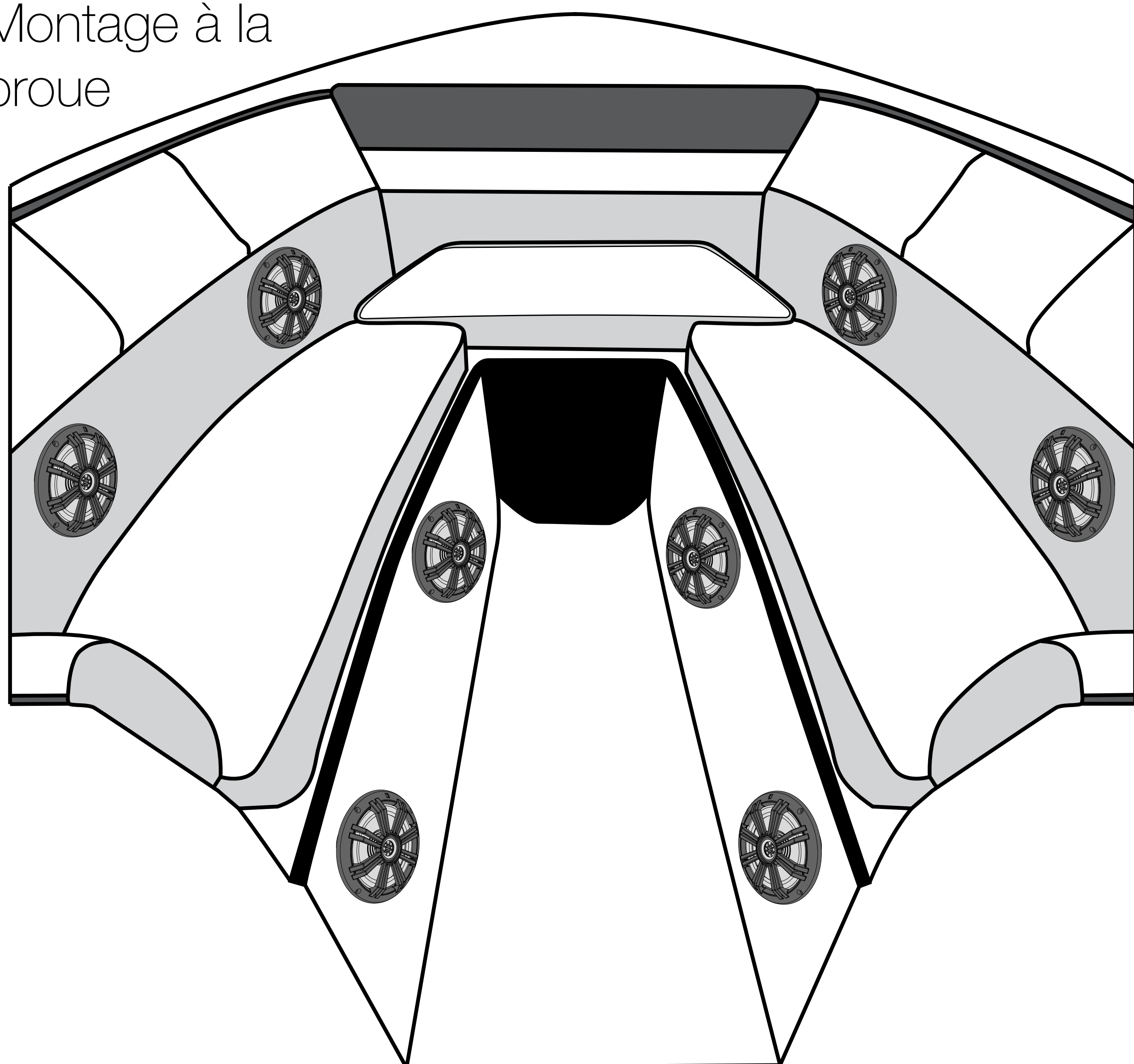
Utilisez du ruban de masquage pour éviter d'endommager la peinture aux endroits à découper ou à percer. Si vous montez le haut-parleur sur une surface en matériau mince et souple, comme l'aluminium, utilisez les écrous rapides en acier inoxydable inclus pour créer des filets pour les vis de montage en acier inoxydable. Si les emplacements de découpe des haut-parleurs vous obligent à couper du métal, évitez les structures et renforts métalliques. Si le panneau ne peut pas supporter le poids du haut-parleur, un anneau de renfort optionnel peut être fixé ou collé sur celui-ci.

Veillez à ce que les vis de montage et les écrous rapides ne perforent pas la pile à combustible, le câblage ou n'interfèrent pas avec les pièces mécaniques situées sous la surface de montage. Si le matériel fourni ne convient pas à votre installation, il convient d'utiliser un autre moyen de fixer solidement les haut-parleurs au bateau, tel que les [tours KMTC](#).

Fixez le haut-parleur à l'emplacement souhaité. Emplacements potentiels pour le montage des haut-parleurs coaxiaux KMXL



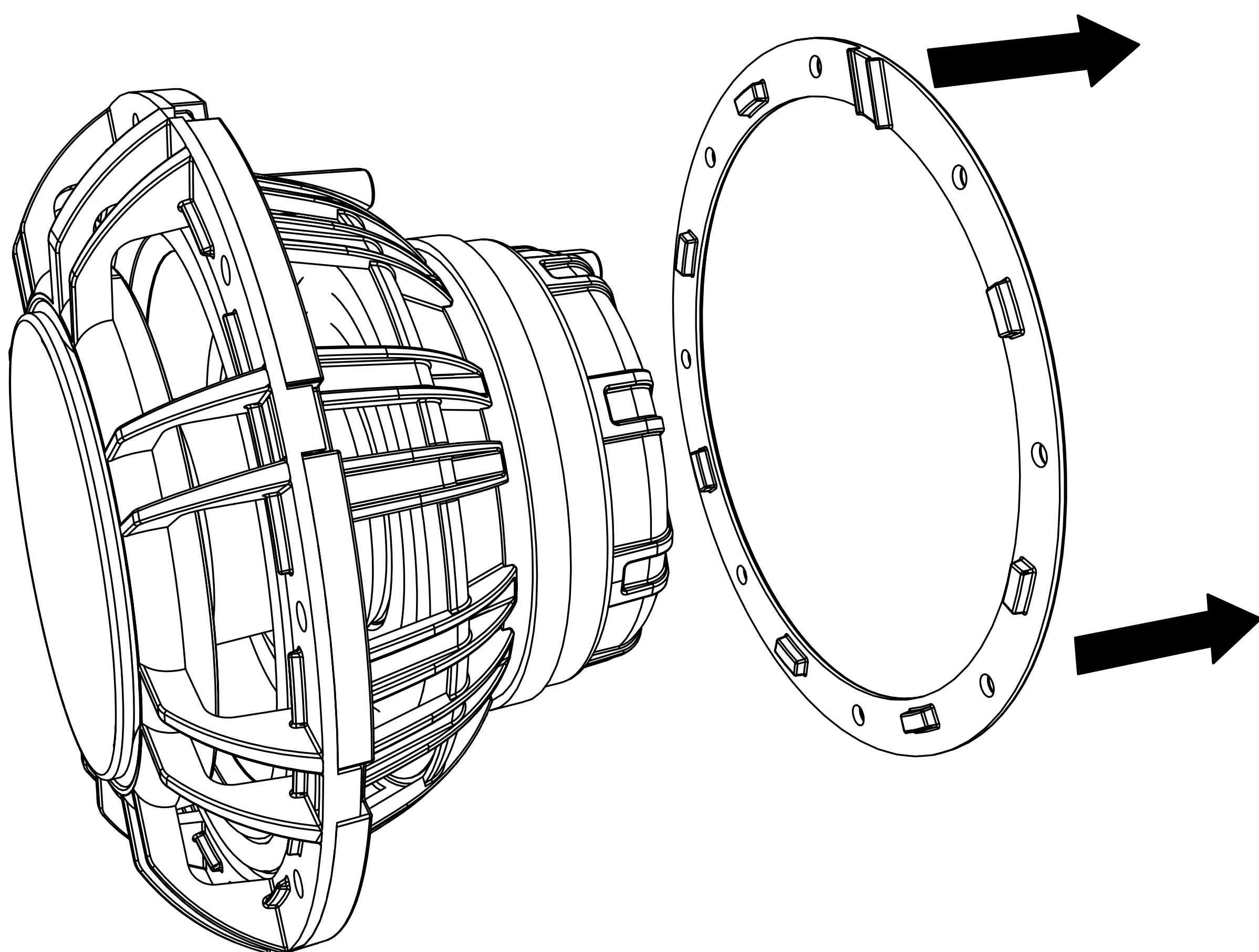
Montage à la proue



Montage : KMXL65 dans la nouvelle Harley Davidson® FLHT 2014

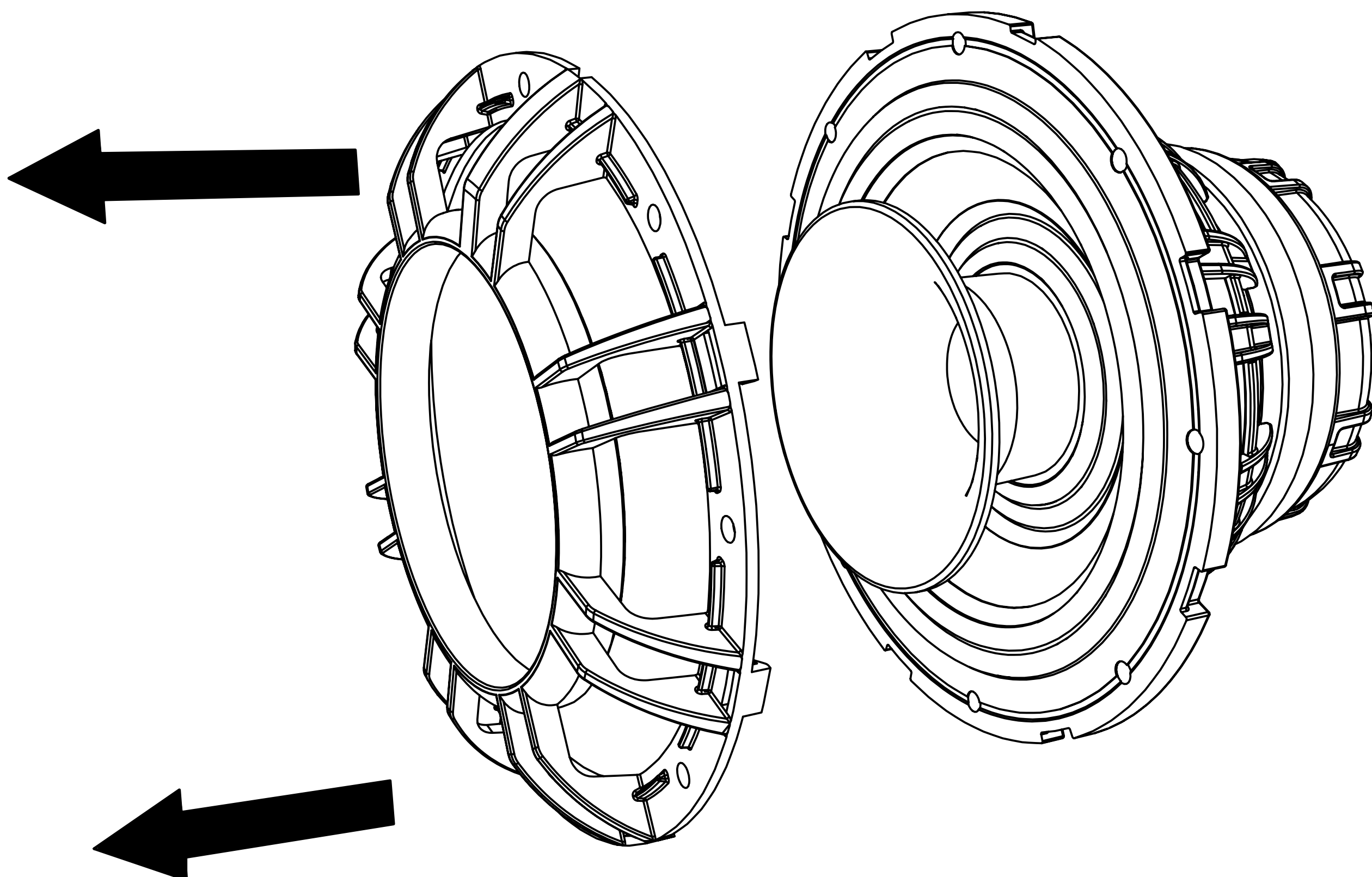
Avant de commencer : vous devez remplacer les grilles des haut-parleurs d'usine par les [grilles KICKER 45HDSG](#). Le KMXL65 s'adaptera aux carénages de la FLHT, mais cela nécessitera des modifications pour retirer le joint et le pont de LED. L'éclairage LED du KMXL65 ne fonctionnera pas sur les carénages de la FLHT.

1. Retirez et jetez le joint en silicone de la bride du KMXL65.

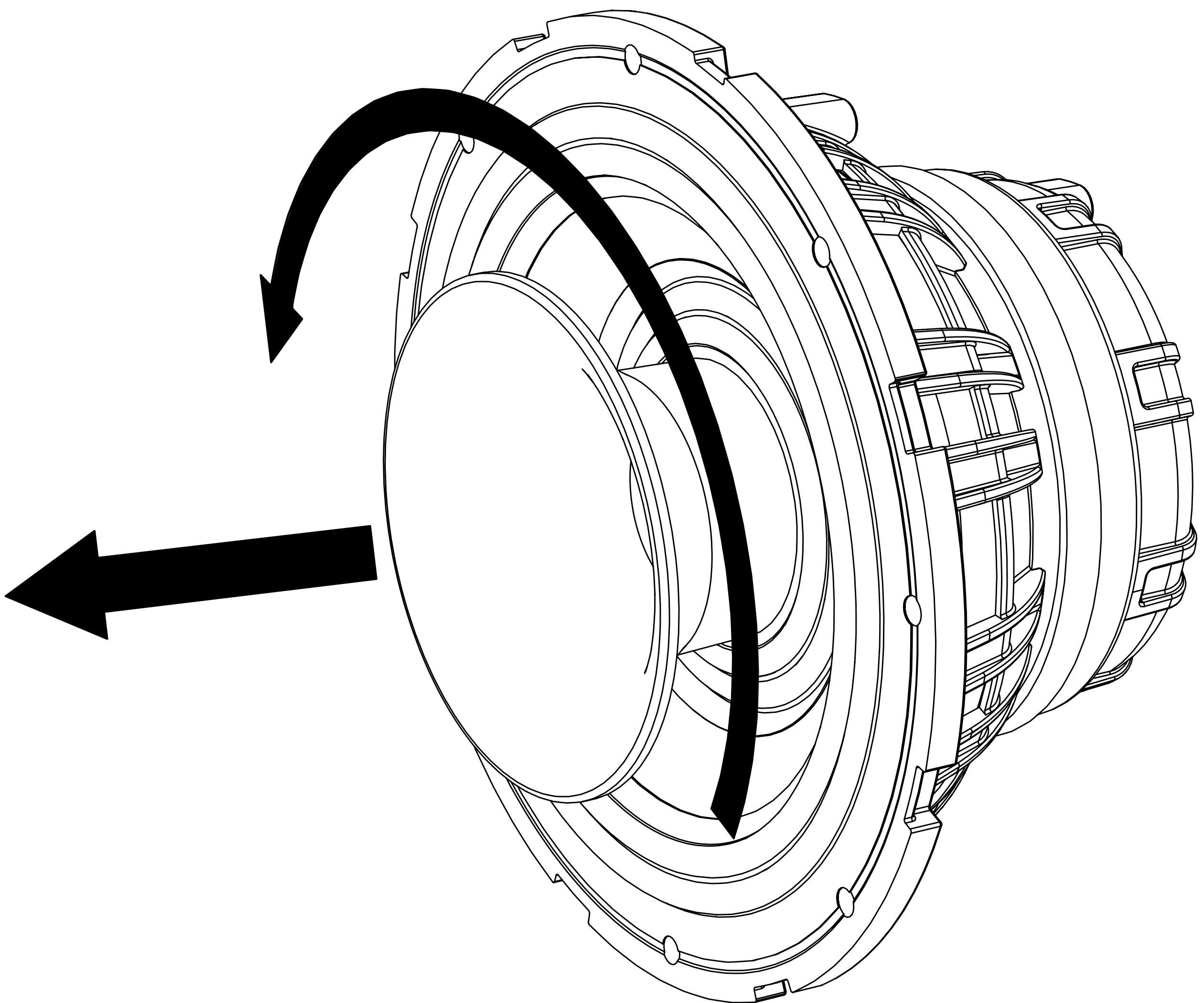


2. Retirez la fiche du haut-parleur KMXL en débrochant les fils du haut-parleur et les fils LED du connecteur. Notez l'emplacement de chaque couleur de fils dans la cavité.

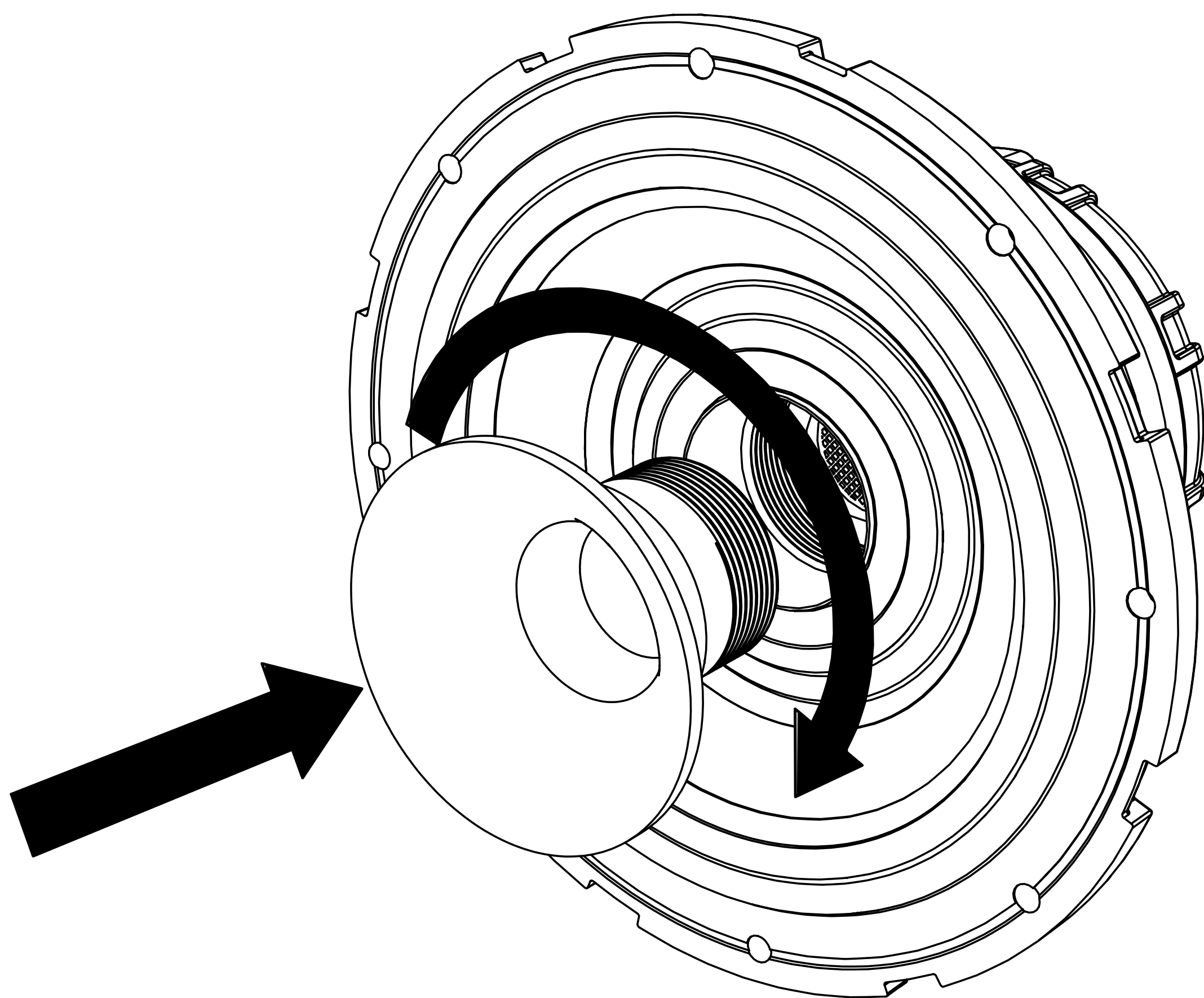
3. Retirez et jetez le pont de LED.



4. Desserrez, retirez et jetez le pavillon installé.



5. Installez le pavillon court dans le haut-parleur.

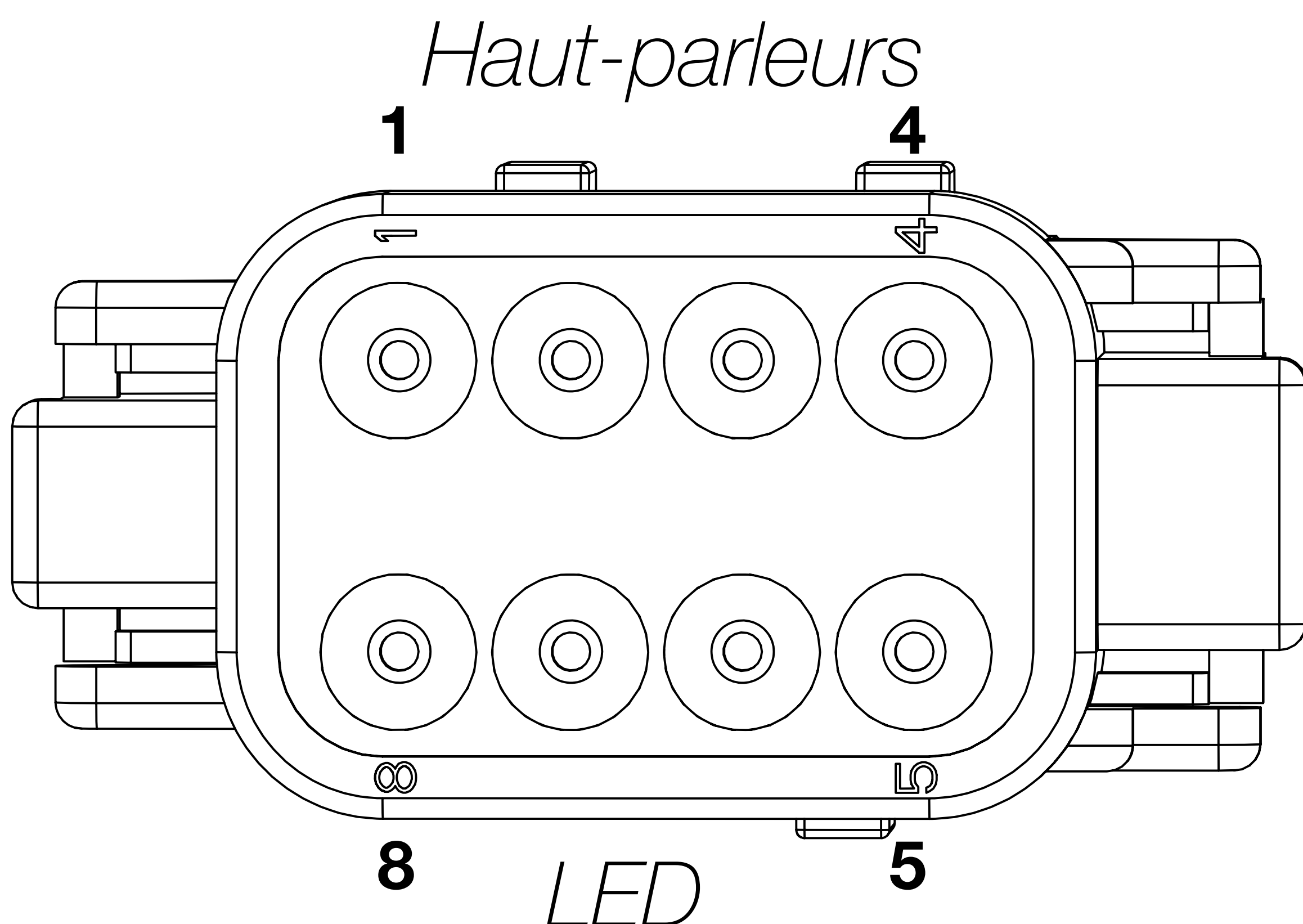


6. Retirez les grilles d'usine du carénage interne.

7. Installez les grilles KICKER 45HDSG dans le carénage interne.

8. Faites passer les fils dans l'enceinte et installez les haut-parleurs dans les enceintes du carénage.

9. Insérez les fils du haut-parleur dans les cavités adéquates du boîtier du connecteur.



- 1 - 16AWG Bleu transparent**
- 2 - 16AWG Noir transparent**
- 3 - 16AWG Argent isolation transparent**
- 4 - 16AWG Or isolation transparent**
- 5 - 22AWG Bleu**
- 6 - 22AWG Rouge**
- 7 - 22AWG Vert**
- 8 - 22AWG Noir**

Montage : KMXL69 dans les couvercles des sacoches cavalières 46HDBL69

Le KMXL69 se fixe directement dans les couvercles des sacoches cavalières du [KICKER 46HDBL69](#).
Jetez les grilles pour monter cette application.

1. Installez les haut-parleurs KMXL69 dans les couvercles des sacoches cavalières Kicker 46HDBL69 en suivant les [instructions d'installation du 46HDBL69](#).

2. Déployez les fils des haut-parleurs en fonction de l'emplacement de montage du filtre.

Inhalt

Übersicht	38
Spezifikationen	39
Installation	40
Konfiguration der Verkabelung ...	40
Konfiguration der LED-Verkabelung	41
Montage	42
Montage: KMXL65 in die neuere Harley Davidson® FLHT 2014	44
Montage: KMXL69 in 46HDBL69 Satteltaschendeckel	47
Garantía Garantie	48

Übersicht

WICHTIGER SICHERHEITSHINWEIS

LÄNGERER DAUERBETRIEB EINES VERSTÄRKERS, LAUTSPRECHERS ODER SUBWOOFERS IN VERZERRTER, BESCHNITTENER ODER ÜBERSTEUERTER FORM KANN ZU EINER ÜBERHITZUNG IHRES AUDIOSYSTEMS FÜHREN, DAS MÖGLICHERWEISE FEUER FÄNGT UND ZU SCHWEREN SCHÄDEN AN IHREN KOMPONENTEN UND/ODER IHREM FAHRZEUG FÜHRT. VERSTÄRKER BENÖTIGEN BIS ZU 10 CM (4 ZOLL) OFFENE BELÜFTUNG. SUBWOOFER SOLLTEN MIT EINEM ABSTAND VON MINDESTENS 2,5 CM (1 ZOLL) ZWISCHEN DER VORDERSEITE DES LAUTSPRECHERS UND EINER OBERFLÄCHE MONTIERT WERDEN. KICKER-PRODUKTE SIND IN DER LAGE, SCHALLPEGEL ZU ERZEUGEN, DIE IHR GEHÖR DAUERHAFT SCHÄDIGEN KÖNNEN! WENN SIE EIN SYSTEM AUF EINEN PEGEL AUFDREHEN, DER HÖRBARE VERZERRUNGEN AUFWEIST, SCHADET DIES IHREN OHREN MEHR ALS WENN SIE EIN UNVERZERRTES SYSTEM MIT DERSELBEN LAUTSTÄRKE HÖREN. DIE SCHMERZGRENZE IST IMMER EIN INDIKATOR DAFÜR, DASS DER SCHALLPEGEL ZU LAUT IST UND IHR GEHÖR DAUERHAFT SCHÄDIGEN KANN. BITTE BENUTZEN SIE BEIM EINSTELLEN DER LAUTSTÄRKE IHREN GESUNDEN MENSCHENVERSTAND.

KMXL-Lautsprecher von KICKER sind die ultimativen Fullrange-Lautsprecher für die Schifffahrt und für Outdoor-Umgebungen, die man für Geld kaufen kann. Ganz gleich, ob Sie ein vorhandenes Audiosystem aufrüsten oder ein neues einrichten: Diese Koaxiallautsprecher mit horngeladenem Hochtöner können im Freien oder in den preisgekrönten Marine Tower-Gehäusen von KICKER montiert werden. Die KMXL liefern erstklassige Klangqualität – auch unter rauen Bedingungen wie etwa auf offenem Wasser oder bei schlechtem Wetter. Wie immer verwendet KICKER fortschrittliche Materialien und Konstruktionstechniken, um eine optimale Leistung für die kommenden Jahre zu gewährleisten. Wir hoffen, dass Sie die Chance haben, diese neuen Koaxiallautsprecher mit unserer gesamten Palette von Produkten für die Schifffahrt, einschließlich Subwoofern und Verstärkern, zu kombinieren, um das beste Audioerlebnis zu erhalten, das man für Geld kaufen kann!

Spezifikationen

KMXL-Koaxiallautsprecher	KMXL65	KMXL8	KMXL69
Tieftöner [Zoll / mm]	6-1/2, 165	8, 200	6x9 / 160x230
Spitzenbelastbarkeit [Watt]	300	500	300
Empfohlene Verstärkerleistung [Watt RMS]	15-150	15-250	15-150
Empfindlichkeit [1 W, 1 m]	92	93	92
Frequenzgang [Hz]	90–20.000	60–20.000	70–20.000
Montagebohrung Durchmesser [Zoll / mm]	5-7/16, 139	6-5/8, 168	5-13/16 X 8-9/16 148 X 218
Montagetiefe [Zoll / mm]	3-3/16, 81	3-11/16, 93	3-3/8, 85
Spezifikationen für alle Modelle			
Hochtöner [Zoll / mm]	1,25, 32		
Nennimpedanz [Ω]	4		
Empfohlene Hochpassfrequenzweiche für maximale Leistung	80 Hz 12/Oktaven		
Material des Hochtöner-Magneten	Neodym		
Material der Hochtöner-Kalotte	Aluminium		
Hochtöner-Design	Kompressionstreiber und Horn		
Material der Subwoofer-Membran	Polypropylen und Kohlefaser		
Umgebungsmaterial des Subwoofers	Behandelte Stoffe		
Schutzgitter	Ja		

Die KMXL65- und KMXL8-Schutzgitter lassen sich in 45-Grad-Schritten um den Lautsprecher drehen, um die gewünschte Position des KICKER-Logos zu erreichen. Das KICKER-Logo ist auf einer Plakette angebracht, sodass es auch in 180-Grad-Schritten gedreht werden kann.

Hinweis: Alle Spezifikationen und Leistungsangaben können sich ändern. Die aktuellsten Informationen finden Sie auf **www.kicker.com**. Um die beste Leistung aus Ihren neuen KICKER-Lautsprechern herauszuholen, empfehlen wir die Verwendung von Original-KICKER-Zubehör und -Kabeln. Damit die Lautsprecher ihre optimale Leistung erreichen, sollten Sie eine Einspielzeit von zwei Wochen einplanen.

Installation

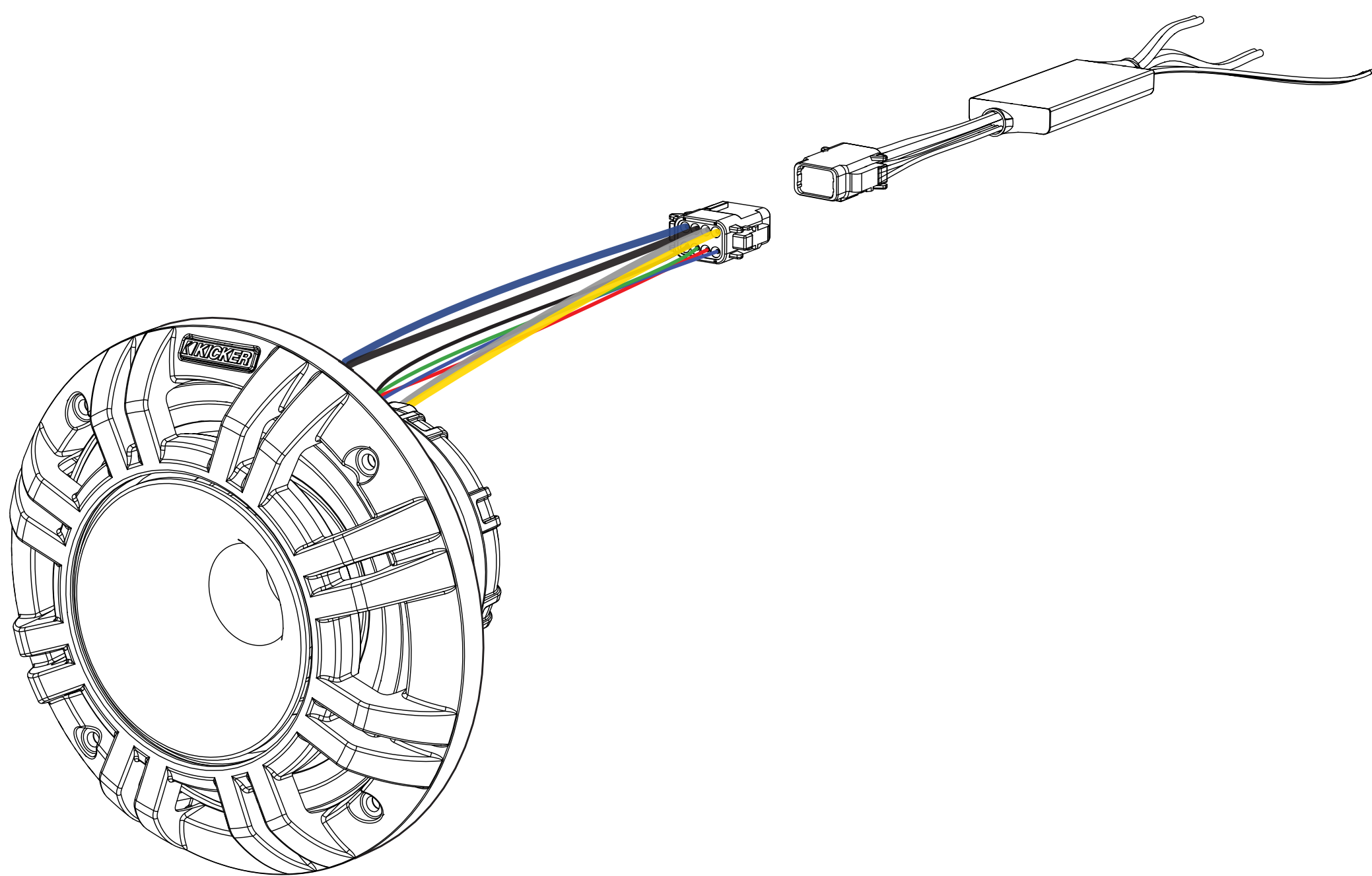
Konfiguration der Verkabelung

Wir empfehlen die Verwendung von Draht mit einer Stärke von 16 Gauge (oder mehr). Die KMXL-Lautsprecher sind für 4 Ohm ausgelegt und funktionieren mit jedem Quellgerät oder Verstärker, der für den Betrieb an einer 4-Ohm-Last ausgelegt ist.

Vergewissern Sie sich, dass Ihr Quellgerät oder Verstärker für den 4-Ohm-Betrieb ausgelegt ist.

Führen Sie das Lautsprecherkabel vorsichtig an einer Stelle entlang, die frei von stehendem Wasser und beweglichen Komponenten des Bootes ist. Für den Stereobetrieb werden mindestens zwei Verstärkerkanäle benötigt.

1. Schließen Sie den Stecker des KMXL-Lautsprechers an die KMXL-Frequenzweiche an.



2. Schließen Sie die Lautsprecherkabel der KMXL-Frequenzweiche an die Lautsprecherausgangsanschlüsse Ihres Verstärkers an.

- DURCHSICHTIGES BLAUES KABEL – PLUS (+)
- DURCHSICHTIGES SCHWARZES KABEL – MINUS (-)

Profi-Tipp: Ein KXM-Verstärker von KICKER und ein paar Kabel genügen, um ein komplettes System-Upgrade zu realisieren, das jedes Werkssystem in den Schatten stellt! Mit den Verstärkern der KICKER-Produktreihe können Sie Ihr vorhandenes oder serienmäßiges Quellgerät problemlos auf solide Bässe aufrüsten. Fragen Sie Ihren Händler auch nach KICKER Subwoofer-Upgrades.

Konfiguration der LED-Verkabelung

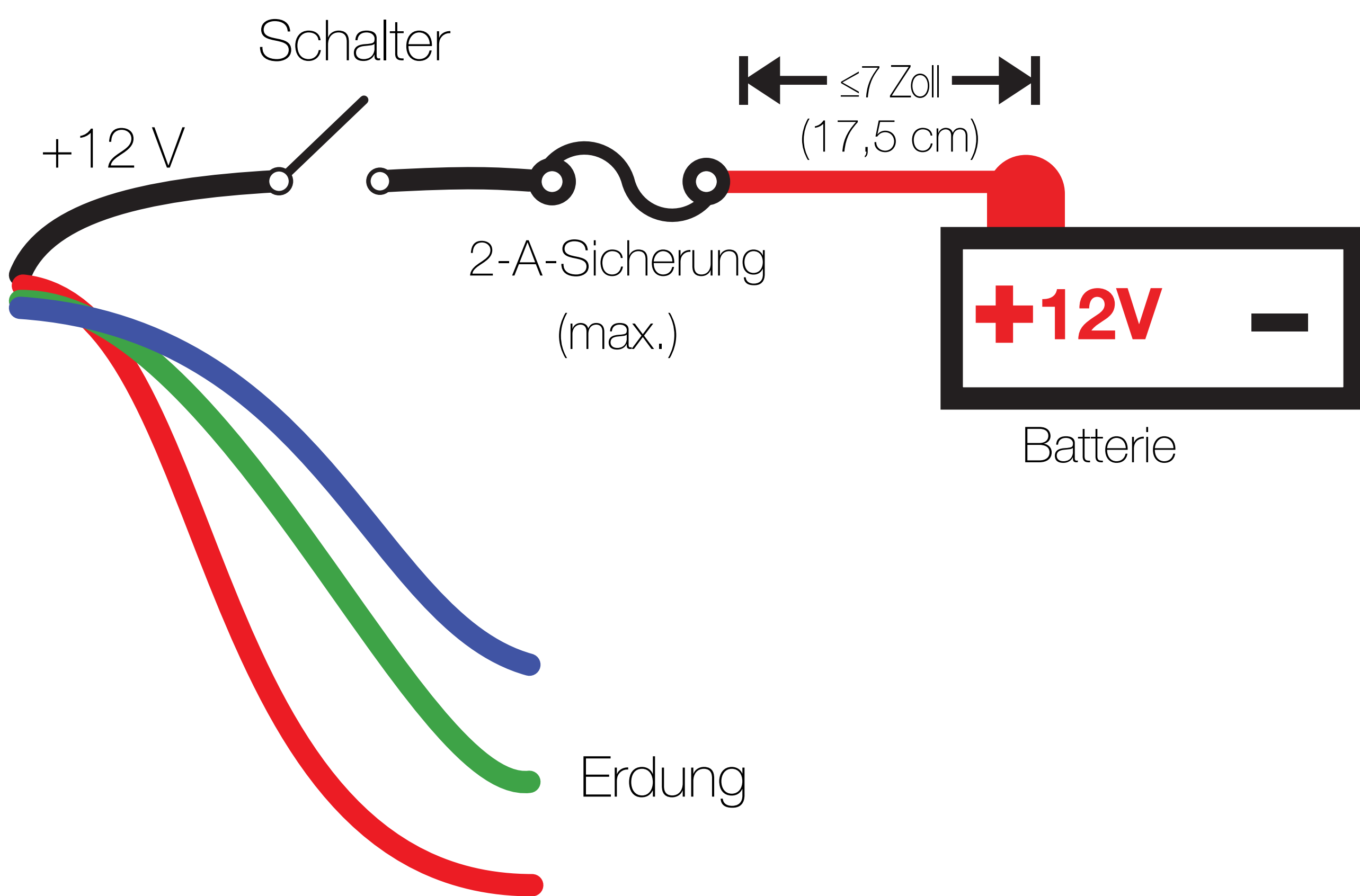
Bei der Festverdrahtung der LED-Beleuchtung ist die schwarze Leitung +12 V und die blauen, roten und grünen Leitungen sind Erdung.

1. Verbinden Sie das schwarze LED-Kabel mit dem Pluspol der Batterie.

a. Platzieren Sie eine 2-Ampere-Sicherung (nicht im Lieferumfang enthalten) nicht weiter als 7 Zoll vom Batteriepol entfernt.

b. Installieren Sie einen Schalter (nicht im Lieferumfang enthalten) am schwarzen LED-Kabel zwischen der Sicherung und dem Lautsprecher, damit die LEDs ausgeschaltet werden können. Ohne einen Schalter, um sie auszuschalten, sind sie immer eingeschaltet.

2. Verbinden Sie die roten, blauen und/oder grünen LED-Kabel mit dem Minuspol der Batterie. In der unten stehenden Tabelle finden Sie verfügbare Kombinationen.



Farbkombinationen: Verspleißen und kombinieren Sie die Erdungsdrähte, um eine andere Farbe zu erhalten.

Kabel am Minuspol angeschlossen

Rot
Grün
Blau
Rot/Grün
Rot/Blau
Blau/Grün
Rot/Grün/Blau

LED-Farbe

Rot
Grün
Blau
Limettengrün
Magenta
Aquamarin
Blauweiß

Montage

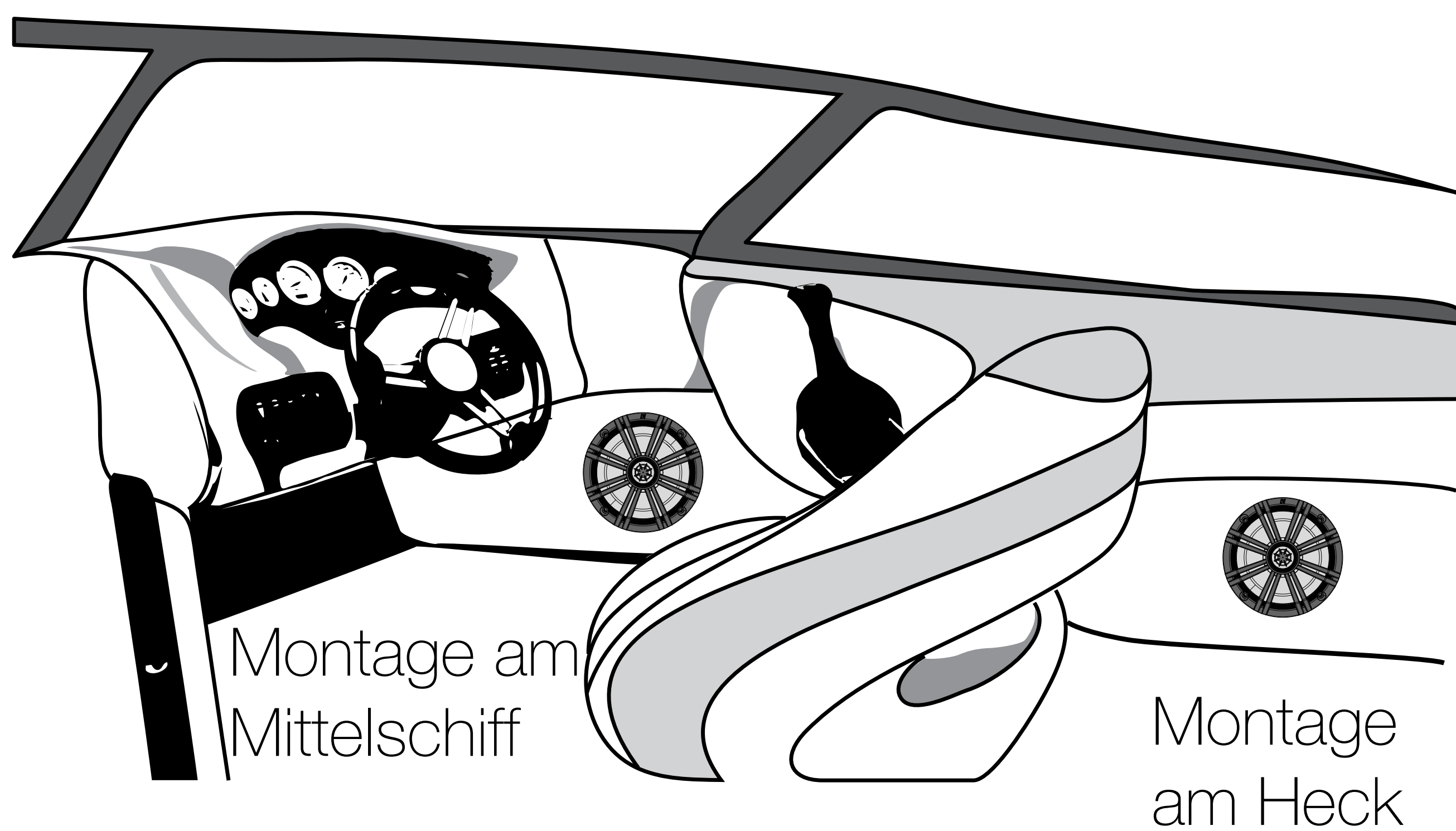
Der von den KMXL-Koaxiallautsprechern erzeugte Klang ist direktional. Finden Sie den besten Standort für stereophonen Klang. Fügen Sie dem System bei Bedarf weitere KMXL-Koaxiallautsprecher hinzu, um die Klangbühne zu verteilen und auszugleichen.

Nachdem Sie die besten Montageorte ermittelt haben, überprüfen Sie sorgfältig die Bereiche, in denen die Montagehardware platziert werden soll. Wenn noch kein Montageort vorhanden ist, schneiden Sie mithilfe der Schablonen von der [KMXL-Produktseite](#) auf KICKER.com ein Loch an der gewünschten Stelle ein. Falls erforderlich, bohren Sie die Löcher für die Befestigungsschrauben mit einem 7/64-Zoll-Bit (2,5 mm) gemäß der Schablone vor. Nur für KMXL65 und KMXL8: Bitte beachten Sie die Schraubenlöcher, die zur Befestigung des Schutzgitters an der gewünschten Stelle verwendet werden. Bringen Sie vier Schrauben in den anderen Löchern an, die nicht für das Schutzgitter verwendet werden, um den Lautsprecher an der Oberfläche zu befestigen.

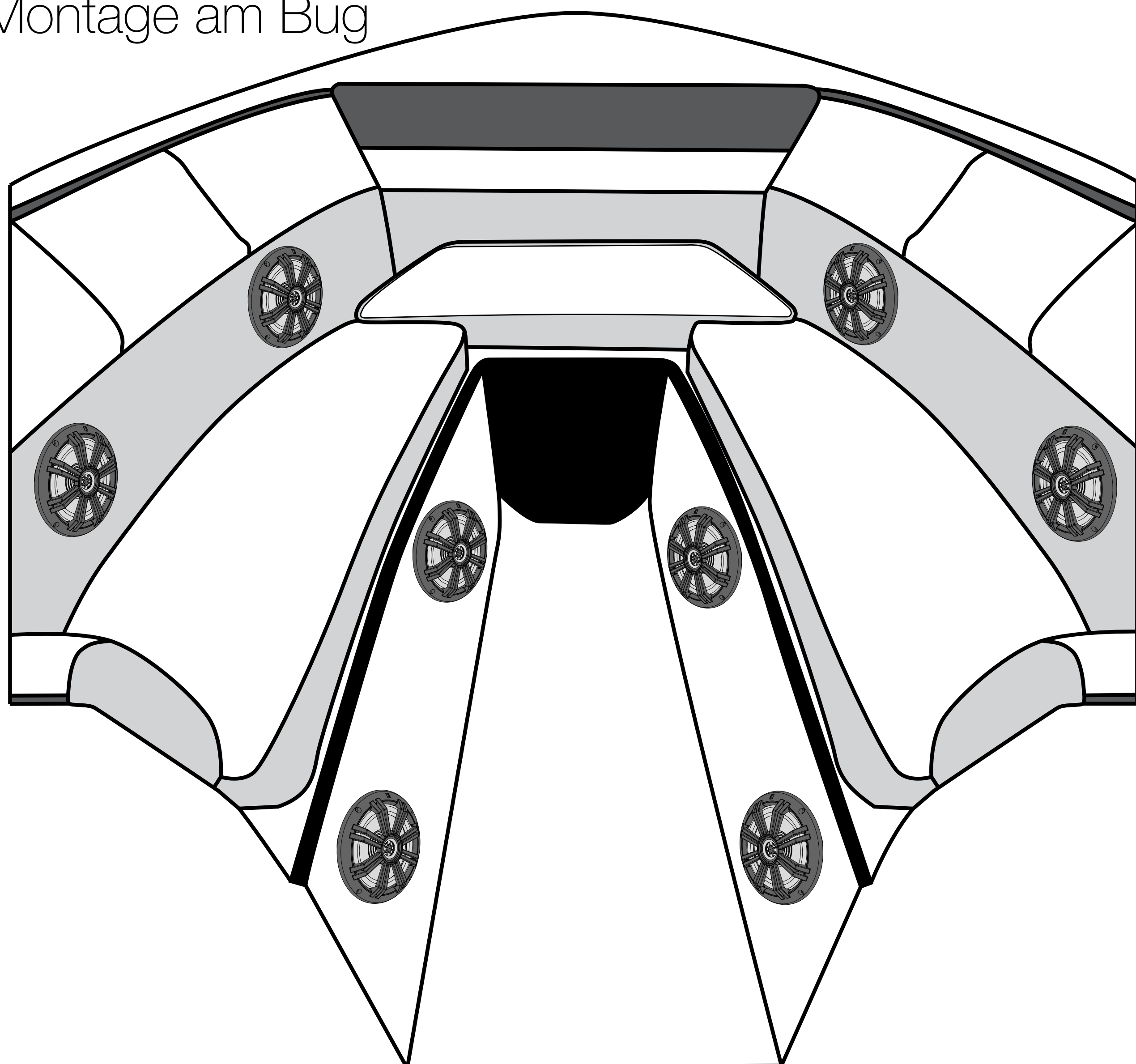
Verwenden Sie Abdeckband, um Beschädigungen der Lackierung um die zu schneidenden oder zu bohrenden Stellen zu vermeiden. Wenn Sie den Lautsprecher auf einer Oberfläche aus dünnem, weichem Material wie Aluminium montieren, verwenden Sie die mitgelieferten Schraubenmutter aus Edelstahl, um Gewinde für die Befestigungsschrauben aus Edelstahl bereitzustellen. Wenn Sie für die Aussparungen der Lautsprecher Metall schneiden müssen, vermeiden Sie strukturelles Metall und Verstrebungen. Wenn die Verkleidung das Gewicht des Lautsprechers nicht tragen kann, kann ein optionaler Verstärkungsring befestigt oder aufgeklebt werden.

Stellen Sie sicher, dass die Befestigungsschrauben und Einsteckmutter die Brennstoffzelle und die Verkabelung nicht durchstechen oder mechanische Teile auf der Unterseite der Montagefläche stören. Wenn die mitgelieferte Hardware nicht für Ihre Installation geeignet ist, müssen andere Mittel zur sicheren Befestigung der Lautsprecher am Boot verwendet werden, etwa die [KMTC Tower](#).

Befestigen Sie den Lautsprecher an der gewünschten Stelle. Mögliche Stellen für die Montage der KMXL-Koaxiallautsprecher



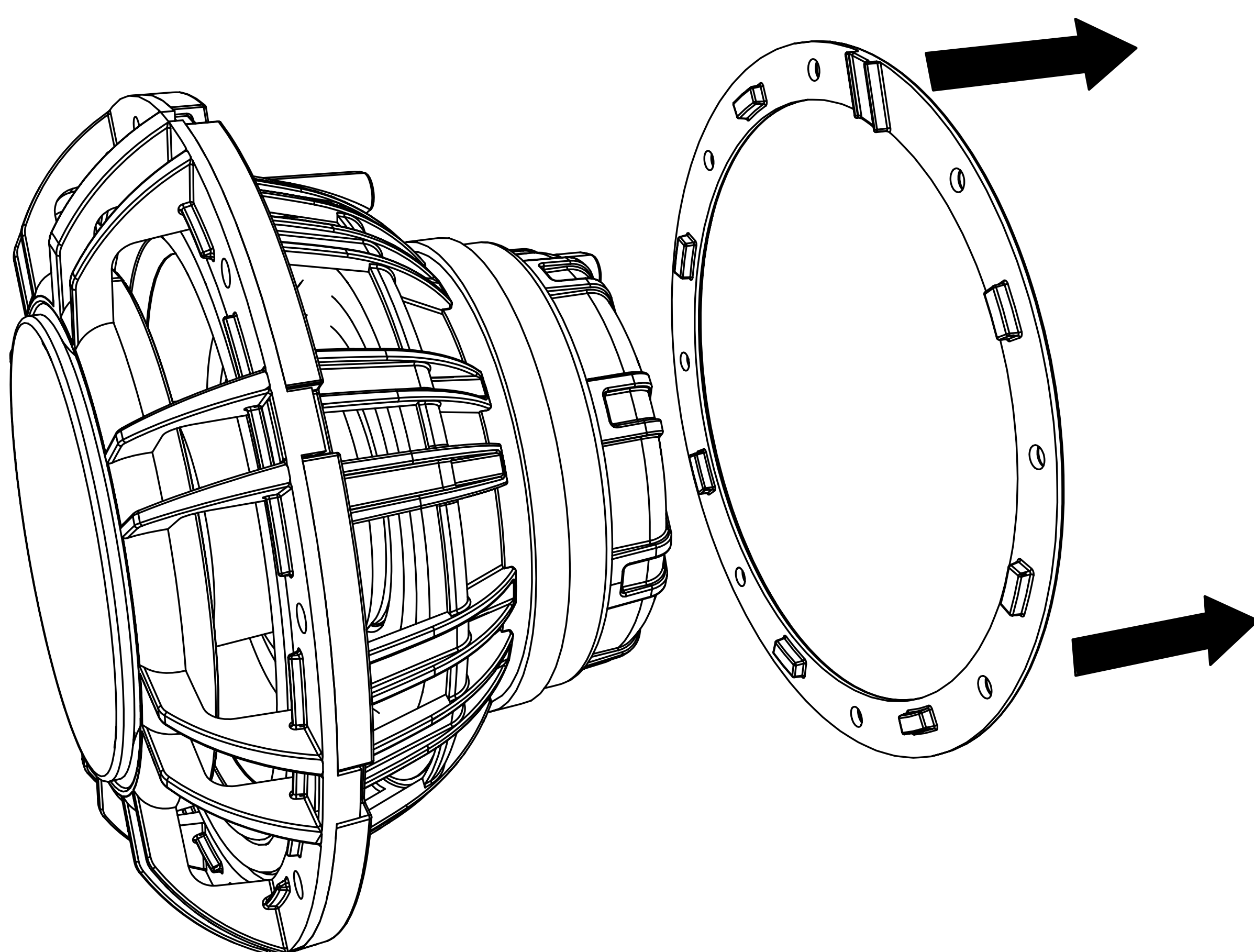
Montage am Bug



Montage: KMXL65 in die neuere Harley Davidson® FLHT 2014

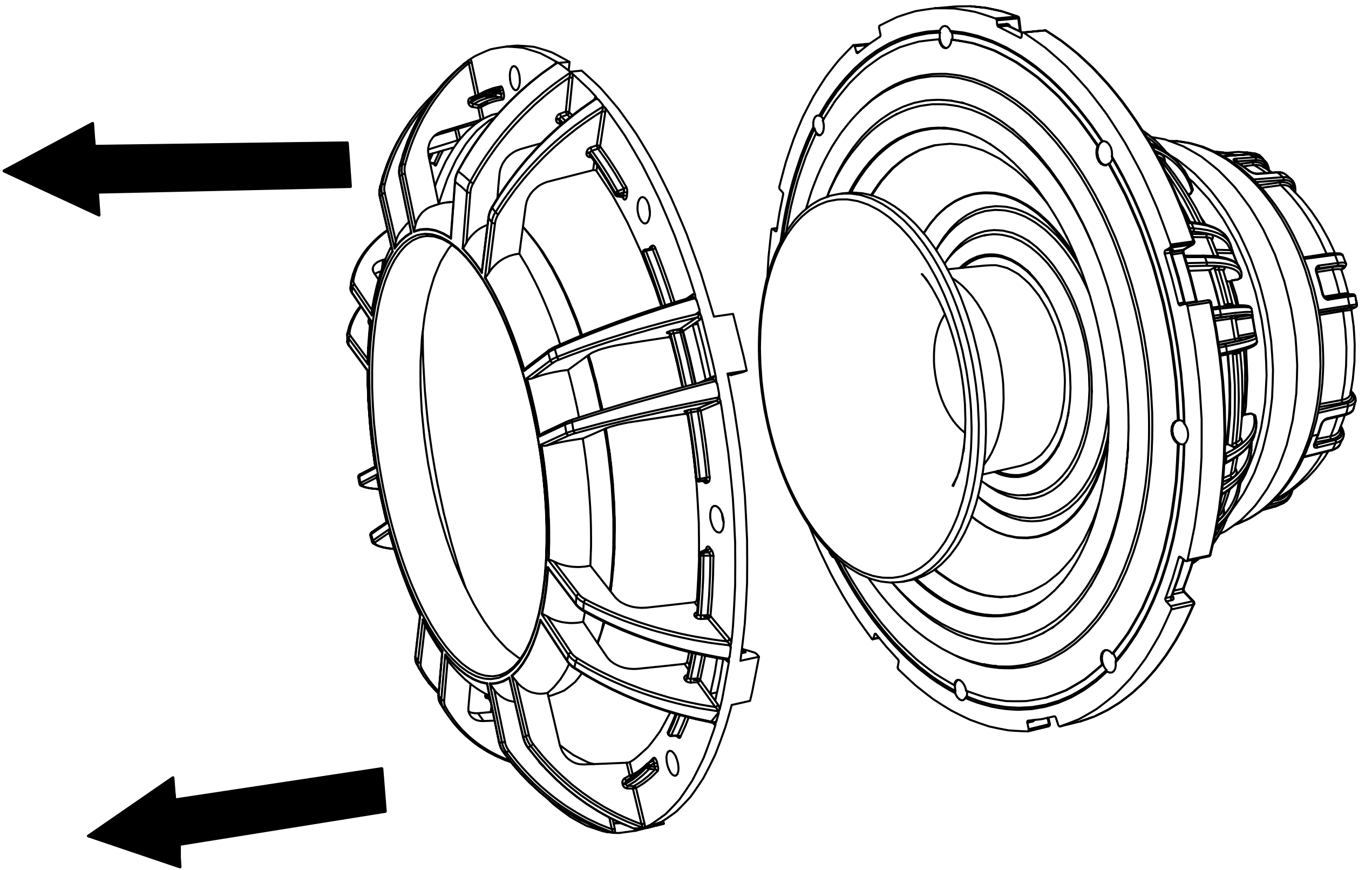
Bevor Sie beginnen: Sie müssen die werkseitigen Lautsprechergitter durch [KICKER 45HDSG-Gitter](#) ersetzen. Der KMXL65 passt in FLHT-Verkleidungen, erfordert aber eine Modifikation, bei der die LED-Brücke und die Dichtung entfernt werden. Die KMXL65 LED-Beleuchtung funktioniert nicht in den FLHT-Verkleidungen.

1. Entfernen und entsorgen Sie die Silikondichtung vom Flansch des KMXL65.

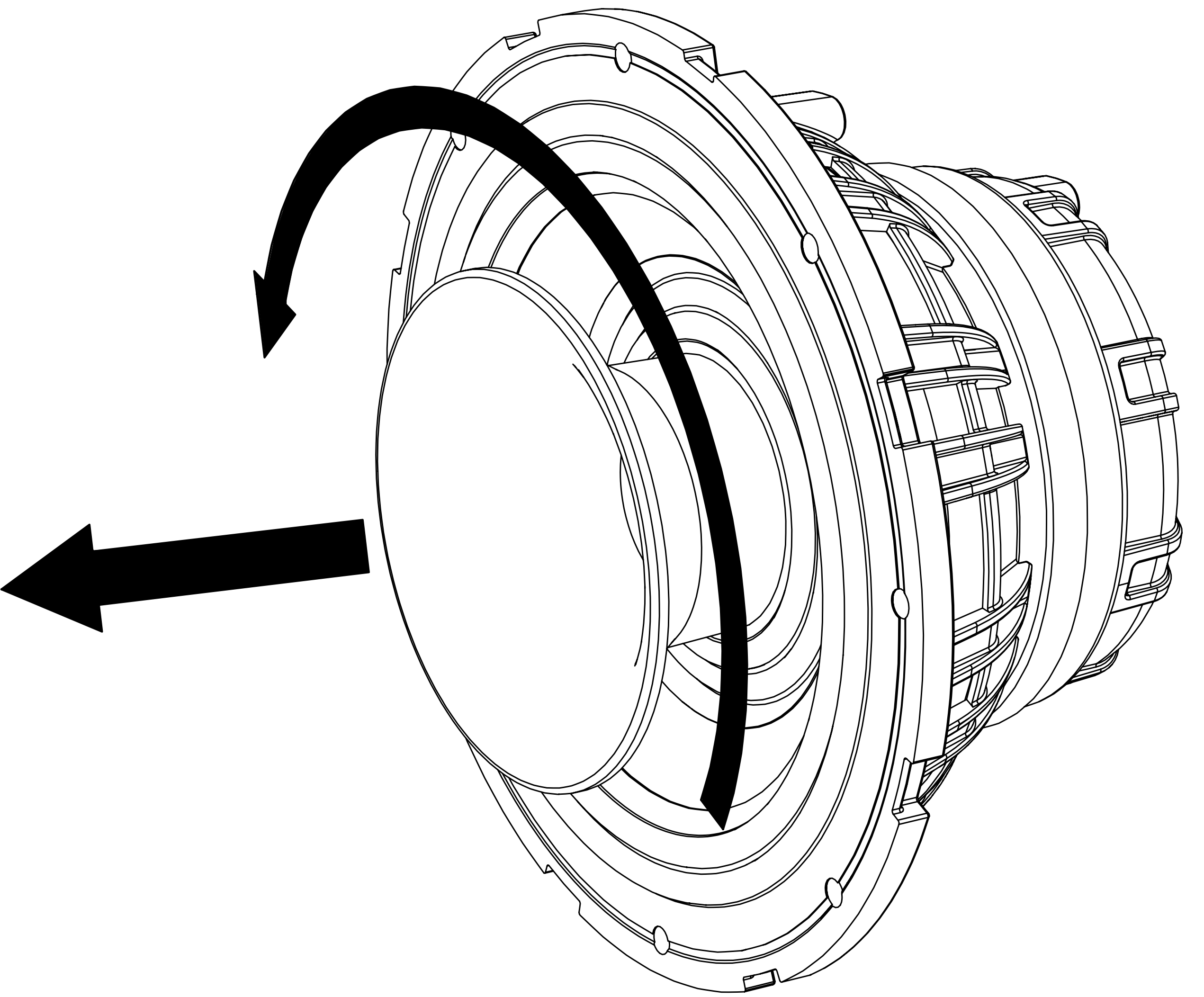


2. Entfernen Sie den Stecker des KMXL-Lautsprechers, indem Sie die Lautsprecher- und LED-Kabel aus dem Stecker herausziehen. Beachten Sie die Position der Vertiefung der einzelnen Kabelfarben.

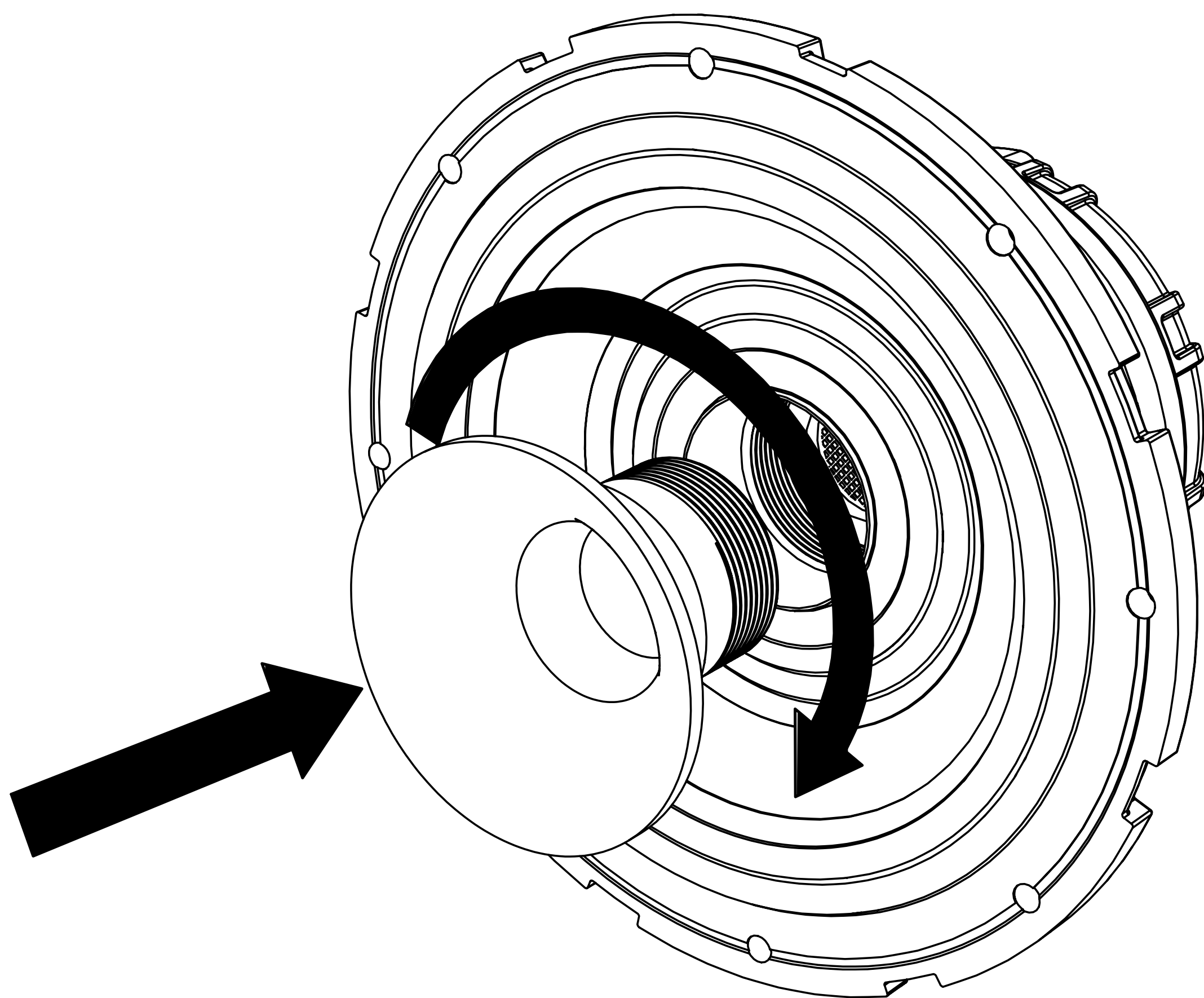
3. Entfernen und entsorgen Sie die LED-Brücke.



4. Lösen, entfernen und entsorgen Sie das montierte Horn.



5. Montieren Sie das bereitgestellte kurze Horn in den Lautsprecher.

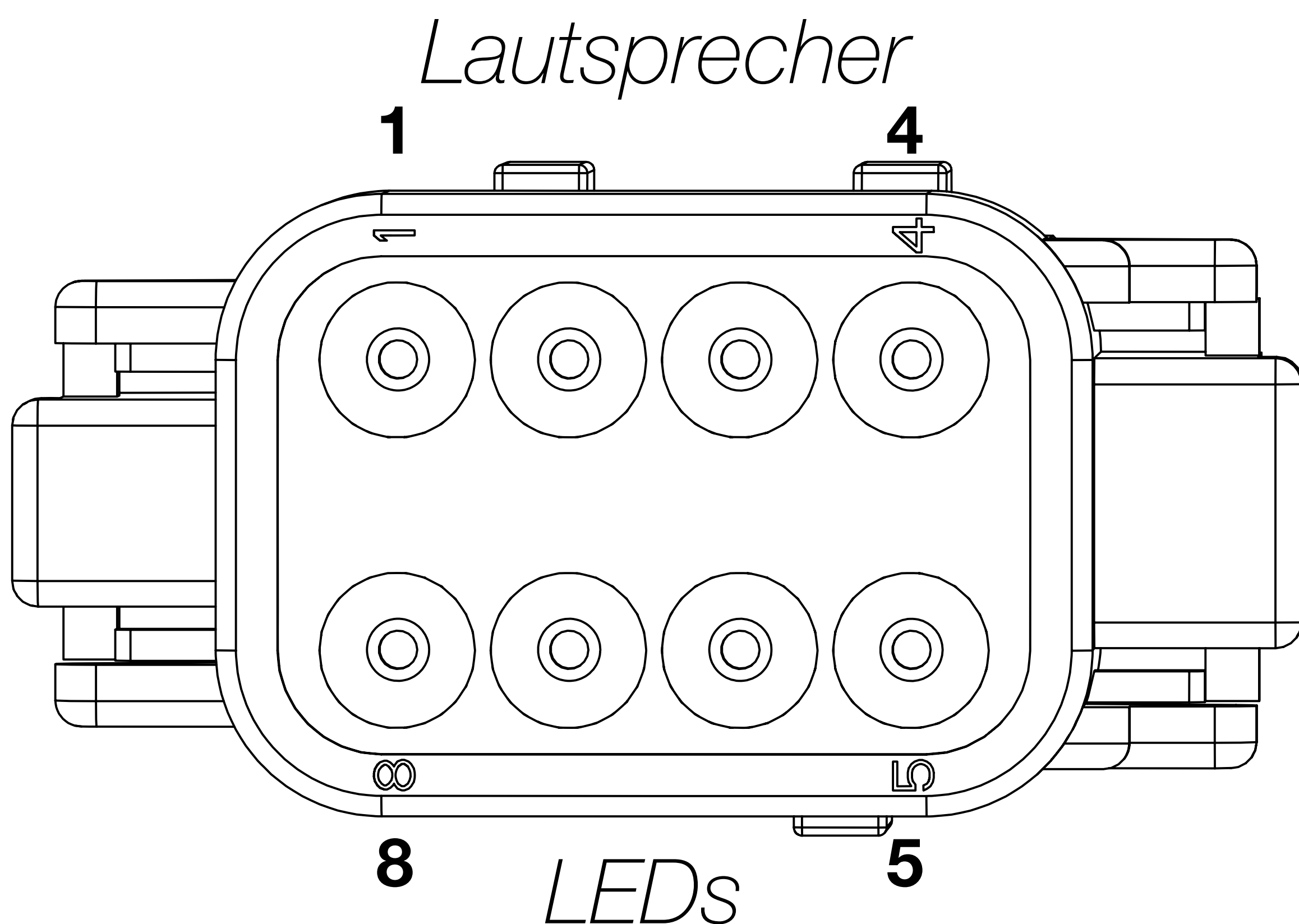


6. Entfernen Sie die werkseitigen Schutzgitter von der Innenverkleidung.

7. Montieren Sie die KICKER 45HDSG-Gitter in der Innenverkleidung.

8. Führen Sie die Kabel durch das Gehäuse und installieren Sie die Lautsprecher im Gehäuse der Verkleidung.

9. Führen Sie die Lautsprecherkabel in die richtigen Vertiefungen des Steckergehäuses ein.



- 1 - 16AWG Durchsichtig Blau**
- 2 - 16AWG Durchsichtig Schwarz**
- 3 - 16AWG Durchsichtig Isolierung Silber**
- 4 - 16AWG Durchsichtig Isolierung Gold**
- 5 - 22AWG Blau**
- 6 - 22AWG Rot**
- 7 - 22AWG Grün**
- 8 - 22AWG Schwarz**

Montage: KMXL69 in 46HDBL69 Satteltaschendeckel

Der KMXL69 wird direkt in den [KICKER 46HDBL69](#) Satteltaschendeckel geschraubt. Entsorgen Sie die Schutzgitter für die Montage in dieser Anwendung.

1. Installieren Sie die KMXL69-Lautsprecher in den Kicker 46HDBL69-Satteltaschendeckeln gemäß der [46HDBL69-Installationsanleitung](#).
2. Verlängern Sie die Lautsprecherkabel gemäß des Montageorts der Frequenzweiche.

Garantía | Garantie

Contact your International KICKER dealer or distributor concerning specific procedures for your country's warranty policies.

Our goods come with guarantees that cannot be excluded under the **Australian Consumer Law**. You are entitled to a replacement or refund for a major failure and for compensation for any other reasonably foreseeable loss or damage. You are also entitled to have the goods repaired or replaced if the goods fail to be of acceptable quality and the failure does not amount to a major failure.

GARANTÍA INTERNACIONAL **Versión Español**

Comuníquese con su concesionario o distribuidor KICKER internacional para obtener información sobre procedimientos específicos relacionados con las normas de garantía de su país.

La frase "combustible para vivir la vida Livin' Loud™ a todo volumen" se refiere al entusiasmo por la vida que la marca KICKER de estéreos de automóvil representa y a la recomendación a nuestros clientes de que vivan lo mejor posible ("a todo volumen") en todo sentido. La línea de altavoces y amplificadores KICKER es la mejor del mercado de audio de automóviles y por lo tanto representa el "combustible" para vivir a todo volumen en el área de "estéreos de automóvil" de la vida de nuestros clientes. Recomendamos a todos nuestros clientes que obedezcan todas las reglas y reglamentos locales sobre ruido en cuanto a los niveles legales y apropiados de audición fuera del vehículo.

INTERNATIONALE GARANTIE **Deutsche Version**

Nehmen Sie mit Ihren internationalen KICKER-Fachhändler oder Vertrieb Kontakt auf, um Details über die Garantieleistungen in Ihrem Land zu erfahren.

Der Slogan "Treibstoff für Livin' Loud" bezieht sich auf die mit den KICKER-Autostereosystemen assoziierte Lebensfreude und die Tatsache, dass wir unsere Kunden ermutigen, in allen Aspekten ihres Lebens nach dem Besten ("Livin' Loud") zu streben. Die Lautsprecher und Verstärker von KICKER sind auf dem Markt für Auto-Soundsysteme führend und stellen somit den "Treibstoff" für das Autostereoerlebnis unserer Kunden dar. Wir empfehlen allen unseren Kunden, sich bezüglich der zugelassenen und passenden Lautstärkepegel außerhalb des Autos an die örtlichen Lärmvorschriften zu halten.

GARANTIE INTERNATIONALE **Version Française**

Pour connaître les procédures propres à la politique de garantie de votre pays, contactez votre revendeur ou distributeur International KICKER.

L'expression "carburant pour vivre plein pot" fait référence au dynamisme de la marque KICKER d'équipements audio pour véhicules et a pour but d'encourager nos clients à faire le maximum ("vivre plein pot") dans tous les aspects de leur vie. Les haut-parleurs et amplificateurs KICKER sont les meilleurs dans le domaine des équipements audio et représentent donc pour nos clients le "carburant pour vivre plein pot" dans l'aspect "installation audio de véhicule" de leur vie. Nous encourageons tous nos clients à respecter toutes les lois et réglementations locales relatives aux niveaux sonores acceptables à l'extérieur des véhicules.

P.O. Box 459

Stillwater, Oklahoma 74076

USA

(405) 624-8510

 **stillwaterdesigns**