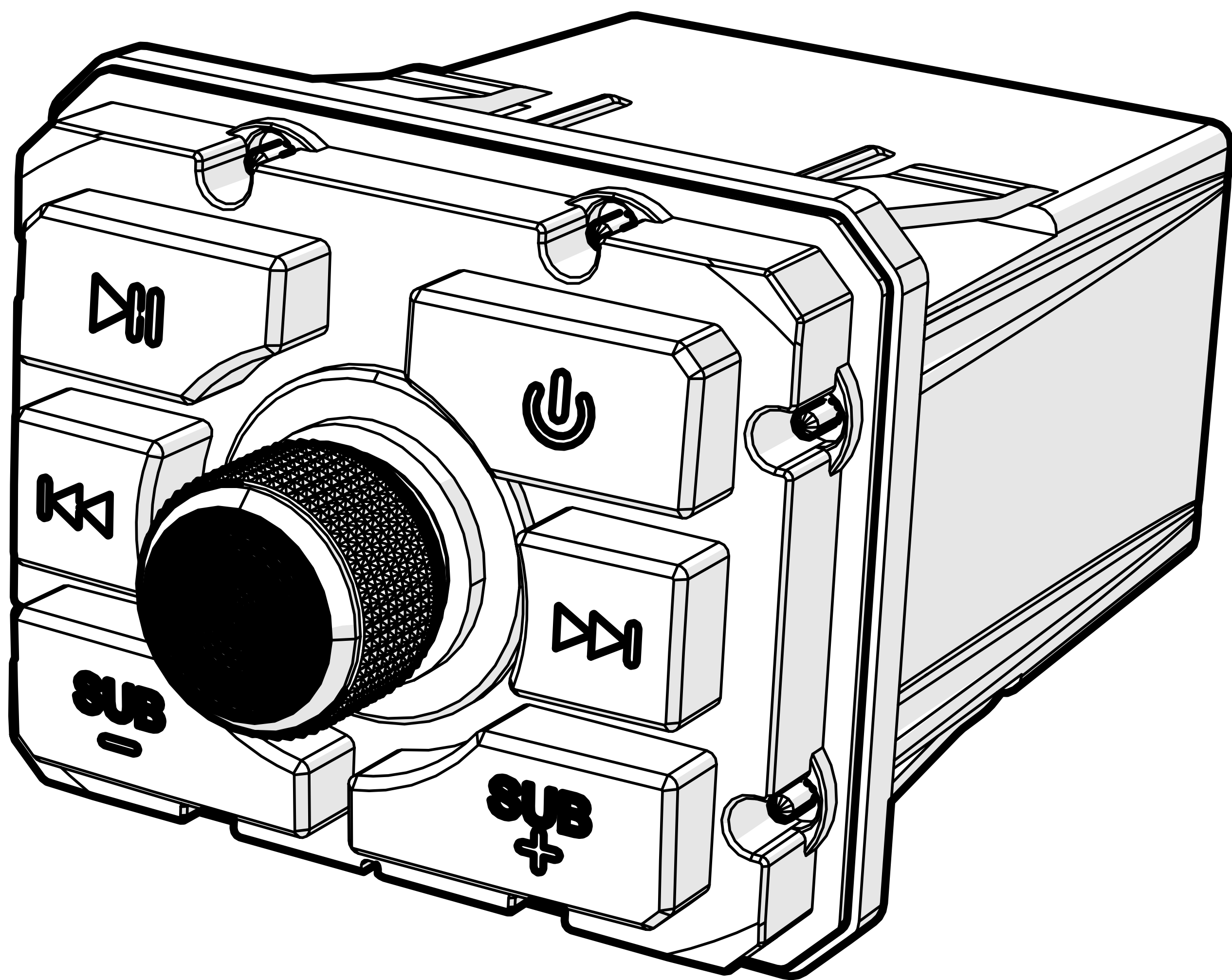


# KICKER®

**Owner's Manual**  
**Manual del Propietario**  
**Manuel d'utilisation**  
**Benutzerhandbuch**

## KICKER KBTR

PowerSports Bluetooth® Receiver  
Receptor Bluetooth® para deportes de motor  
Récepteur Bluetooth® PowerSports  
PowerSports Bluetooth®-Empfänger

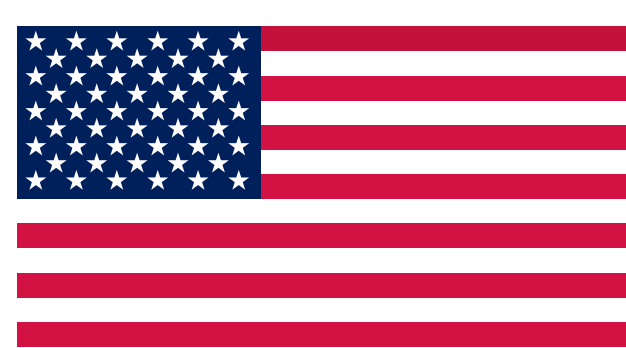


*select language*

*seleccione el idioma*

*choisir la langue*

*sprache auswählen*



## FCC Statement

This equipment has been tested and found to comply with the limits for a Class B digital device, pursuant to part 15 of the FCC Rules. These limits are designed to provide reasonable protection against harmful interference in a residential installation. This equipment generates, uses, and can radiate radio frequency energy and, if not installed and used in accordance with the instructions, may cause harmful interference to radio communications. However, there is no guarantee that interference will not occur in a particular installation. If this equipment does cause harmful interference to radio or television reception, which can be determined by turning the equipment off and on, the user is encouraged to try to correct the interference by one or more of the following measures:

- Reorient or relocate the receiving antenna.
- Increase the separation between the equipment and receiver.
- Connect the equipment into an outlet on a circuit different from that to which the receiver is connected.
- Consult the dealer or an experienced radio/TV technician for help.

## FCC Statement

This device complies with FCC radiation exposure limits set forth for an uncontrolled environment.

This device complies with Part 15 of the FCC Rules. Operation is subject to the following two conditions: (1) this device may not cause harmful interference, and (2) this device must accept any interference received, including interference that may cause undesired operation.

**Caution!** Any changes or modifications not expressly approved by the party responsible for compliance could void the user's authority to operate the equipment.

**IC Notice** - CAN ICES-3 (B) - This device complies with Industry Canada's licence-exempt RSSs. Operation is subject to the following two conditions:

(1) This device may not cause interference; and (2) This device must accept any interference, including interference that may cause undesired operation of the device.

**Avis d'Industrie Canada** - Le présent appareil est conforme aux CNR d'Industrie Canada applicables aux appareils radio exempts de licence. L'exploitation est autorisée aux deux conditions suivantes :

(1) l'appareil ne doit pas produire de brouillage; (2) l'utilisateur de l'appareil doit accepter tout brouillage radioélectrique subi, même si le brouillage est susceptible d'en compromettre le fonctionnement. mauvais fonctionnement de l'appareil.

Cet appareil numérique de la classe B est conforme à la norme NMB-003 du Canada. CAN NMB-3 (B)

The device meets the exemption from the routine evaluation limits in section 2.5 of RSS 102 and compliance with RSS-102 RF exposure, users can obtain Canadian information on RF exposure and compliance.

Le dispositif rencontre l'exemption des limites courantes d'évaluation dans la section 2.5 de RSS 102 et la conformité à l'exposition de RSS-102 rf, utilisateurs peut obtenir l'information canadienne sur l'exposition et la conformité de rf.

# Contents

---

Overview .....	2
Specifications .....	3
Installation .....	4
Power Wiring .....	4
Audio Wiring .....	5
Mounting .....	6
Operation .....	7
Status LED .....	7
Volume .....	7
Pairing .....	8
Troubleshooting .....	9
Warranty .....	10
Int. Warranty   Garantía   Garantie .....	

# Overview

---

## **IMPORTANT SAFETY WARNING**

PROLONGED CONTINUOUS OPERATION OF AN AMPLIFIER, SPEAKER, OR SUBWOOFER IN A DISTORTED, CLIPPED OR OVER-POWERED MANNER CAN CAUSE YOUR AUDIO SYSTEM TO OVERHEAT, POSSIBLY CATCHING FIRE AND RESULTING IN SERIOUS DAMAGE TO YOUR COMPONENTS AND/OR VEHICLE. AMPLIFIERS REQUIRE UP TO 4 INCHES (10CM) OPEN VENTILATION. SUBWOOFERS SHOULD BE MOUNTED WITH AT LEAST 1 INCH (2.5CM) CLEARANCE BETWEEN THE FRONT OF THE SPEAKER AND ANY SURFACE. KICKER PRODUCTS ARE CAPABLE OF PRODUCING SOUND LEVELS THAT CAN PERMANENTLY DAMAGE YOUR HEARING! TURNING UP A SYSTEM TO A LEVEL THAT HAS AUDIBLE DISTORTION IS MORE DAMAGING TO YOUR EARS THAN LISTENING TO AN UNDISTORTED SYSTEM AT THE SAME VOLUME LEVEL. THE THRESHOLD OF PAIN IS ALWAYS AN INDICATOR THAT THE SOUND LEVEL IS TOO LOUD AND MAY PERMANENTLY DAMAGE YOUR HEARING. PLEASE USE COMMON SENSE WHEN CONTROLLING VOLUME.

The KICKER KBTR Powersports Bluetooth Receiver answers every question and concern we've fielded from Powersports riders who crave music in their rides in our decades of servicing their audio needs. You need Bluetooth input; the KBTR pairs easily with any Bluetooth audio device with the push of a single button. You need a small footprint; the KBTR securely clips into 2"x1.4" mounting holes and fits most OEM Double-Switch Knockouts. You need weather-(and mud)-resistant materials; A rugged IP66-rated design withstands everything the outdoors can throw at it. You need USB audio input for your flash drive loaded up with music, and AUX input for audio devices with line out; the KBTR has you covered. You need a dedicated subwoofer output, line output and remote turn-on output to effortlessly expand your Powersports audio system in any conceivable form or fashion; triple-check. And when it comes to controlling that audio system, the oversized buttons and LED illumination make operating the receiver a cinch no matter what chaos is happening around you. There's even a dedicated subwoofer volume control right at your fingertips, so you can always hear the beat no matter how hard you're hitting the honey hole. If you've been waiting for the best source unit ever built specifically for ATVs, UTVs, XTVs, motorcycles and more, then the wait is over. The KICKER KBTR has arrived!



# Specifications

## Model:

**KBTR**

Bluetooth Range [ft, m]	60, 18.3
USB Formats	MP3, WMA, WAV, FLAC
Frequency response [Hz]	20-20k, +/-1 dB
Input Sensitivity (V)	1.0
RCA Output Voltage [V]	4
Subwoofer RCA Crossover	100Hz low-pass, 12dB/octave

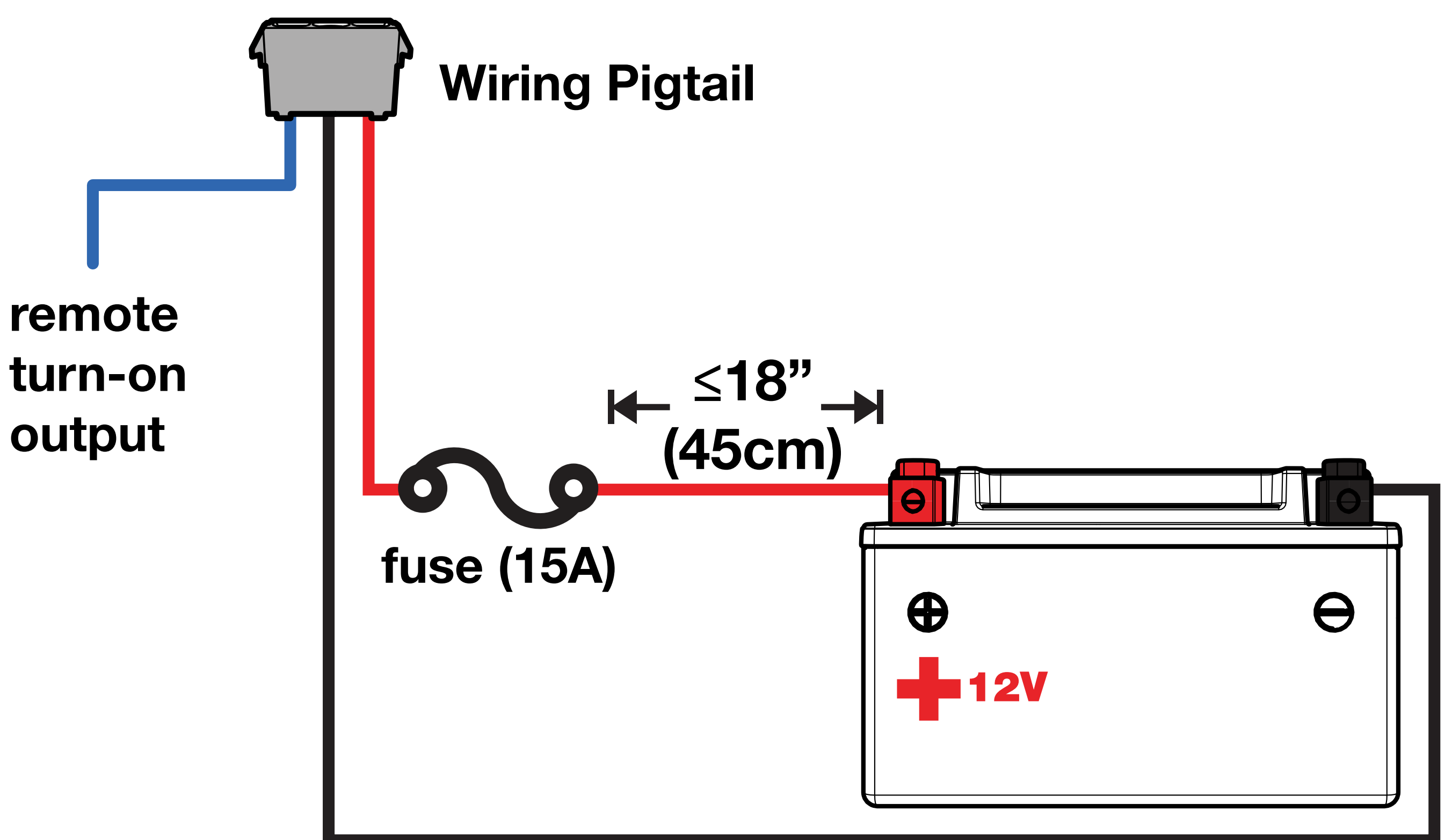
**Note:** All specifications and performance figures are subject to change. Please visit [www.kicker.com](http://www.kicker.com) for the most current information. To get the best performance from your new KICKER speakers, we recommend using genuine KICKER accessories and wiring.

**Pro Tip:** You're a KICKER amplifier and a few cables away from a full system upgrade that will dominate any factory system! KICKER line of amplifiers make it easy to upgrade to solid bass with your existing or stock source unit. Also, ask your dealer about KICKER Speaker upgrades. Check out the full lineup of [KICKER PowerSports products here!](#)

# Installation

## Power Wiring

1. Disconnect the battery to avoid an electrical short.
2. Connect the **black** Ground wire of the Wiring Pigtail to the ground terminal of the battery
3. Connect the **red** +12V Constant Power wire to positive terminal of the battery.
4. Connect the **blue** Remote Turn-on wire to the remote terminal of the amplifier.
5. Install a 15A ATM fuse on the red +12V Constant Power wire of the KBTR Wiring Pigtail. Fuse installation should be as close as possible to the battery, and no further than 18" (45cm) away from the battery.

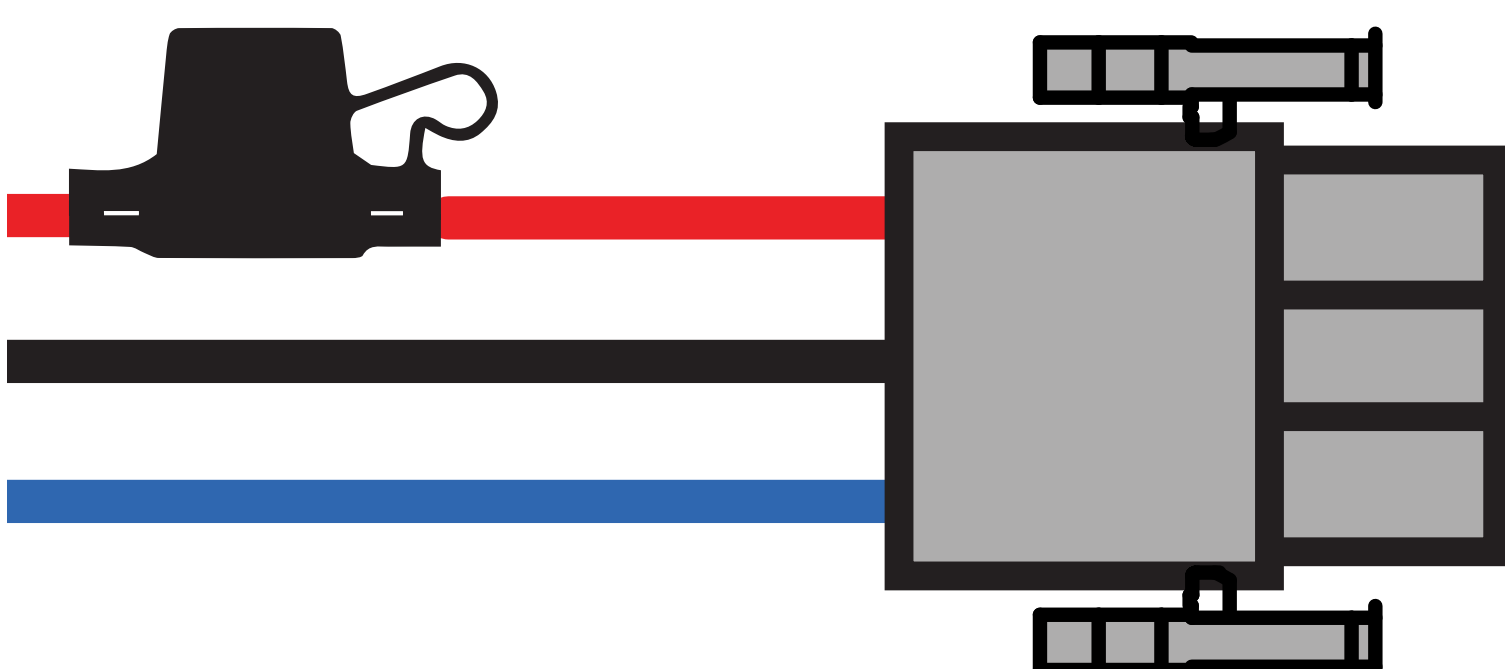


6. Connect the Wiring Pigtail to the Wiring Harness

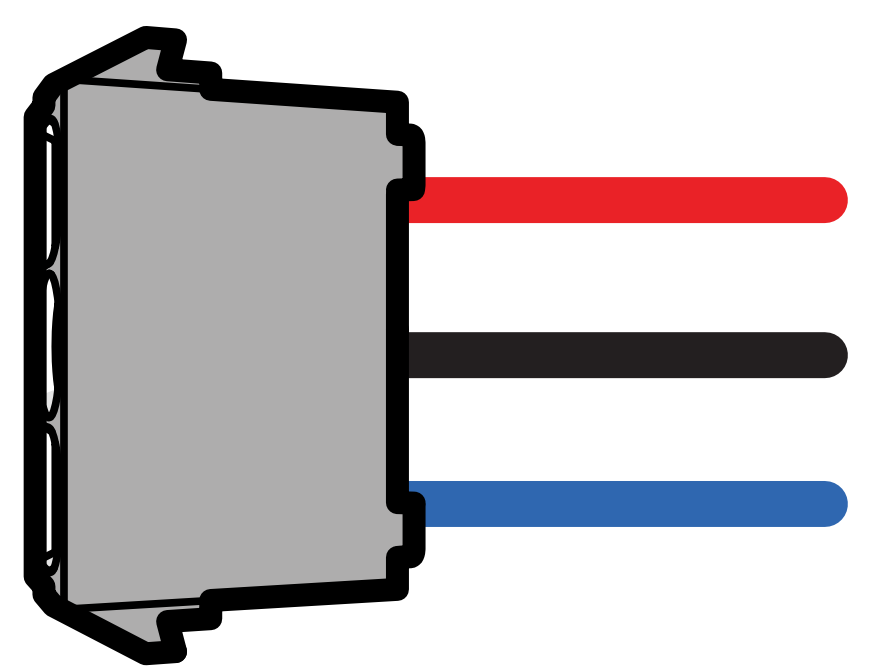
### 5A Mini-ATC Fuse Holder



### Wiring Harness

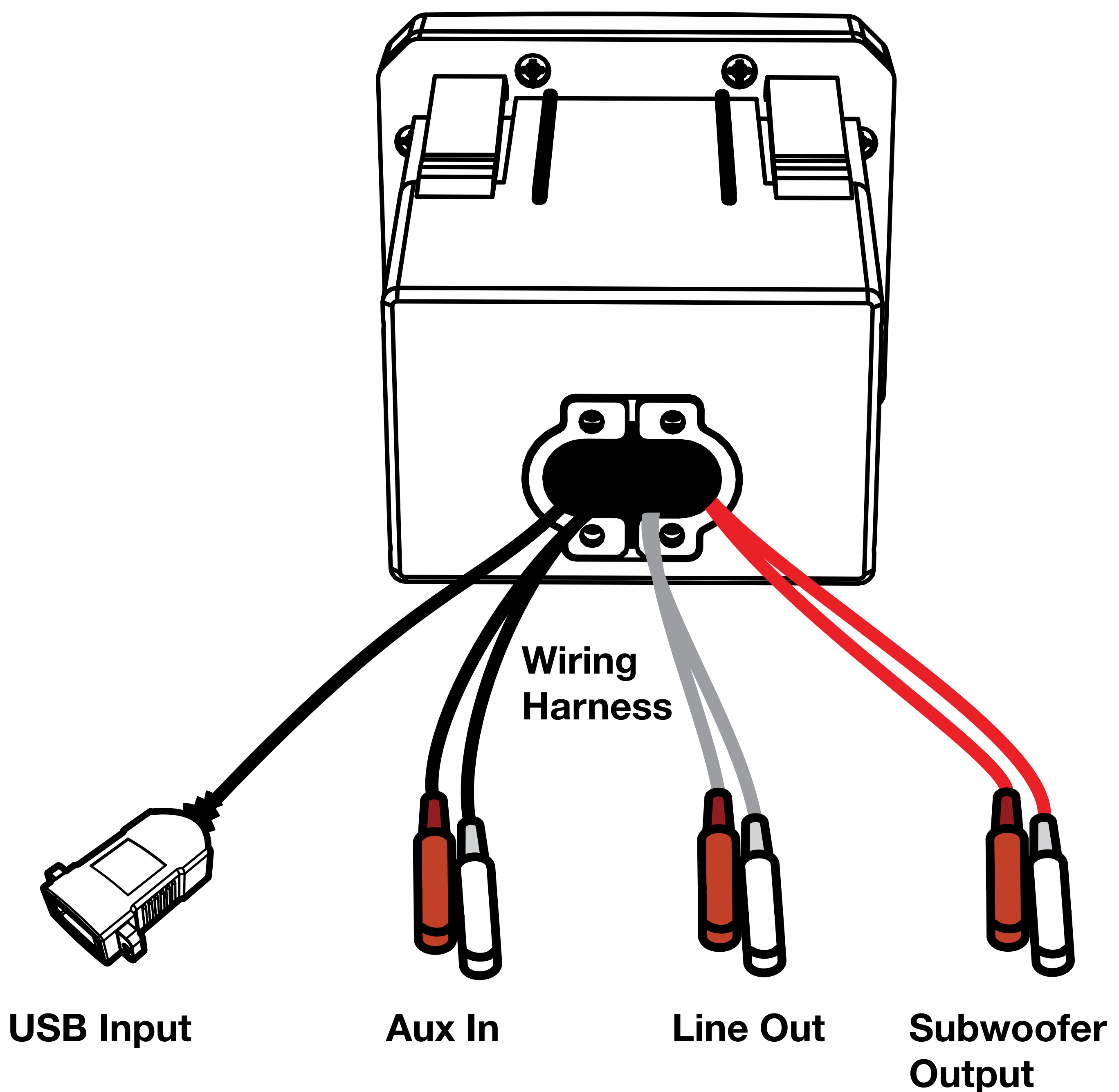


### Wiring Pigtail



# Audio Wiring

1. Connect the **Line Out** to your amplifier or other audio device.
2. Connect the **Subwoofer Output** to your amplifier.
3. Connect a USB flash drive or other compatible device to the **USB Input** to play audio files stored on a flash drive.
4. Connect an external audio device's line output to the **Aux In** to play music from that device. Set your external audio device's volume output to its maximum unclipped setting, and then use the KBTR to control the volume.



# Mounting

Choose a structurally sound location to mount your KBTR. Make sure the mounting cutout will not puncture gas tank/brake lines/wiring or interfere with any mechanical parts on the underside of the mounting surface. A flat surface is required.

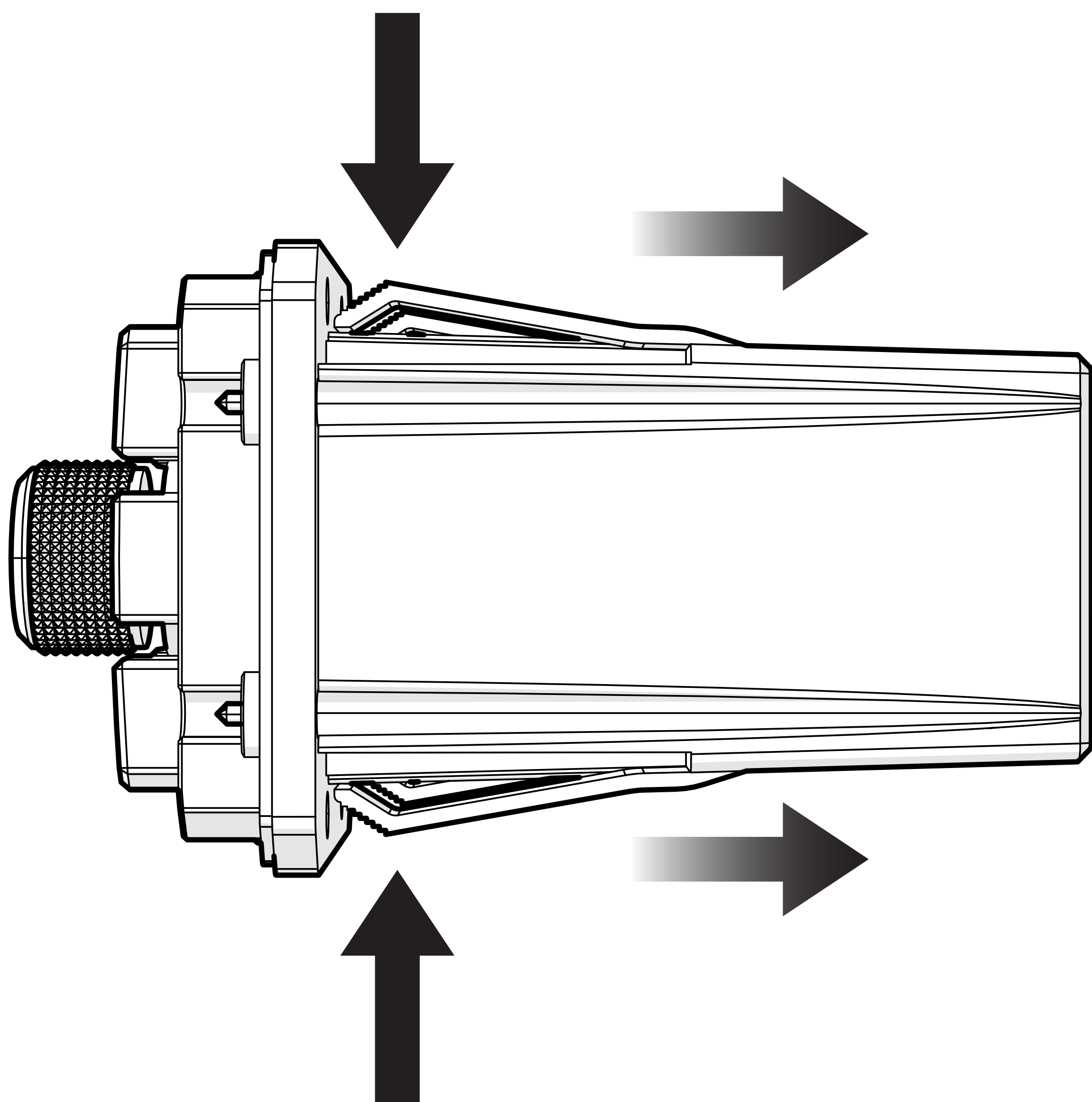
Mount the KBTR in a location that is convenient for wiring to and from your amplifier(s) and speakers.

Mounting Cutout Dimensions (see the Customer Information Card for Mounting Cutout Template, or visit the [KBTR Product Page](#)):

Height: 1.4 in., 37mm

Width: 2 in., 52mm

Push the KBTR into the cutout, depressing the tabs on the top and bottom, until the KBTR is secured in the mounting hole cutout (you may not hear a click).





# Operation

---

## Status LED

### Blue

Solid Bluetooth Mode - Connected

Blinking Bluetooth Mode - Pairing

### Red

Solid AUX Input Mode

Blink LED Brightness at Min/Max

### Green

Solid USB Input Mode

### Off

Power Off

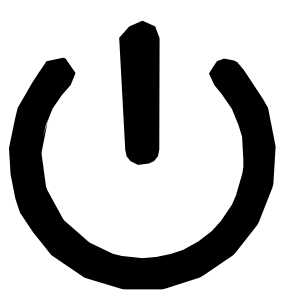
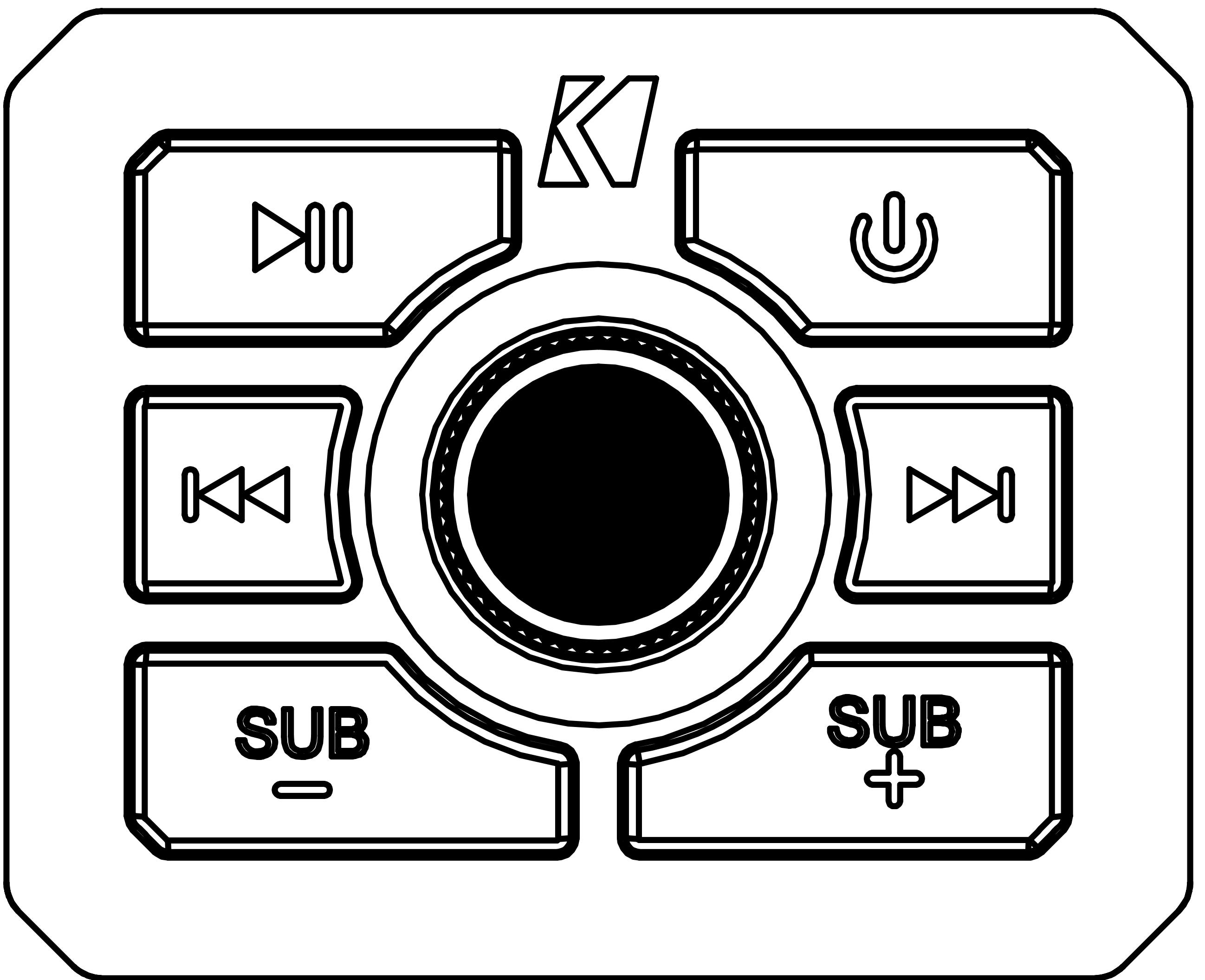
To change the LED Brightness, Short Press the Power Button until you enter AUX (Red) input mode, then Long Press the Fast Forward or Rewind buttons to raise or lower the LED Brightness from Dim, Normal, or Bright.

## Volume

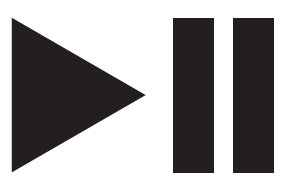
Rotate the Center Wheel/Button to increase and decrease the volume.

# Pairing

Press and hold the Center Wheel/Button to enter Bluetooth pairing mode. The LED will begin to blink blue. Select '51KBTR KICKER' from your list of Bluetooth devices. Once successfully paired, the LED will turn solid blue. Short-Press the Center Wheel/Button to reconnect to the previous Bluetooth device.



Short Press - Change Input Source  
Long Press - Power On/Off



Short Press - Play/Pause or Mute  
Long Press - Factory Reset



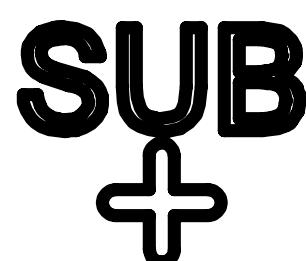
Short Press - Previous Track (Bluetooth/USB Only)  
Long Press - Rewind (Bluetooth/USB Only)



Short Press - Next Track (Bluetooth/USB Only)  
Long Press - Fast Forward (Bluetooth/USB Only)



Lower Sub Level



Raise Sub Level

# Troubleshooting

---

If the KBTR becomes frozen or stuck, or does not appear to be working, check the obvious things first such as blown fuses, poor or incorrect wiring connections, and follow the troubleshooting steps below.

**No power?** With a Volt Ohm Meter (VOM) check the following: ❶ Make sure the KBTR is on by pressing the power button. ❷ +12 volt power terminal (should read +12V to +16V) ❸ Check for reversed power and ground connections ❹ Check Ground terminal for proper conductivity. ❺ Check fuses. ❻ Remove all cables and devices connected to USB.

**Power on, no signal?** Check the following: ❶ Make sure the correct input is being used: Blue - Bluetooth, Red - AUX, Green - USB. ❷ AUX In/Out connections and cables ❸ Test audio source signal, either with a “known good” output device or other means. ❹ Audio source volume & KBTR output volume are increased.

**Bluetooth device will not connect?** On your mobile device: ❶ Turn Bluetooth off, then on again. ❷ Remove ‘51KBTR KICKER’ from the Bluetooth menu. Then pair again. ❸ Move your mobile device closer to the speaker. Avoid obstacles that may block the wireless signal. ❹ Perform a factory reset by pressing and holding the PLAY/PAUSE button for 10 seconds (Bluetooth devices must be re-paired after software reset).

**No or low output?** ❶ Check the settings on the audio source. ❷ Check that the KBTR volume is turned up. ❸ Check the speaker wiring, including AUX input and Line-level connections.

**KBTR frozen or stuck in operating procedure?** ❶ Perform a factory reset by pressing and holding the PLAY/PAUSE button for 10 seconds (Bluetooth devices must be re-paired after software reset). ❷ Cycle the power.

**CAUTION:** When jump starting the vehicle, be sure that connections made with jumper cables are correct. Improper connections can result in blown fuses as well as the failure of other critical systems in the vehicle.

If you have more questions about the installation or operation of your new KICKER product, see the Authorized KICKER Dealer where you made your purchase. For more advice on installation, click on the SUPPORT tab on the KICKER homepage, **www.KICKER.com**. Choose the TECHNICAL SUPPORT tab, choose the subject you are interested in, and then download or view the corresponding information. Please E-mail support@KICKER.com or call Technical Services (405) 624-8583 for unanswered or specific questions.

# Warranty

---

When purchased from an Authorized KICKER Dealer, KICKER warrants this product to be free from defects in material and workmanship under normal use for a period of ONE (1) YEAR from date of original purchase with receipt. If this product is identified as “Refurbished” or “B Goods”, the warranty is limited to a period of THREE (3) MONTHS from the date of original purchase. In all cases you must have the original receipt. Should service be necessary under this warranty for any reason due to manufacturing defect or malfunction during the warranty period, KICKER will repair or replace (at its discretion) the defective merchandise with equivalent merchandise. Warranty replacements may have cosmetic scratches and blemishes. Discontinued products may be replaced with more current equivalent products. This warranty is valid only for the original purchaser and is not extended to owners of the product subsequent to the original purchaser. Any applicable implied warranties are limited in duration to a period of the express warranty as provided herein beginning with the date of the original purchase at retail, and no warranties, whether express or implied, shall apply to this product thereafter. Some states do not allow limitations on implied warranties; therefore, these exclusions may not apply to you. This warranty gives you specific legal rights; however you may have other rights that vary from state to state.

## **WHAT TO DO IF YOU NEED WARRANTY OR SERVICE:**

Defective merchandise should be returned to your local Authorized Stillwater Designs (KICKER) Dealer for warranty service. Assistance in locating an Authorized Dealer can be found at [www.KICKER.com](http://www.KICKER.com) or by contacting Stillwater Designs directly. You can confirm that a dealer is authorized by asking to see a current authorized dealer window decal.

If it becomes necessary for you to return defective merchandise directly to Stillwater Designs (KICKER), call the KICKER Customer Service Department at (405) 624-8510 for a Return Merchandise Authorization (RMA) number. Package only the defective items in a package that will prevent shipping damage, and return to:

**Stillwater Designs**  
**3100 North Husband St**  
**Stillwater, OK 74075**



The RMA number must be clearly marked on the outside of the package. Please return only defective components. The return of functioning items increases your return freight charges. Non-defective items will be returned freight-collect to you. For example, if a subwoofer is defective, only return the defective subwoofer, not the entire enclosure. Include a copy of the original receipt with the purchase date clearly visible, and a “proof-of-purchase” statement listing the Customer’s name, Dealer’s name and invoice number, and product purchased. Warranty expiration on items without proof-of-purchase will be determined from the type of sale and manufacturing date code. Freight must be prepaid; items sent freight-collect, or Cash-On-Demand, will be refused.

## **WHAT IS NOT COVERED?**

This warranty is valid only if the product is used for the purpose for which it was designed. It does not cover:

- o Damage due to improper installation
- o Subsequent damage to other components
- o Damage caused by exposure to moisture, excessive heat, chemical cleaners, and/or UV radiation
- o Damage through negligence, misuse, accident or abuse. Repeated returns for the same damage may be considered abuse
- o Any cost or expense related to the removal or reinstallation of product
- o Speakers damaged due to amplifier clipping or distortion
- o Items previously repaired or modified by any unauthorized repair facility
- o Return shipping on non-defective items
- o Products with tampered or missing barcode labels
- o Products with tampered or missing serial numbers
- o Products returned without a Return Merchandise Authorization (RMA) number
- o Products purchased from an UNAUTHORIZED dealer
- o Freight Damage
- o The cost of shipping product to KICKER
- o Service performed by anyone other than KICKER

## **HOW LONG WILL IT TAKE?**

KICKER strives to maintain a goal of one week turnaround for all electronics (amplifiers, crossovers, equalizers, etc.) & acoustic returns. Delays may be incurred if lack of replacement inventory or parts is encountered. Failure to follow these steps may void your warranty. Any questions can be directed to the KICKER Customer Service Department at (405) 624-8510. Contact your International KICKER dealer or distributor concerning specific procedures for your country’s warranty policies.

# Int. Warranty | Garantía | Garantie

---

Contact your International KICKER dealer or distributor concerning specific procedures for your country's warranty policies.

Our goods come with guarantees that cannot be excluded under the **Australian Consumer Law**. You are entitled to a replacement or refund for a major failure and for compensation for any other reasonably foreseeable loss or damage. You are also entitled to have the goods repaired or replaced if the goods fail to be of acceptable quality and the failure does not amount to a major failure.

The phrase "Fuel for Livin' Loud" refers to the uncompromising quality and unyielding energy associated with KICKER car stereos and the fact that we encourage our customers to strive for the best ("Livin' Loud") in all aspects of their lives. KICKER loudspeakers and amplifiers are leaders in the mobile audio system market and are therefore the "fuel" for our customers' car stereo experience. We encourage all of our customers to follow local noise regulations regarding the permitted and appropriate volume levels outside the car.

## **GARANTÍA INTERNACIONAL**      **Versión Español**

Comuníquese con su concesionario o distribuidor KICKER internacional para obtener información sobre procedimientos específicos relacionados con las normas de garantía de su país.

La frase "combustible para vivir la vida Livin' Loud™ a todo volumen" se refiere al entusiasmo por la vida que la marca KICKER de estéreos de automóvil representa y a la recomendación a nuestros clientes de que vivan lo mejor posible ("a todo volumen") en todo sentido. La línea de altavoces y amplificadores KICKER es la mejor del mercado de audio de automóviles y por lo tanto representa el "combustible" para vivir a todo volumen en el área de "estéreos de automóvil" de la vida de nuestros clientes. Recomendamos a todos nuestros clientes que obedezcan todas las reglas y reglamentos locales sobre ruido en cuanto a los niveles legales y apropiados de audición fuera del vehículo.

## **GARANTIE INTERNATIONALE**      **Version Française**

Pour connaître les procédures propres à la politique de garantie de votre pays, contactez votre revendeur ou distributeur International KICKER.

L'expression "carburant pour vivre plein pot" fait référence au dynamisme de la marque KICKER d'équipements audio pour véhicules et a pour but d'encourager nos clients à faire le maximum ("vivre plein pot") dans tous les aspects de leur vie. Les haut-parleurs et amplificateurs KICKER sont les meilleurs dans le domaine des équipements audio et représentent donc pour nos clients le "carburant pour vivre plein pot" dans l'aspect "installation audio de véhicule" de leur vie. Nous encourageons tous nos clients à respecter toutes les lois et réglementations locales relatives aux niveaux sonores acceptables à l'extérieur des véhicules.

## **INTERNATIONALE GARANTIE**      **Deutsche Version**

Nehmen Sie mit Ihren internationalen KICKER-Fachhändler oder Vertrieb Kontakt auf, um Details über die Garantieleistungen in Ihrem Land zu erfahren.

Der Slogan "Treibstoff für Livin' Loud" bezieht sich auf die mit den KICKER-Autostereosystemen assoziierte Lebensfreude und die Tatsache, dass wir unsere Kunden ermutigen, in allen Aspekten ihres Lebens nach dem Besten ("Livin' Loud") zu streben. Die Lautsprecher und Verstärker von KICKER sind auf dem Markt für Auto-Soundsysteme führend und stellen somit den "Treibstoff" für das Autostereoerlebnis unserer Kunden dar. Wir empfehlen allen unseren Kunden, sich bezüglich der zugelassenen und passenden Lautstärkepegel außerhalb des Autos an die örtlichen Lärmvorschriften zu halten.



P.O. Box 459  
Stillwater, Oklahoma 74076  
USA  
(405) 624-8510