

# **KICKER**<sup>®</sup>

---

**KMC4** | *Media Center*

## **51KMC4**

Owner's Manual | English

Manual del Propietario | Español  
KMC4 Receptor Multi-Media

Benutzerhandbuch | Deutsch  
KMC4 Multi-Media-Receiver

Manuel d'utilisation | Française  
KMC4 Multi-Media Receiver

## **FCC Statement**

This equipment has been tested and found to comply with the limits for a Class B digital device, pursuant to part 15 of the FCC Rules. These limits are designed to provide reasonable protection against harmful interference in a residential installation. This equipment generates, uses, and can radiate radio frequency energy and, if not installed and used in accordance with the instructions, may cause harmful interference to radio communications. However, there is no guarantee that interference will not occur in a particular installation. If this equipment does cause harmful interference to radio or television reception, which can be determined by turning the equipment off and on, the user is encouraged to try to correct the interference by one or more of the following measures:

- Reorient or relocate the receiving antenna.
- Increase the separation between the equipment and receiver.
- Connect the equipment into an outlet on a circuit different from that to which the receiver is connected.
- Consult the dealer or an experienced radio/TV technician for help.

## **FCC Statement**

This device complies with FCC radiation exposure limits set forth for an uncontrolled environment.

This device complies with Part 15 of the FCC Rules. Operation is subject to the following two conditions: (1) this device may not cause harmful interference, and (2) this device must accept any interference received, including interference that may cause undesired operation.

**Caution!** Any changes or modifications not expressly approved by the party responsible for compliance could void the user's authority to operate the equipment.

**IC Notice** - CAN ICES-3 (B) - This device complies with Industry Canada's licence-exempt RSSs. Operation is subject to the following two conditions:

(1) This device may not cause interference; and (2) This device must accept any interference, including interference that may cause undesired operation of the device.

**Avis d'Industrie Canada** - Le présent appareil est conforme aux CNR d'Industrie Canada applicables aux appareils radio exempts de licence. L'exploitation est autorisée aux deux conditions suivantes :

(1) l'appareil ne doit pas produire de brouillage; (2) l'utilisateur de l'appareil doit accepter tout brouillage radioélectrique subi, même si le brouillage est susceptible d'en compromettre le fonctionnement. mauvais fonctionnement de l'appareil.

Cet appareil numérique de la classe B est conforme à la norme NMB-003 du Canada. CAN NMB-3 (B)

The device meets the exemption from the routine evaluation limits in section 2.5 of RSS 102 and compliance with RSS-102 RF exposure, users can obtain Canadian information on RF exposure and compliance.

Le dispositif rencontre l'exemption des limites courantes d'évaluation dans la section 2.5 de RSS 102 et la conformité à l'exposition de RSS-102 rf, utilisateurs peut obtenir l'information canadienne sur l'exposition et la conformité de rf.

mounting hole cutout template (also [available online](#)):

3 inches, 76.2 mm

gabarit de montage trou découpé:

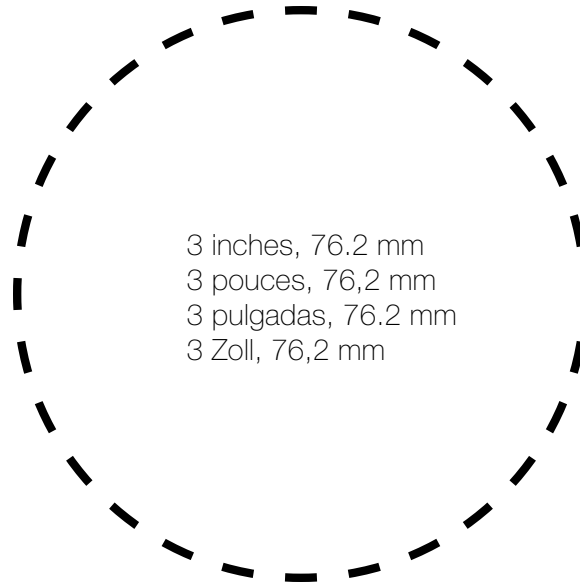
3 pouces, 76,2 mm

plantilla de recorte del agujero de montaje:

3 pulgadas, 76.2 mm

montageloch ausschnittschablone :

3 Zoll, 76,2 mm



mounting hole cutout template (also [available online](#)):

3 inches, 76.2 mm

gabarit de montage trou découpé:

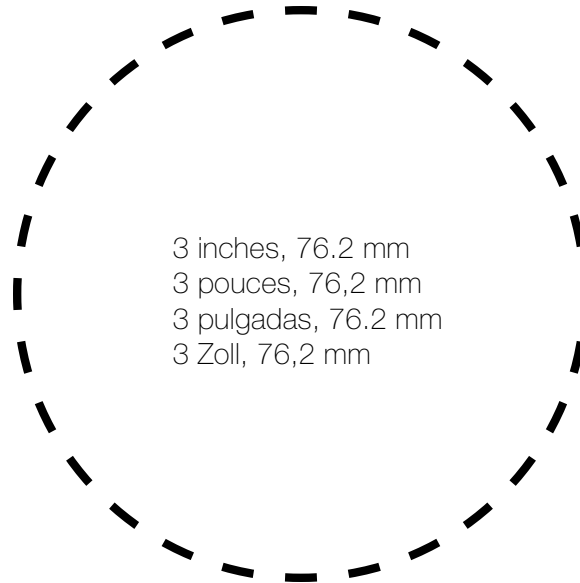
3 pouces, 76,2 mm

plantilla de recorte del agujero de montaje:

3 pulgadas, 76.2 mm

montageloch ausschnittschablone :

3 Zoll, 76,2 mm



## Contents

Specs	5
Overview	6
Installation	7
Microphone Installation	10
Operation	11
Troubleshooting	13
Warranty	

## SPECIFICATIONS

<i>Model</i>	<i>KMC4</i>
Power Output @ 14.4V, 2Ω stereo, <10% THD+N	38W x 4
Power Output @ 14.4V, 4Ω stereo, <10% THD+N	25W x 4
Frequency Response [Hz]	20 – 20k
Signal-to-Noise Ratio [dB]	100
Pre-Amp Outputs	Front, Rear, Sub, Zone2
Input Sensitivity	500mV
USB Playback	MP3/WMA/FLAC/AAC/WAV
USB Charging	DC 5V, 1A
USB Compatible File System	FAT32
IP Rating	IP66
Line-Out Level [V]	4
Outer Trim Dimensions[in, cm]	3.5 x 5.5, 8.89 x 13.97
Protrusion From Mounting Surface [in, cm]	1-1/8, 2.86
Total Mounting Depth [in, cm]	3-15/16, 10
Mounting Hole Diameter [in, cm]	3, 7.62

Authorized KICKER Dealer: \_\_\_\_\_

Purchase Date: \_\_\_\_\_

Serial Number: \_\_\_\_\_

**Be careful not to drill into wiring or vehicle mechanisms. You are solely responsible for securely mounting the KMC4 Media Center.** See page 2–3 (or the [KMC4 Product Page](#)) for mounting hole cutout template.

Before installation, you may wish to plan your placement of the USB and Auxiliary inputs, and the optional KRC12 remote (sold separately), for both convenience and looks!

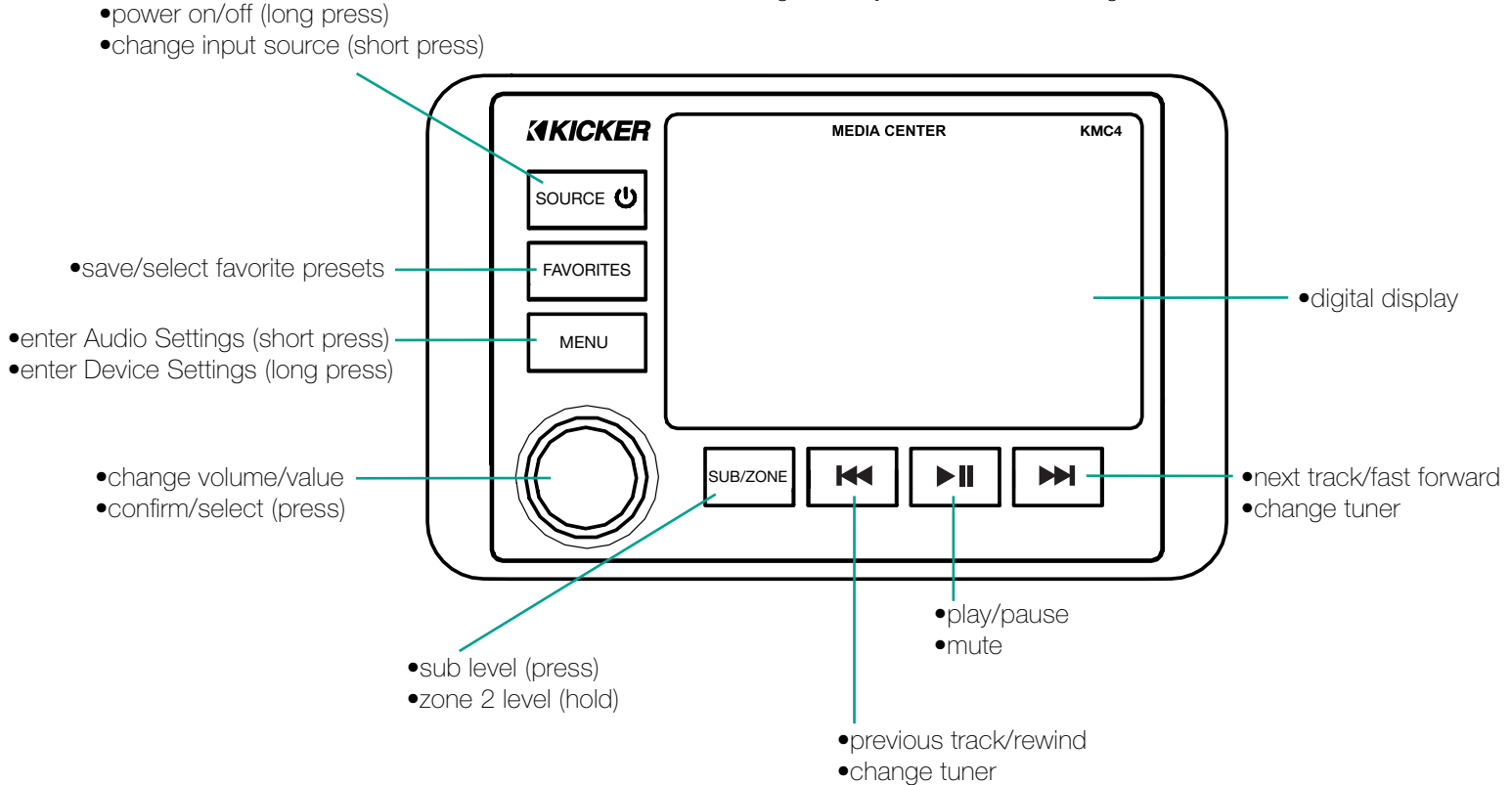
With a KICKER KXM amplifier, a pair of KICKER KM speakers, and a few KICKER cables, you're looking at a full system upgrade that will dominate! KICKER amplifiers and accessories make upgrading a snap. Ask your dealer about KICKER amplifiers and speaker upgrades to complete your system!

All specifications and performance figures are subject to change. Please visit **www.kicker.com** for the most current information.

**WARNING:** KICKER products are capable of producing sound levels that can permanently damage your hearing! Turning up a system to a level that has audible distortion is more damaging to your ears than listening to an undistorted system at the same volume level. The threshold of pain is always an indicator that the sound level is too loud and may permanently damage your hearing. Please use common sense when controlling volume.

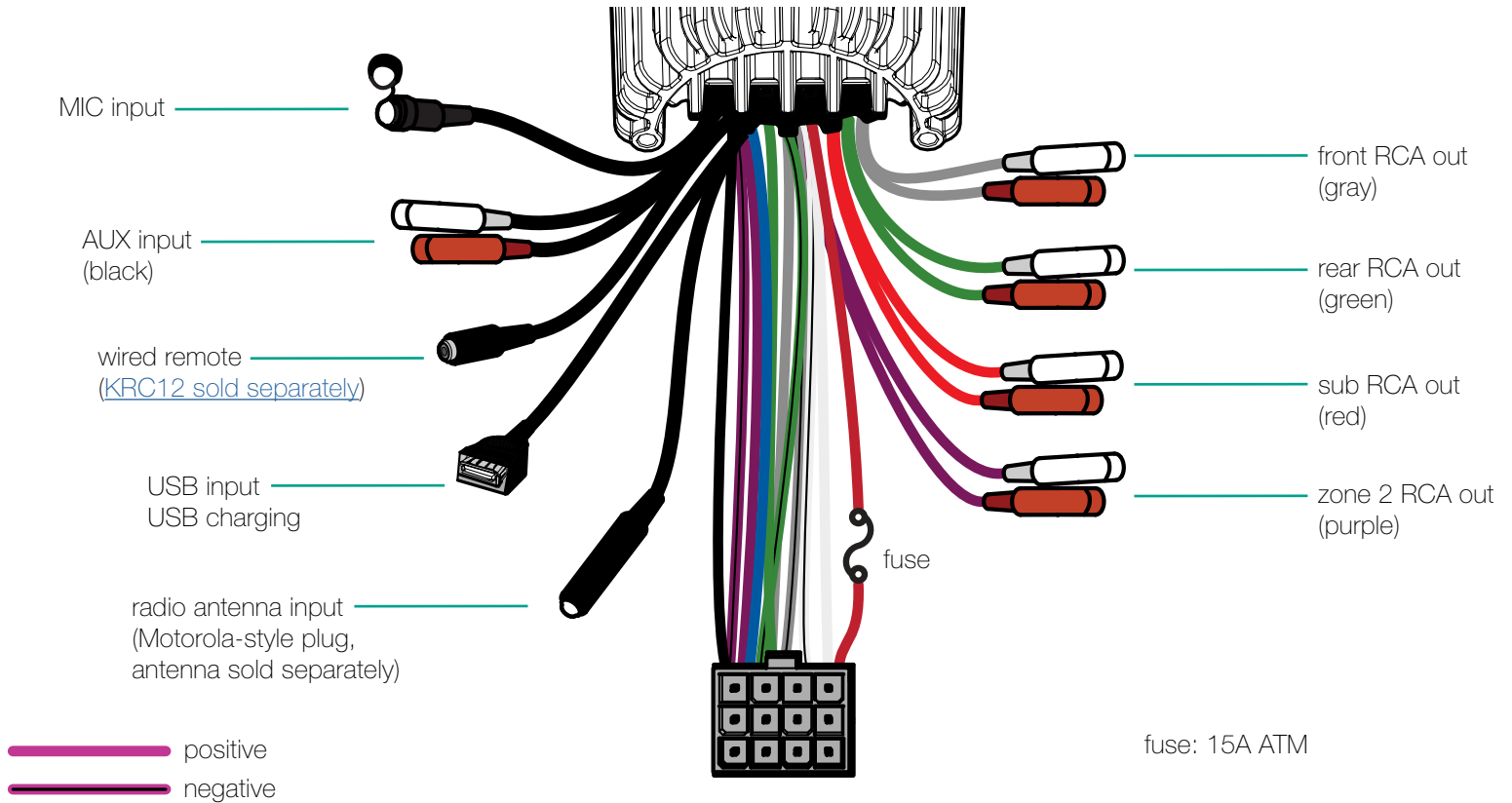
## OVERVIEW

If the battery voltage is low (<+10.5V), an on-screen warning will appear.  
Recharge battery and avoid becoming stuck or marooned.



*NOTE: Use short and long presses to operate.  
Some input sources do not support all functions.*

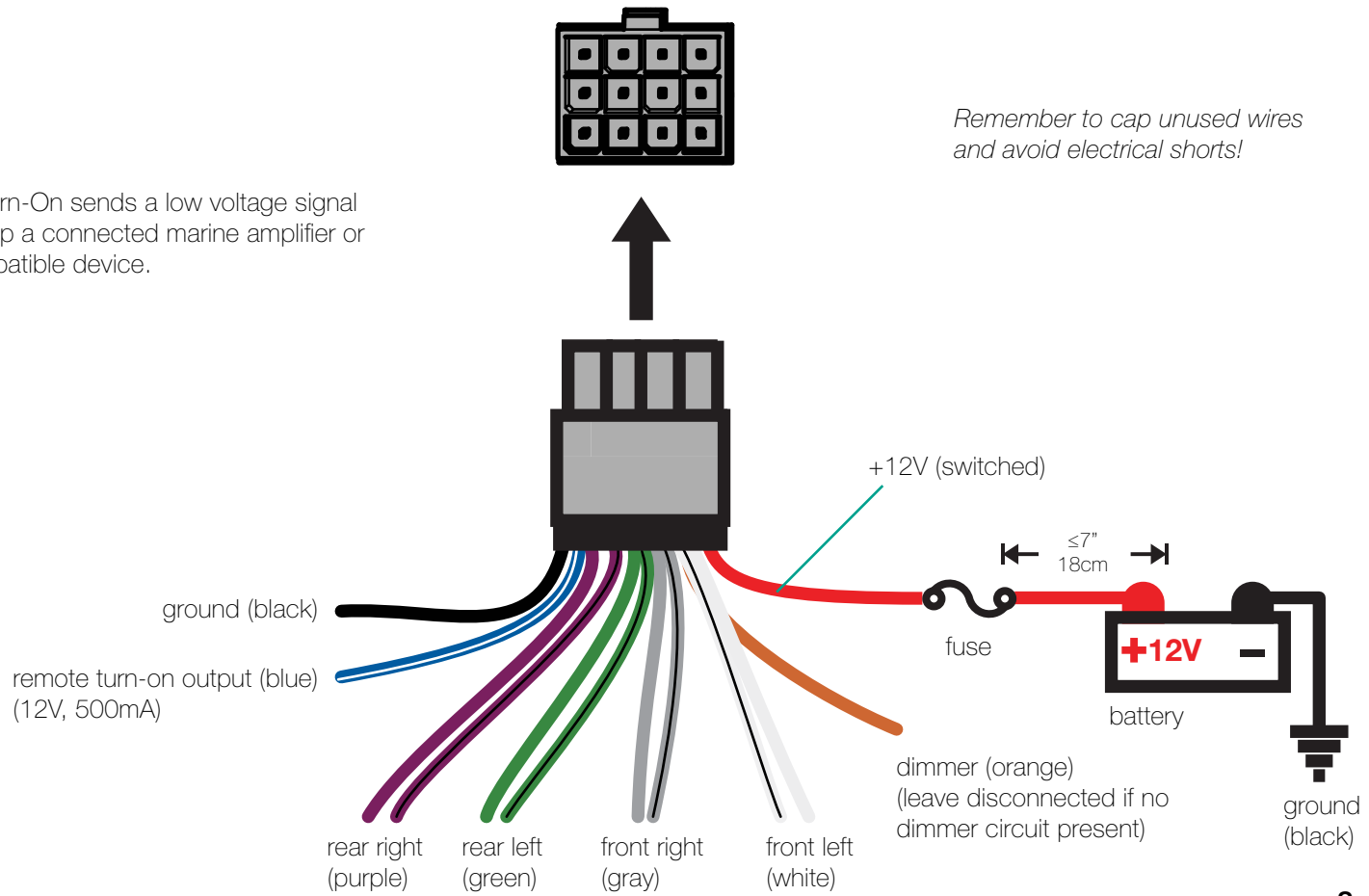
# KMC4 INSTALLATION



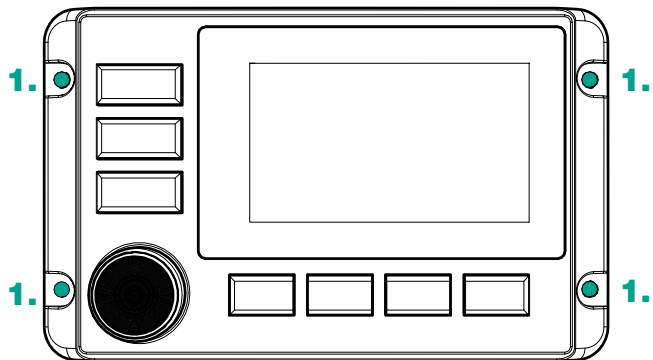


Remote Turn-On sends a low voltage signal to power up a connected marine amplifier or other compatible device.

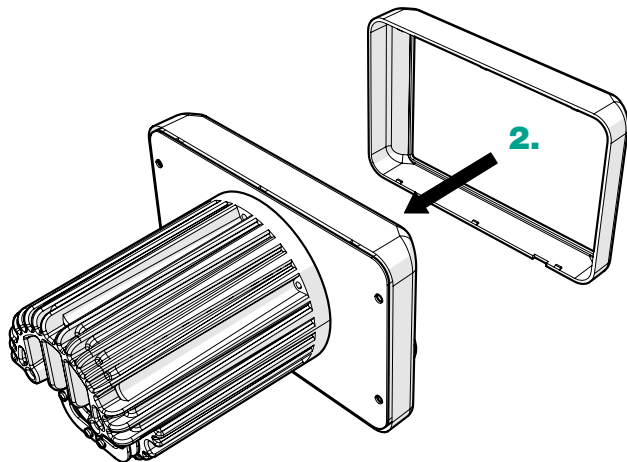
*Remember to cap unused wires and avoid electrical shorts!*



**1.** Securely fasten the KMC4 to the mounting surface using the including screws.



**2.** Attach the snap-on trim ring to the front of the KMC4.

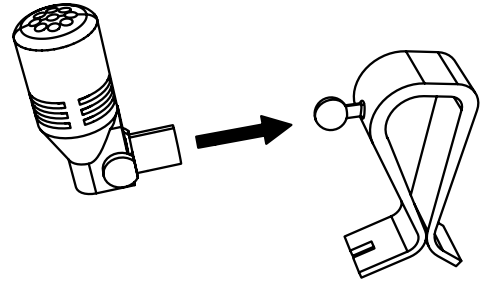


## MICROPHONE INSTALLATION

Microphone is not waterproof and **MUST** be mounted in a dry location and aimed towards the user.

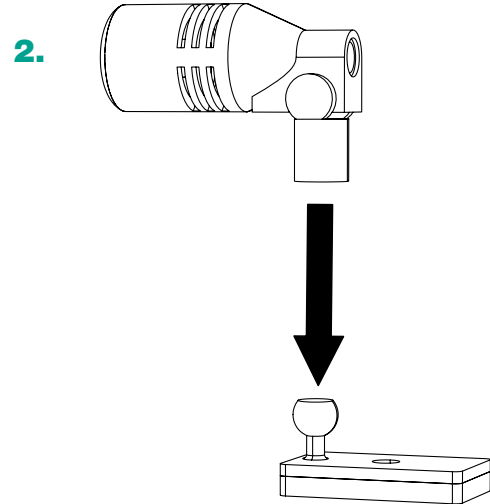
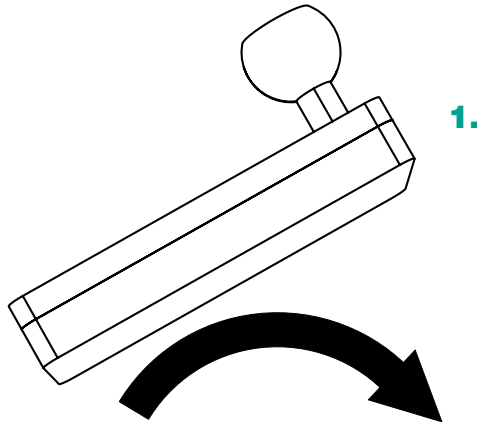
### Microphone Clip-On

Attach the microphone socket to the ball joint of the microphone clip-on,



### Adhesive Microphone Block

1. Remove the adhesive from the flexible microphone paste block and apply the block to the surface to which the microphone will be mounted.
2. Attach the microphone socket to the ball joint of the microphone block.



## **OPERATION**

### **Playback**

Use the **SOURCE** button to choose the input source for the KMC4: Bluetooth, USB, AUX, AM, FM, and WX. Press the **SUB/ZONE** button to change Subwoofer output volume; Hold the **SUB/ZONE** button to change the Zone2 output volume - Zone2 must be enabled in the Device Settings menu.

The KMC4 will automatically enter Bluetooth pairing mode when there is no Bluetooth connection, with the display message "In Pairing Mode". Hold the **FAVORITES** button to manually disconnect from a paired device and re-enter pairing mode. When you begin scanning for devices on your audio device, the KMC4 will identify as "Media Center".

Set favorite presets for your favorite AM, FM, and WX stations by selecting the station, pressing the **FAVORITES** button, selecting the favorite number (1–10) you wish to set, and pressing and holding the **VOLUME KNOB** for 2 seconds.

The KMC4 will automatically switch to USB input when a USB device is connected and detected. KICKER recommends SANDISK drives for the best performance. Drives must be formatted in FAT32 file system. USB hubs are not compatible. High-bit rate files (320kbps) may experience errors. In testing, the KMC4 has been shown to work with some HDD's and other file systems, however, this is *not supported by KICKER!*

### **Hands-Free Calling**

The KMC4 will automatically route incoming calls using the Hands-Free Profile of your bluetooth communication device, allowing you to take the call with the KMC4 and included microphone. The Hands-Free feature may be toggled OFF/ON in the Device Settings menu.

Press the **PLAY/PAUSE** button to answer an incoming call. Press the **FORWARD** button to decline an incoming call or end the current call. The KMC4 will default to using the ringtone on your phone when available and compatible (not all phones are compatible). If your phone's ringtone is not available, included Ringtones can be selected in the Device Settings menu.

## Device Settings

Press & Hold the **MENU** button to enter the Device Settings menu. The available settings are: Beep, Loud, Area, Zone2, Z2 VOL, Hands-Free, Hands-Free VOL, Ringtone, High-Pass Filter, and Dimmer. Use the **VOLUME KNOB** to change the available values for each setting.

*BEEP - select whether the KMC4 responds with beeps*

*LOUD - select ON for a low frequency boost*

*AREA - select North America or Europe*

*Zone2 - toggles Zone 2 output OFF/ON*

*Z2 VOL - change the behavior of Zone 2 volume control:*

*Relative: Zone 2 volume is locked to main volume.*

*Absolute: Zone 2 volume is adjusted independently of main volume*

*Hands-Free - toggles Hands-Free Profile OFF/ON*

*Hands-Free VOL - with Hands-Free enabled, adjusts output of call volume*

*Ringtone - with Hands-Free enabled, select from Ringtones 1–4*

*High-Pass Filter - hi-pass crossover: OFF, 50Hz, 80Hz, 120Hz*

*Dimmer - adjusts screen and button brightness: 1–10*

When Z2 VOL is set to “Relative”, The KMC4 maintains a fixed volume difference between Zone 1 and Zone 2. If either zone reaches minimum (0) or maximum (50) volume, that zone will stay at its limit while the other continues adjusting. Once the volume is changed away from the limit, the system restores the original difference automatically. To adjust the volume difference between Zone 1 and Zone 2, long press the **SUB/ZONE** button.

## Audio Settings

Press the **MENU** button to begin cycling through the Audio Settings menu. The available audio settings are: Bass, Treble, Balance, Fader, and EQ. Use the **VOLUME KNOB** to change the available values for each setting.

*EQ - select between EQ presets: Flat, Classical, Pop, Rock, Off, and Custom*

When Custom EQ is selected, press the **MENU** button to enter custom frequency adjustments for 60Hz, 250Hz, 1kHz, 3kHz, and 8kHz.

## **TROUBLESHOOTING**

If your KMC4 does not appear to be working, check the obvious things first such as blown fuses, poor or incorrect wiring connections etc. If you're using an amplifier, check for incorrect setting of crossover switches and gain controls etc.

**No Power?** ❶ Press the SOURCE/POWER button and make sure the KMC4 is turned on. ❷ Check the +12V power wire, ground wire, and fuse(s) for power and proper connection.

**No or low output?** ❶ Check the Balance and Fader controls on the KMC4. ❷ Check the speaker output connections. ❸ Power cycle the KMC4. ❹ Check the volume of the audio source.

**Reduced volume?** ❶ If using AUX or Bluetooth input, make sure the output volume of the source is turned up. ❷ Reverse a speaker connection from positive to negative on the stereo channel(s); if the volume improves, the speaker was out of phase.

**No audio in phone calls?** ❶ Make sure the microphone is connected. ❷ Make sure Hand-Free is enabled in the KMC4 Device Settings. ❸ Make sure cellular connection and coverages are strong enough to make and receive calls.

**Buttons/Device Unresponsive?** Perform Factory reset.

**Factory reset:** Reset the KMC4 to factory default settings by pressing and holding the **PLAY/PAUSE** button for ten seconds.

**Radio stations not being received?** ❶ Check volume of audio source. ❷ Check the antenna for proper connection and ensure the **AREA** setting in the menu is set to the correct region.

If you have more questions about the installation or operation of your new KICKER product, see the Authorized KICKER Dealer where you made your purchase. Please E-mail [support@kicker.com](mailto:support@kicker.com) or call Technical Services (405) 624-8583 for unanswered or specific questions.

## **ELECTRONICS LIMITED WARRANTY**

When purchased from an Authorized KICKER Dealer, KICKER warrants this product to be free from defects in material and workmanship under normal use for a period of TWO (2) YEARS from date of original purchase with receipt. If this product is identified as "Refurbished" or "B Goods", the warranty is limited to a period of THREE (3) MONTHS from the date of original purchase. In all cases you must have the original receipt. Should service be necessary under this warranty for any reason due to manufacturing defect or malfunction during the warranty period, KICKER will repair or replace (at its discretion) the defective merchandise with equivalent merchandise. Warranty replacements may have cosmetic scratches and blemishes. Discontinued products may be replaced with more current equivalent products. This warranty is valid only for the original purchaser and is not extended to owners of the product subsequent to the original purchaser. Any applicable implied warranties are limited in duration to a period of the express warranty as provided herein beginning with the date of the original purchase at retail, and no warranties, whether express or implied, shall apply to this product thereafter. Some states do not allow limitations on implied warranties; therefore, these exclusions may not apply to you. This warranty gives you specific legal rights; however you may have other rights that vary from state to state.

### **WHAT TO DO IF YOU NEED WARRANTY OR SERVICE:**

Defective merchandise should be returned to your local Authorized Stillwater Designs (KICKER) Dealer for warranty service. Assistance in locating an Authorized Dealer can be found at [www.kicker.com](http://www.kicker.com) or by contacting Stillwater Designs directly. You can confirm that a dealer is authorized by asking to see a current authorized dealer window decal.

If it becomes necessary for you to return defective merchandise directly to Stillwater Designs (KICKER), call the KICKER Customer Service Department at (405) 624-8510 for a Return Merchandise Authorization (RMA) number. Package only the defective items in a package that will prevent shipping damage, and return to:

**Stillwater Designs, 3100 North Husband St, Stillwater, OK 74075**

The RMA number must be clearly marked on the outside of the package. Please return only defective components. The return of functioning items increases your return freight charges. Non-defective items will be returned freight collect to you. For example, if a subwoofer is defective, only return the defective subwoofer, not the entire enclosure. Include a copy of the original receipt with the purchase date clearly visible, and a "proof-of-purchase" statement listing the Customer's name, Dealer's name and invoice number, and product purchased. Warranty expiration on items without proof-of-purchase will be determined from the type of sale and manufacturing date code. Freight must be prepaid; items sent freight-collect, or COD, will be refused.

### **WHAT IS NOT COVERED?**

This warranty is valid only if the product is used for the purpose for which it was designed. It does not cover:

Damage due to improper installation	Freight Damage	Subsequent damage to other components
Speakers damaged due to amplifier clipping or distortion	Return shipping on non-defective items	Service performed by anyone other than KICKER
Any cost or expense related to the removal or reinstallation of product	Products with tampered or missing barcode labels	Products with tampered or missing serial numbers
Products returned without a Return Merchandise Authorization (RMA) number	Products purchased from an UNAUTHORIZED dealer	The cost of shipping product to KICKER
Items previously repaired or modified by any unauthorized repair facility		
Damage caused by exposure to moisture, excessive heat, chemical cleaners, and/or UV radiation		
Damage through negligence, misuse, accident or abuse. Repeated returns for the same damage may be considered abuse		

### **HOW LONG WILL IT TAKE?**

KICKER strives to maintain a goal of one week turnaround for all electronics (amplifiers, crossovers, equalizers, etc.) returns. Delays may be incurred if lack of replacement inventory or parts is encountered. Failure to follow these steps may void your warranty. Any questions can be directed to the KICKER Customer Service Department at (405) 624-8510. Contact your International KICKER dealer or distributor concerning specific procedures for your country's warranty policies.



## **INTERNATIONAL WARRANTY**

Contact your International Kicker dealer or distributor concerning specific procedures for your country's warranty policies.

Our goods come with guarantees that cannot be excluded under the **Australian Consumer Law**. You are entitled to a replacement or refund for a major failure and for compensation for any other reasonably foreseeable loss or damage. You are also entitled to have the goods repaired or replaced if the goods fail to be of acceptable quality and the failure does not amount to a major failure.

### **GARANTÍA INTERNACIONAL** *Versión Español*

Comuníquese con su concesionario o distribuidor Kicker internacional para obtener información sobre procedimientos específicos relacionados con las normas de garantía de su país.

**ADVERTENCIA:** Los excitadores Kicker son capaces de producir niveles de sonido que pueden dañar permanentemente el oído. Subir el volumen del sistema hasta un nivel que produzca distorsión es más dañino para el oído que escuchar un sistema sin distorsión al mismo volumen. El dolor es siempre una indicación de que el sonido es muy fuerte y que puede dañar permanentemente el oído. Sea precavido cuando controle el volumen.

La frase "combustible para vivir la vida Livin' Loud™ a todo volumen" se refiere al entusiasmo por la vida que la marca Kicker de estéreos de automóvil representa y a la recomendación a nuestros clientes de que vivan lo mejor posible ("a todo volumen") en todo sentido. La línea de altavoces y amplificadores Kicker es la mejor del mercado de audio de automóviles y por lo tanto representa el "combustible" para vivir a todo volumen en el área de "estéreos de automóvil" de la vida de nuestros clientes. Recomendamos a todos nuestros clientes que obedezcan todas las reglas y reglamentos locales sobre ruido en cuanto a los niveles legales y apropiados de audición fuera del vehículo.

### **INTERNATIONALE GARANTIE** *Deutsche Version*

Nehmen Sie mit Ihren internationalen Kicker-Fachhändler oder Vertrieb Kontakt auf, um Details über die Garantieleistungen in Ihrem Land zu erfahren.

**WARNUNG:** KICKER-Treiber können einen Schallpegel erzeugen, der zu permanenten Gehörschäden führen kann! Wenn Sie ein System auf einen Pegel stellen, der hörbare Verzerrungen erzeugt, schadet das Ihren Ohren mehr, als ein nicht verzerrtes System auf dem gleichen Lautstärkepegel. Die Schmerzschwelle ist immer eine Anzeige dafür, dass der Schallpegel zu laut ist und zu permanenten Gehörschäden führen kann. Seien Sie bei der Lautstärkeinstellung bitte vernünftig!

Der Slogan "Treibstoff für Livin' Loud" bezieht sich auf die mit den Kicker-Autostereosystemen assoziierte Lebensfreude und die Tatsache, dass wir unsere Kunden ermutigen, in allen Aspekten ihres Lebens nach dem Besten ("Livin' Loud") zu streben. Die Lautsprecher und Verstärker von Kicker sind auf dem Markt für Auto-Soundsysteme führend und stellen somit den "Treibstoff" für das Autostereoerlebnis unserer Kunden dar. Wir empfehlen allen unseren Kunden, sich bezüglich der zugelassenen und passenden Lautstärkepegel außerhalb des Autos an die örtlichen Lärmvorschriften zu halten.

### **GARANTIE INTERNATIONALE** *Version Française*

Pour connaître les procédures propres à la politique de garantie de votre pays, contactez votre revendeur ou distributeur International Kicker.

**AVERTISSEMENT:** Les haut-parleurs Kicker ont la capacité de produire des niveaux sonores pouvant endommager l'ouïe de façon irréversible ! L'augmentation du volume d'un système jusqu'à un niveau présentant une distorsion audible endommage davantage l'ouïe que l'écoute d'un système sans distorsion au même volume. Le seuil de la douleur est toujours le signe que le niveau sonore est trop élevé et risque d'endommager l'ouïe de façon irréversible. Réglez le volume en faisant preuve de bon sens !

L'expression "carburant pour vivre plein pot" fait référence au dynamisme de la marque Kicker d'équipements audio pour véhicules et a pour but d'encourager nos clients à faire le maximum ("vivre plein pot") dans tous les aspects de leur vie. Les haut-parleurs et amplificateurs Kicker sont les meilleurs dans le domaine des équipements audio et représentent donc pour nos clients le "carburant pour vivre plein pot" dans l'aspect "installation audio de véhicule" de leur vie. Nous encourageons tous nos clients à respecter toutes les lois et réglementations locales relatives aux niveaux sonores acceptables à l'extérieur des véhicules.



