

KICKER®

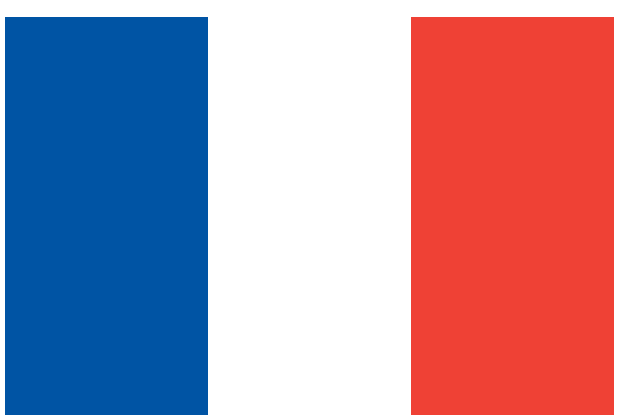
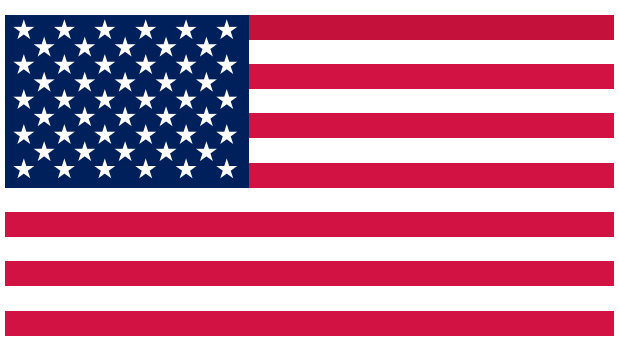
Owner's Manual
Manual del Propietario
Manuel d'utilisatio
Benutzerhandbuch

KS COAX SPEAKERS

Altavoz Coax KS

KS Koax-System

Haut-parleurs Coaxiaux KS



Contents

Overview	3
Specifications	4
Installation	5
Wiring	5
Mounting	8
Warranty	12

Overview

IMPORTANT SAFETY WARNING

PROLONGED CONTINUOUS OPERATION OF AN AMPLIFIER, SPEAKER, OR SUBWOOFER IN A DISTORTED, CLIPPED OR OVER-POWERED MANNER CAN CAUSE YOUR AUDIO SYSTEM TO OVERHEAT, POSSIBLY CATCHING FIRE AND RESULTING IN SERIOUS DAMAGE TO YOUR COMPONENTS AND/OR VEHICLE. AMPLIFIERS REQUIRE UP TO 4 INCHES (10CM) OPEN VENTILATION. SUBWOOFERS SHOULD BE MOUNTED WITH AT LEAST 1 INCH (2.5CM) CLEARANCE BETWEEN THE FRONT OF THE SPEAKER AND ANY SURFACE. KICKER PRODUCTS ARE CAPABLE OF PRODUCING SOUND LEVELS THAT CAN PERMANENTLY DAMAGE YOUR HEARING! TURNING UP A SYSTEM TO A LEVEL THAT HAS AUDIBLE DISTORTION IS MORE DAMAGING TO YOUR EARS THAN LISTENING TO AN UNDISTORTED SYSTEM AT THE SAME VOLUME LEVEL. THE THRESHOLD OF PAIN IS ALWAYS AN INDICATOR THAT THE SOUND LEVEL IS TOO LOUD AND MAY PERMANENTLY DAMAGE YOUR HEARING. PLEASE USE COMMON SENSE WHEN CONTROLLING VOLUME.

The KICKER KS speakers offer an excellent upgrade to your vehicle's factory sound system, delivering great full-range sound at an amazing value! Whether dropping the KS speakers in a factory location or customizing your install, their high-efficiency design means less power is needed to play your music, while our use of advanced materials and construction techniques ensures optimal performance for years to come. Designed for versatile applications without sacrificing sound quality or aesthetics, we hope you have the chance to combine these new, upgraded audiophile components with our all-new KEY Smart Amplifiers and a KICKER sub for an audio experience you won't forget!

Specifications

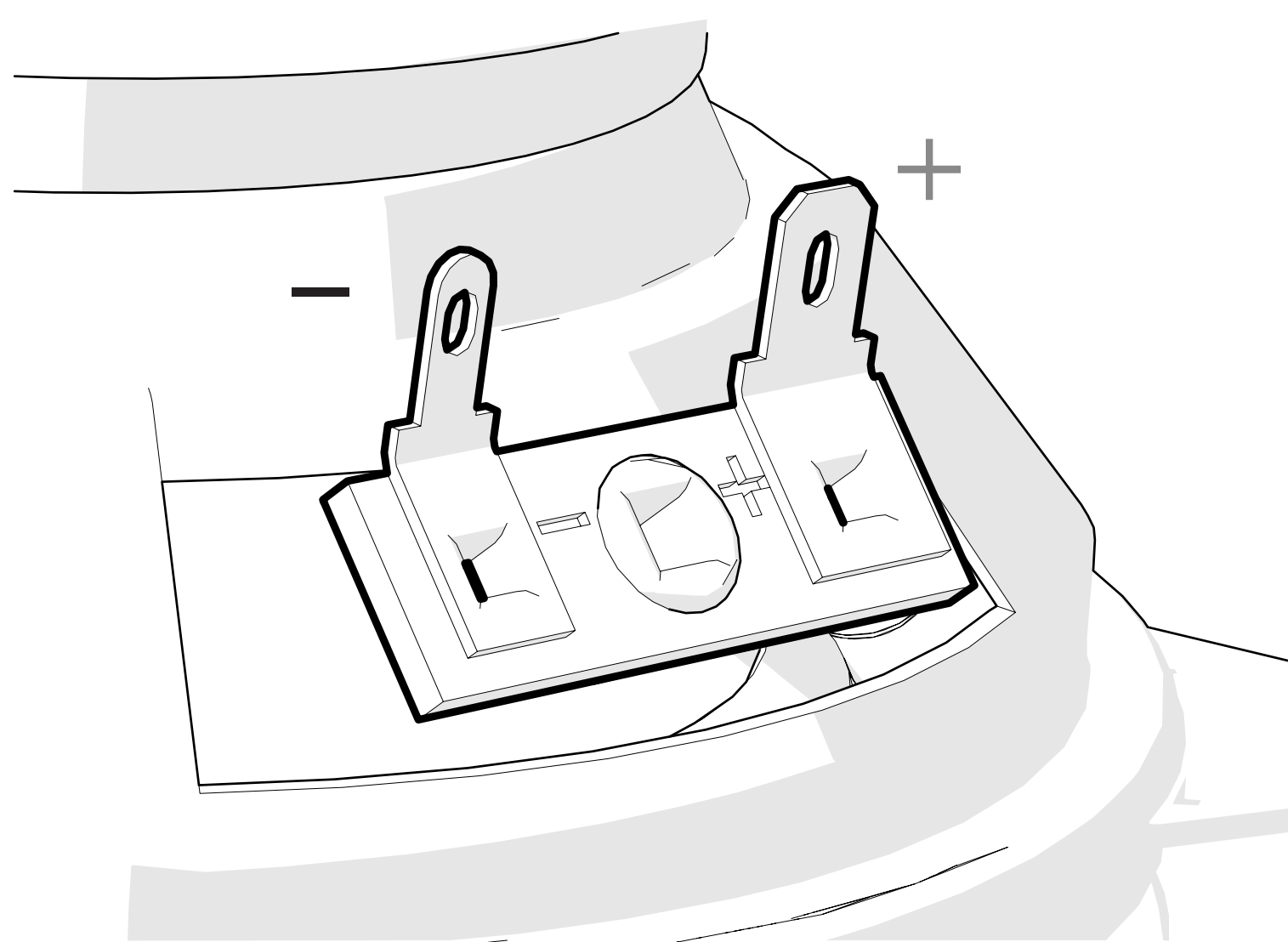
Model:	KSC270	KSC350	KSC40	KSC460	KSC4100	KSC50
Speaker Design	1 - Way	2 - Way	2 - Way	2 - Way	2 - Way	2 - Way
Woofer [in, mm]	2-3/4, 70	3-1/2, 89	4, 100	4x6, 100x160	4x10, 100x250	5-1/4, 130
Mid [in, mm]	–	–	–	–	–	–
Tweeter [in, mm]	–	1/2, 13	1/2, 13	1/2, 13	1/2, 13	3/4, 20
Rated Impedance [Ω]	4	4	4	4	4	4
Peak Power Handling [Watts]	100	100	150	150	150	150
Recommended Amplifier Power [Watts RMS]	15-50	15-50	15-75	15-75	15-75	15-75
Sensitivity [1W, 1m]	85	88	88	88	88	90
Frequency Response [Hz]	300-20k	80–20k	60–20k	50–20k	45–20k	45–21k
Mounting Hole Diameter [in, mm]	2-3/8, 61	3-1/16, 78	3-11/16, 94	4x5-5/16, 101x151	3-7/8x9-3/8, 99x238	4-1/2, 115
Top Mount Depth [in, mm]	1-1/4, 32	1-5/8, 42	1-13/16, 46	1-11/16, 44	2-3/8, 61	1-3/4, 45
Bottom Mount Depth [in, mm]	–	1-7/8, 49	2-1/16, 51	2, 51	2-13/16, 71	2, 52
Tweeter Protrusion [in, mm]	0	1/16, 2	0	1/16, 2	0	0
Grilles	No	No	No	No	No	Yes (sold separately)
Tweeter Magnet Material	–	Neodymium	Neodymium	Neodymium	Neodymium	Neodymium
Tweeter Dome Material	–	Silk	Silk	Silk	Silk	Silk
Tweeter Design	–	Balanced dome	Balanced dome	Balanced dome	Balanced dome	Dome
Woofer Cone Material	Composite Paper	Polypropylene	Polypropylene	Polypropylene	Polypropylene	Polypropylene
Woofer Surround Material	UV Treated Cloth	Rubber	Rubber	Rubber	Rubber	Rubber

Model:	KSC650	KSC670	KSC680	KSC690	KSC6930
Speaker Design	2 - Way	2 - Way	2 - Way	2 - Way	3 - Way
Woofer [in, mm]	6-1/2, 160	6-3/4, 165	6x8, 160x200	6x9, 160x230	6x9, 160x230
Mid [in, mm]	–	–	–	–	1, 25
Tweeter [in, mm]	3/4, 20	3/4, 20	3/4, 20	1, 25	3/4, 20
Rated Impedance [Ω]	4	4	4	4	4
Peak Power Handling [Watts]	200	200	150	300	300
Recommended Amplifier Power [Watts RMS]	15-100	15-100	15-75	15-150	15-150
Sensitivity [1W, 1m]	90	90	90	92	92
Frequency Response [Hz]	43–21k	40–21k	45–21k	30–21k	30–21k
Mounting Hole Diameter [in, mm]	4-13/16, 123	5-9/16, 141	5x7-3/16, 127x182	5-11/16x8-7/16, 144x215	5-11/16x8-7/16, 144x215
Top Mount Depth [in, mm]	1-13/16, 46	1-13/16, 46	2-1/4, 58	3-3/16, 81	3-1/8, 80
Bottom Mount Depth [in, mm]	2-3/16, 54	2, 50	2-5/8, 67	3-11/16, 93	3-5/8, 92
Tweeter Protrusion [in, mm]	0	0	1/16, 2	0	0
Grilles	Yes	Yes	No	Yes	Yes
Tweeter Magnet Material	Neodymium	Neodymium	Neodymium	Neodymium	Neodymium
Tweeter Dome Material	Silk	Silk	Silk	Silk	Silk
Tweeter Design	Dome	Dome	Dome	Dome	Dome
Woofer Cone Material	Polypropylene	Polypropylene	Polypropylene	Polypropylene	Polypropylene
Woofer Surround Material	Rubber	Rubber	Rubber	Rubber	Rubber

Installation

Wiring

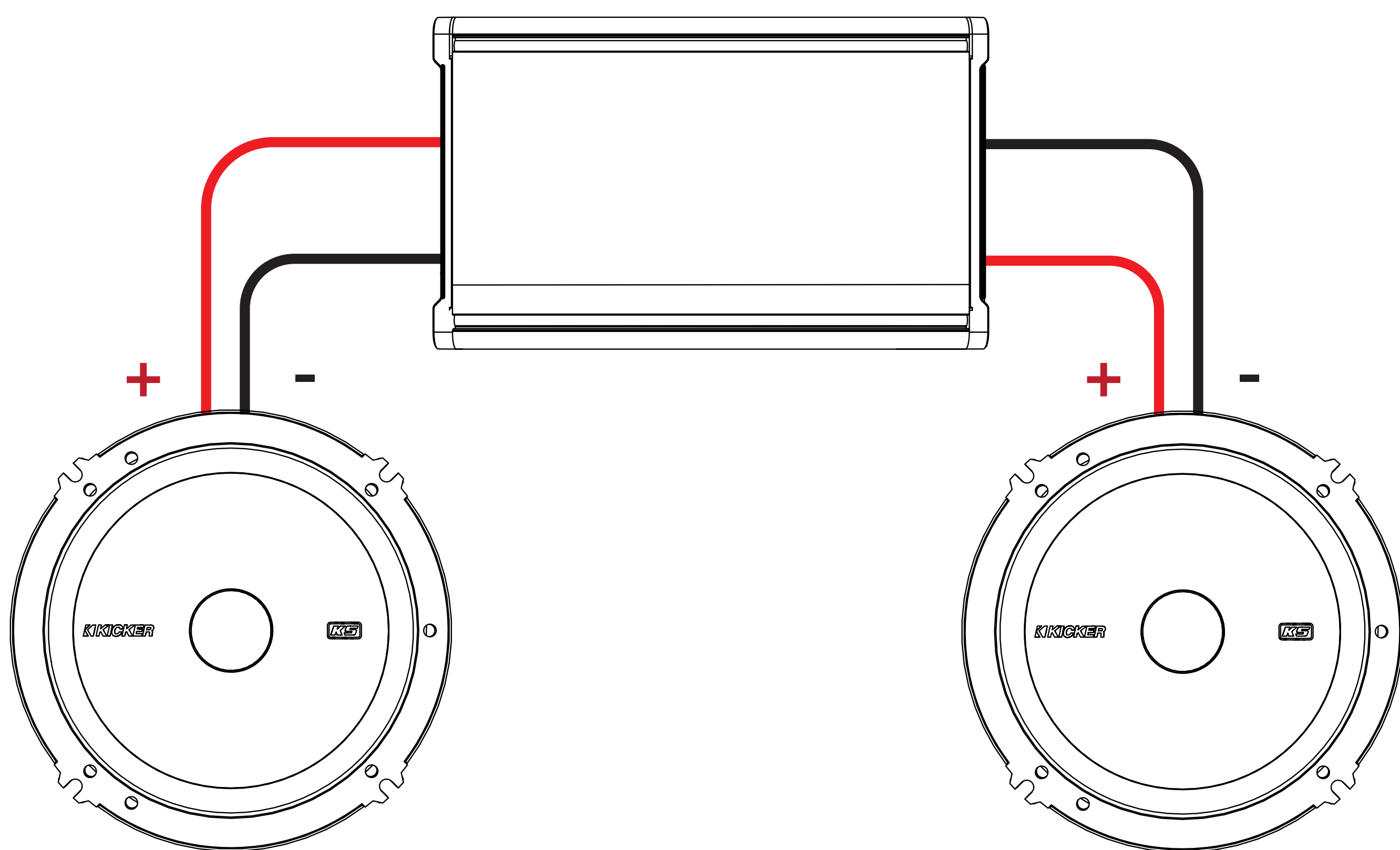
We recommend using 16 gauge (or larger) wire. The KS Speakers are rated at 4 ohms and work with any source unit or amplifier designed to operate at a 4 ohm load. **Make sure your source unit or amplifier is rated for 4 ohm operation.**



Connect wiring to terminals

STANDARD STEREO WIRING

minimum impedance of 4 ohms per channel

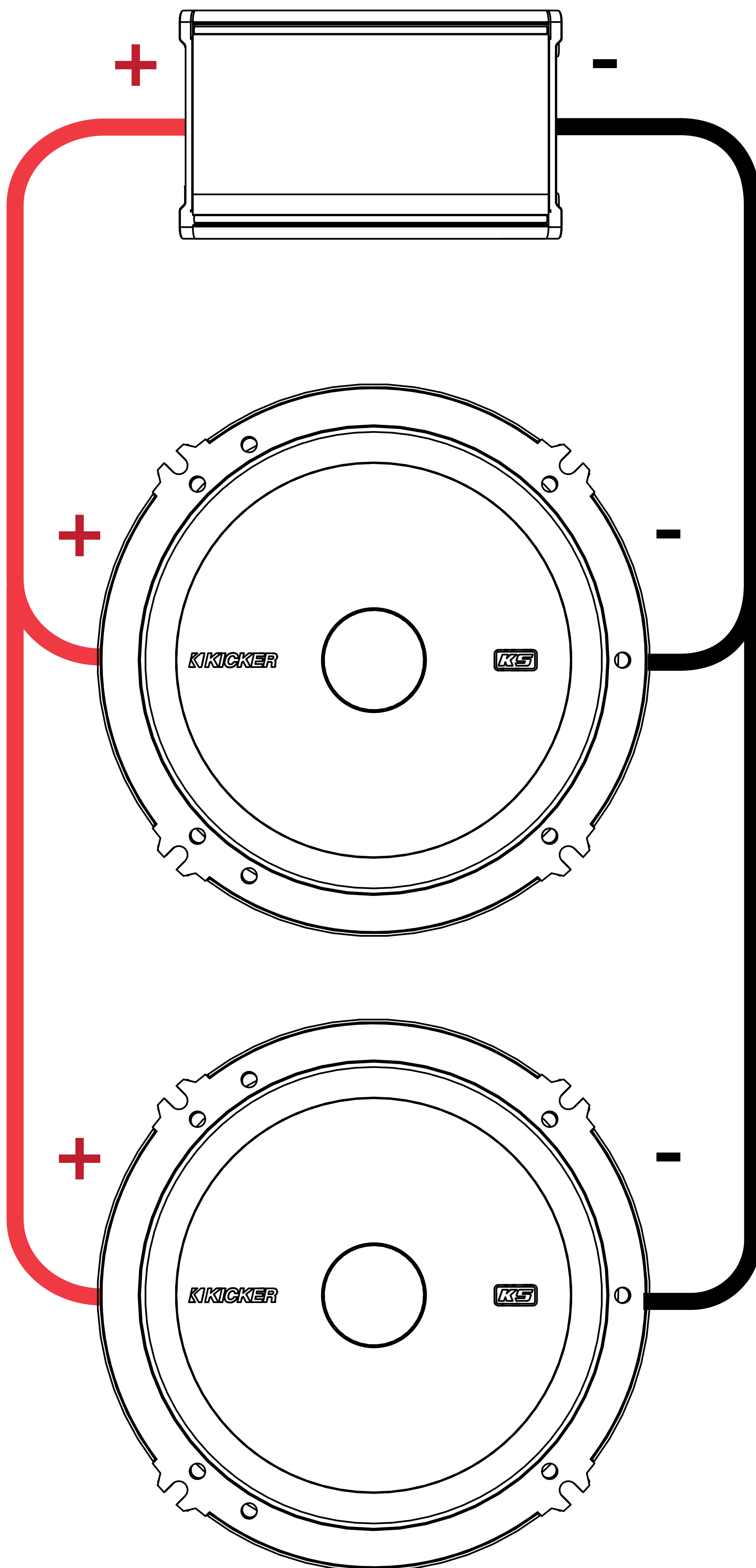


PARALLEL WIRING

Two KS Speakers wired in parallel to a single channel

Total Impedance: 2 ohms

At least two amplifier channels are needed for stereo operation (only one channel is shown)

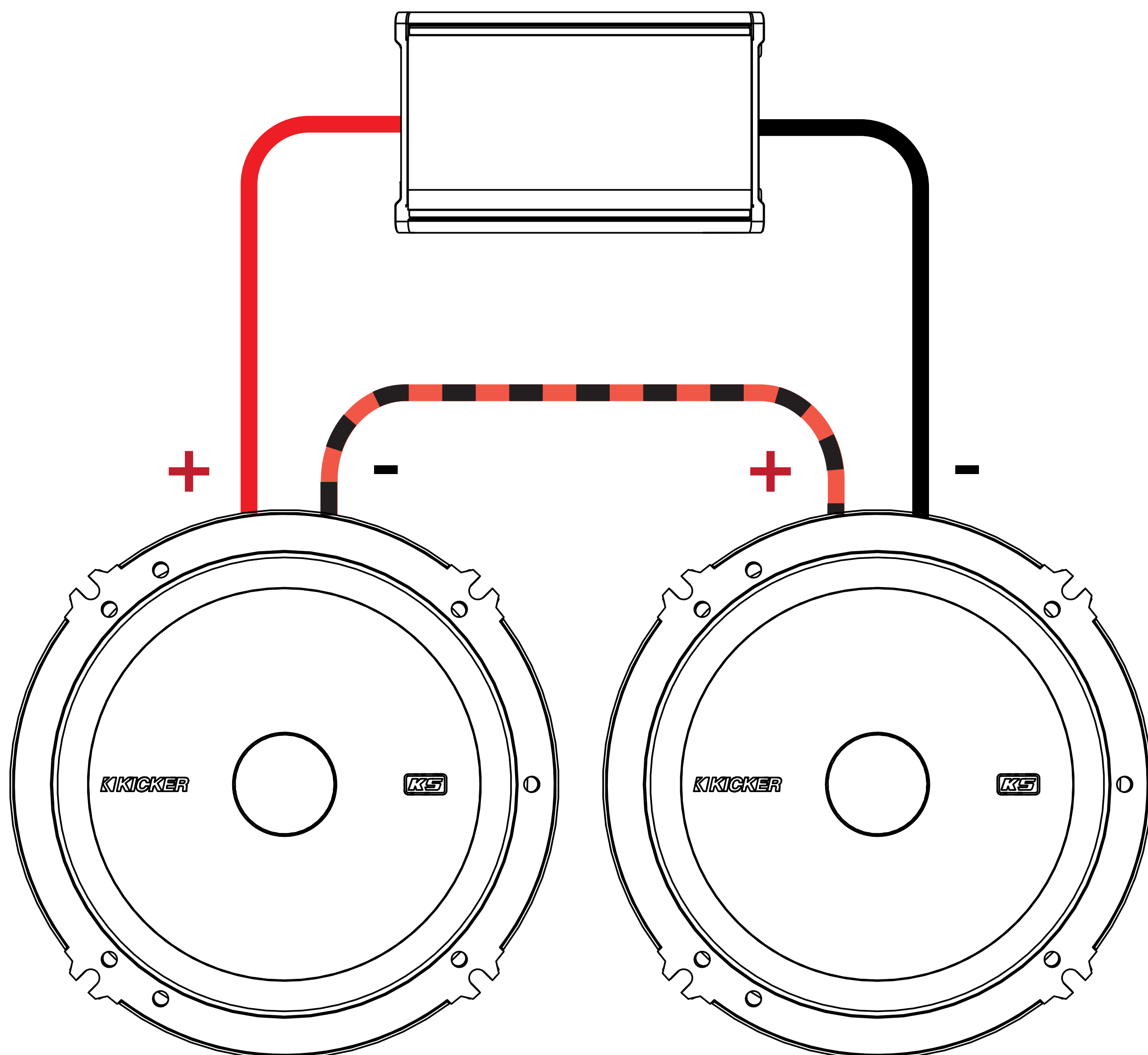


SERIES WIRING

Two KS Speakers wired in series to a single channel

Total Impedance: 8 ohms

At least two amplifier channels are needed for stereo operation (only one channel is shown)



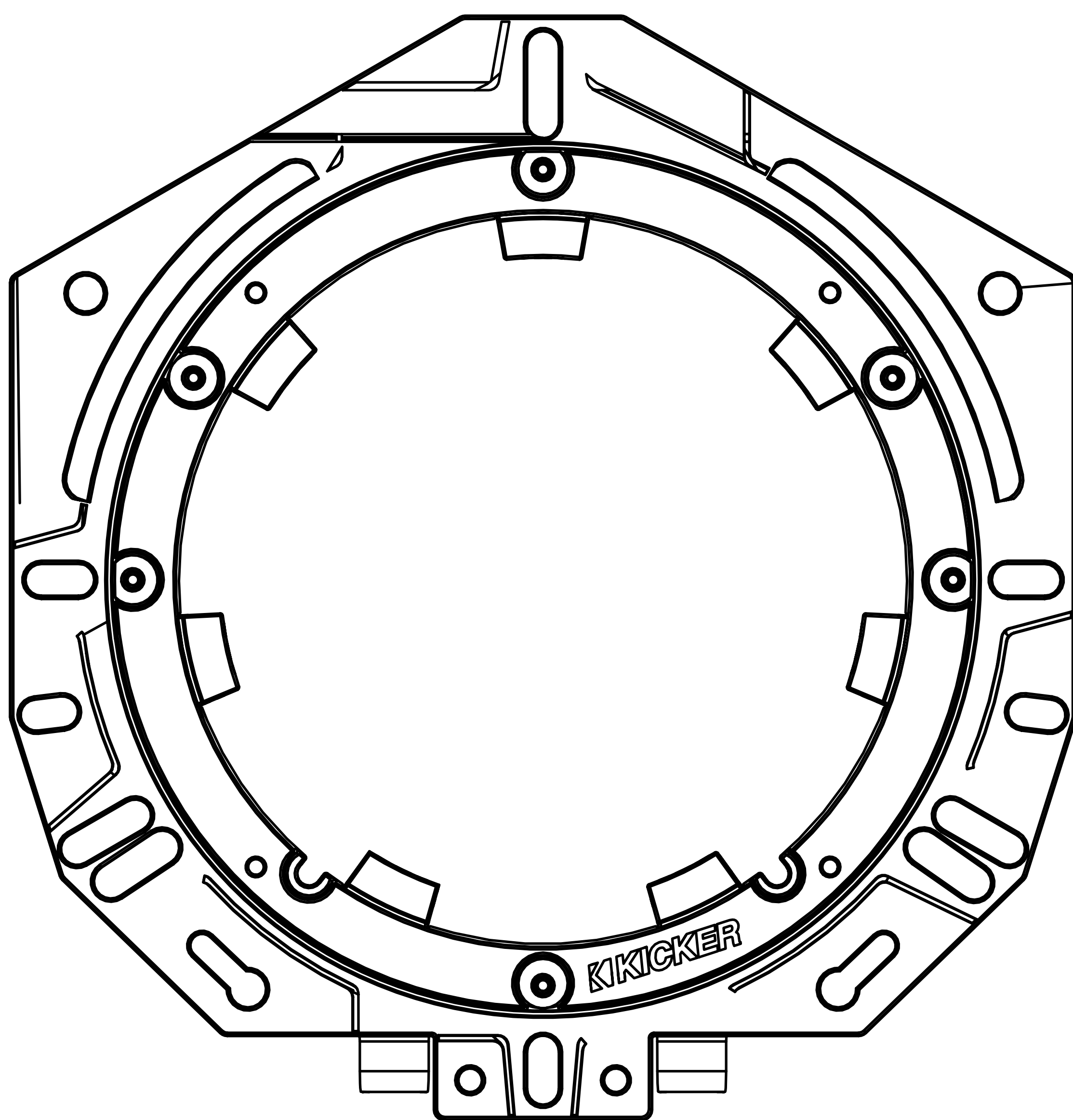
Mounting

The KICKER KSC speakers are designed for free-air applications and do not require a sealed enclosure for optimum performance. It is important to isolate the sound coming from the front of the speaker from the sound radiating from the back of the speaker. This is most easily accomplished by mounting the speakers in a vehicle's factory locations or in a location with a semi-isolated rear chamber (like the rear deck of a car behind the rear seats).

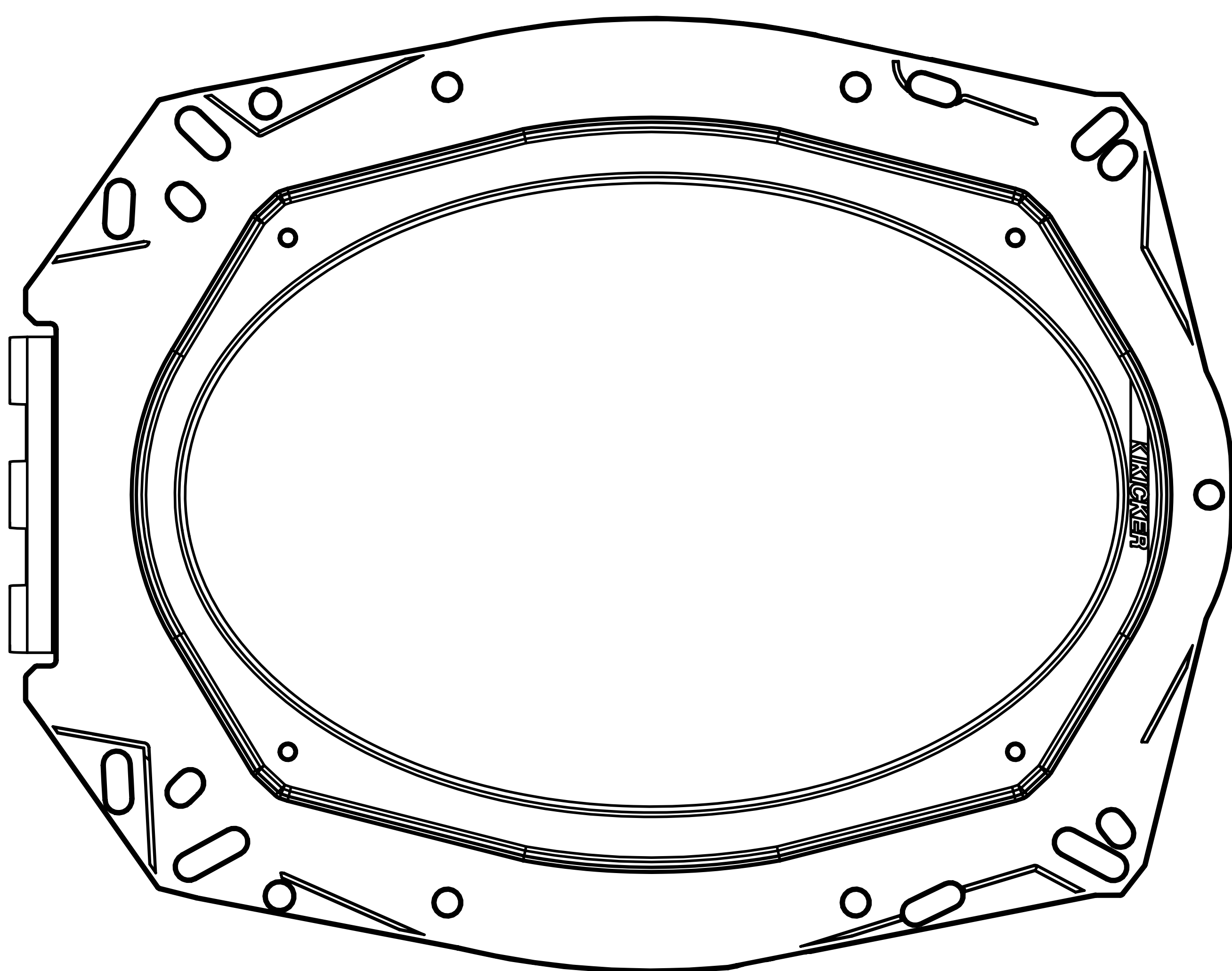
If you are replacing factory speakers in their original locations with the KSC65, KSC67 or KSC69, you may need to use the included multi-purpose adapter, or modify it as such that it will fit your required screw patterns. You may also need to enlarge the speaker cut-outs and pre-drill new screw holes using a 7/64" (2.5mm) bit. Custom mounting locations will require more preparation and work. Make sure that the speaker will not interfere with trunk and door opening and closing mechanisms and that the enclosed screws will not puncture the fuel tank, puncture wiring, or interfere with any other mechanical parts on the underside of the mounting surface. Cycle the windows all the way down and up.

These multi-bracket adapters will help accommodate the KS speakers in factory or custom locations. You may need to cut off parts or otherwise modify these adapters to fit your vehicle or application.

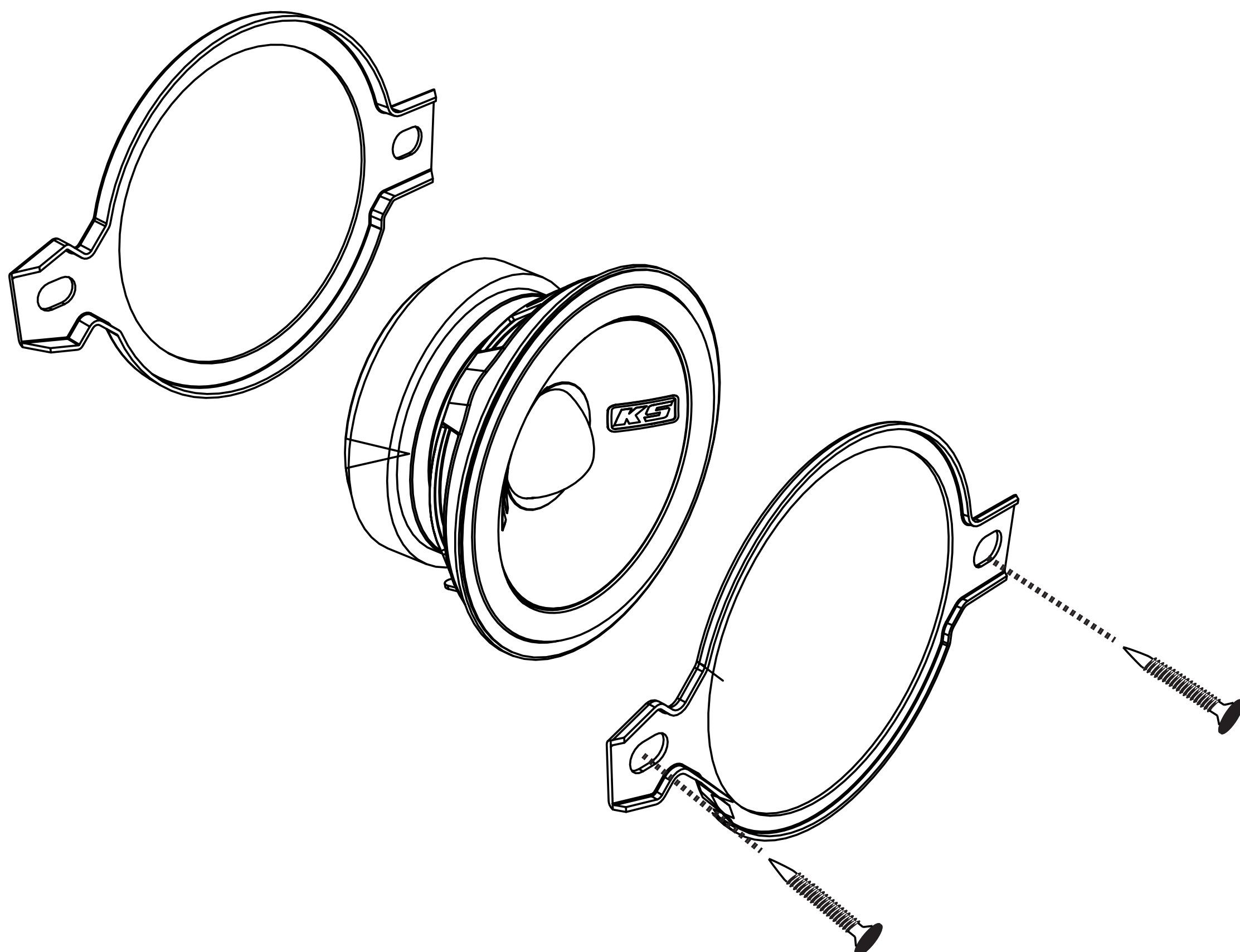
KS65/KS67 ADAPTER



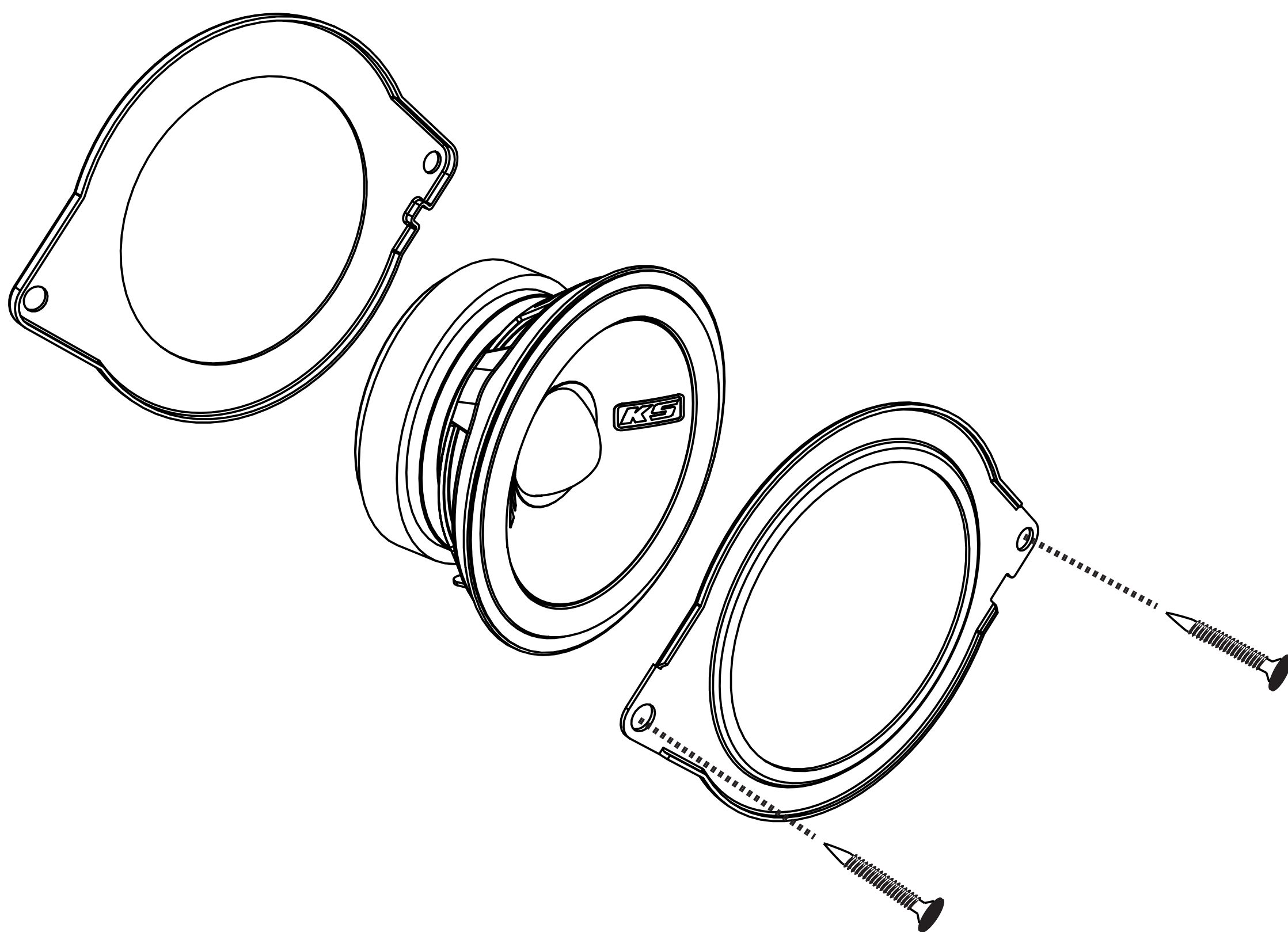
KS69 ADAPTER



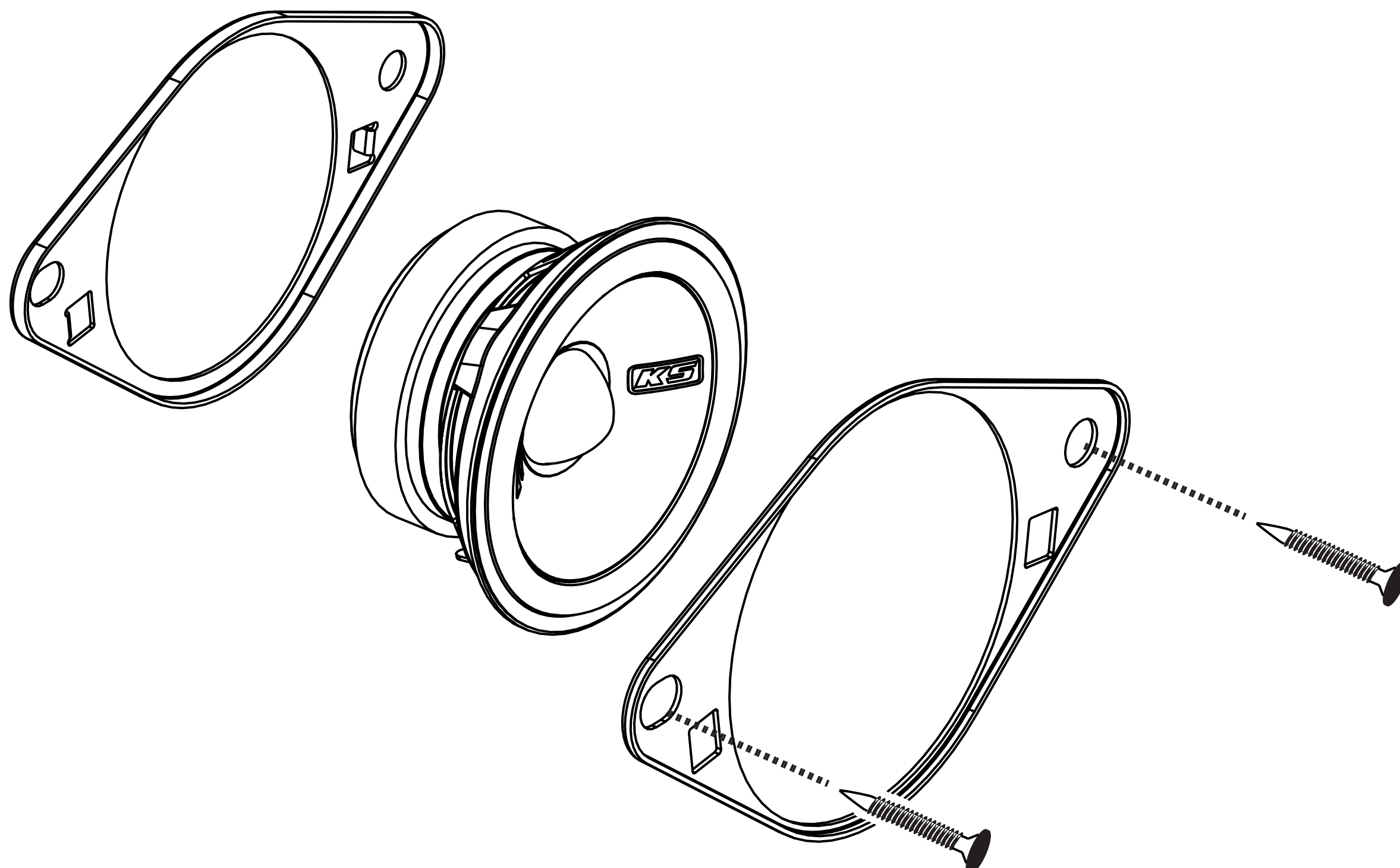
KS270 ADAPTER - GM/CHRYSLER



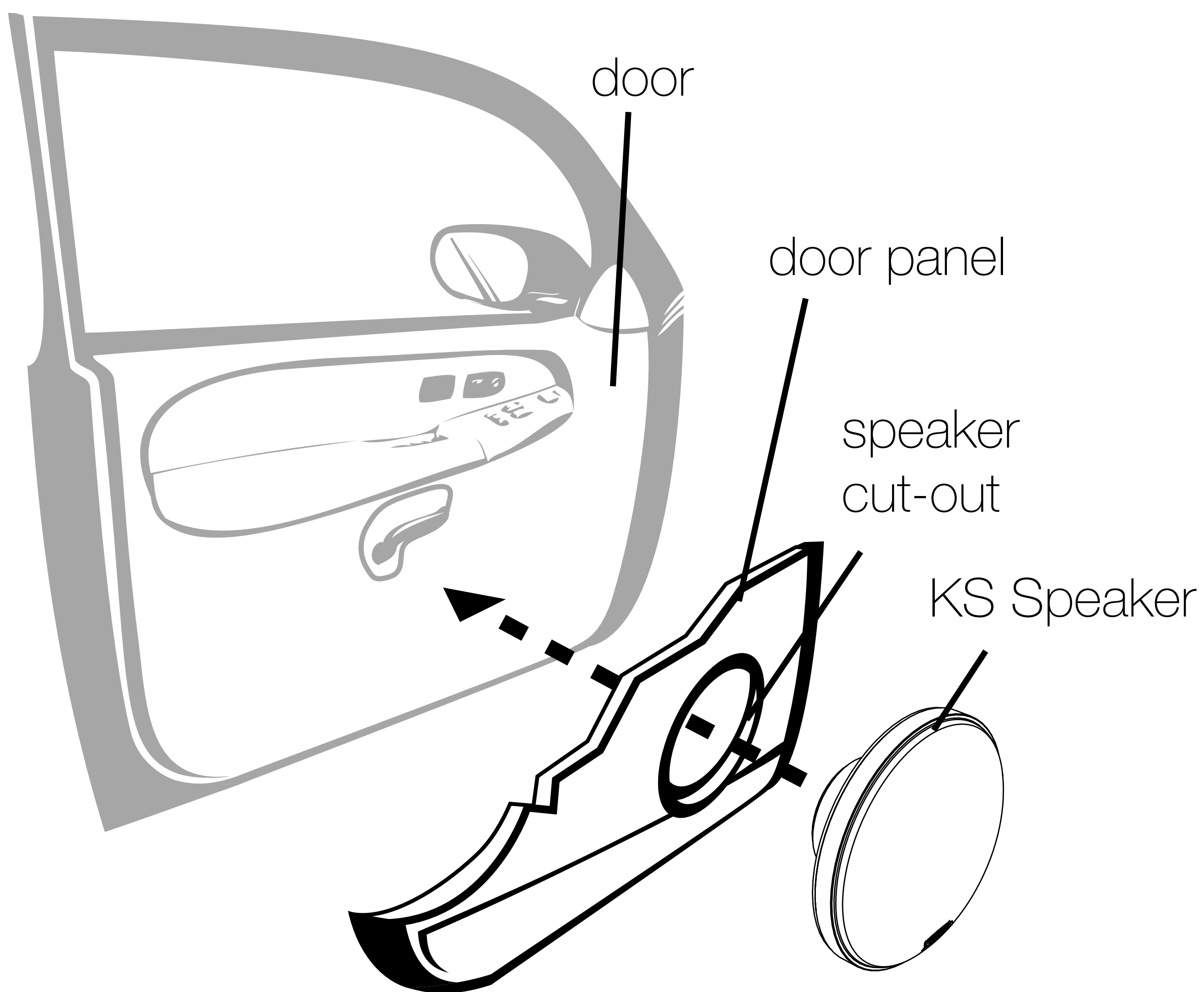
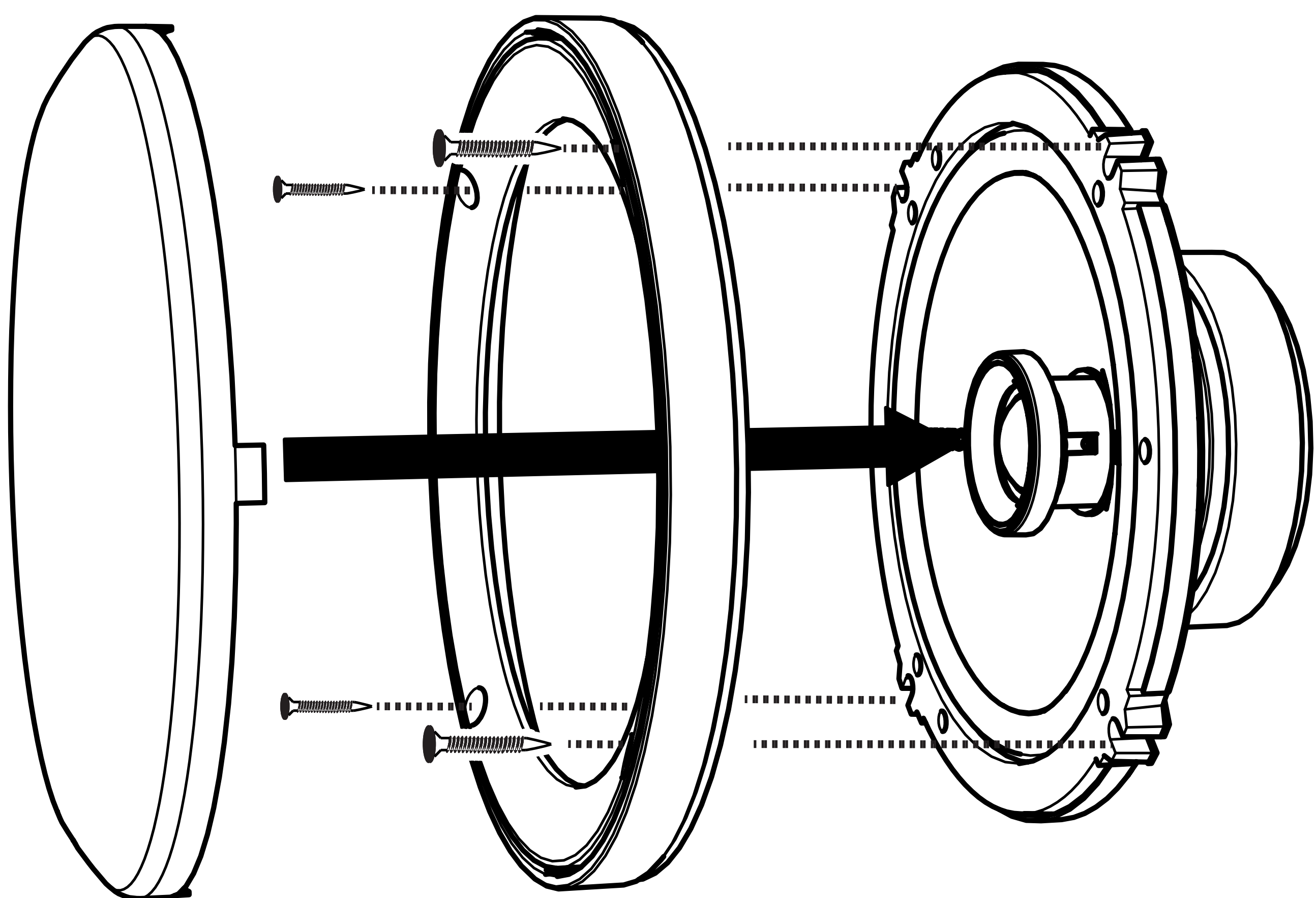
KS270 ADAPTER - CHRYSLER/JEEP



KS270 ADAPTER - TOYOTA/SUBARU



Secure speaker to desired location



Warranty

When purchased from an Authorized KICKER Dealer, KICKER warrants this product to be free from defects in material and workmanship under normal use for a period of TWO (2) YEARS from date of original purchase with receipt. If this product is identified as “Refurbished” or “B Goods”, the warranty is limited to a period of THREE (3) MONTHS from the date of original purchase. In all cases you must have the original receipt. Should service be necessary under this warranty for any reason due to manufacturing defect or malfunction during the warranty period, KICKER will repair or replace (at its discretion) the defective merchandise with equivalent merchandise. Warranty replacements may have cosmetic scratches and blemishes. Discontinued products may be replaced with more current equivalent products. This warranty is valid only for the original purchaser and is not extended to owners of the product subsequent to the original purchaser. Any applicable implied warranties are limited in duration to a period of the express warranty as provided herein beginning with the date of the original purchase at retail, and no warranties, whether express or implied, shall apply to this product thereafter. Some states do not allow limitations on implied warranties; therefore, these exclusions may not apply to you. This warranty gives you specific legal rights; however you may have other rights that vary from state to state.

WHAT TO DO IF YOU NEED WARRANTY OR SERVICE:

Defective merchandise should be returned to your local Authorized Stillwater Designs (KICKER) Dealer for warranty service. Assistance in locating an Authorized Dealer can be found at www.KICKER.com or by contacting Stillwater Designs directly. You can confirm that a dealer is authorized by asking to see a current authorized dealer window decal.

If it becomes necessary for you to return defective merchandise directly to Stillwater Designs (KICKER), call the KICKER Customer Service Department at (405) 624-8510 for a Return Merchandise Authorization (RMA) number. Package only the defective items in a package that will prevent shipping damage, and return to:

Stillwater Designs, 3100 North Husband St, Stillwater, OK 74075

The RMA number must be clearly marked on the outside of the package. Please return only defective components. The return of functioning items increases your return freight charges. Non-defective items will be returned freight collect to you. For example, if a subwoofer is defective, only return the defective subwoofer, not the entire enclosure. Include a copy of the original receipt with the purchase date clearly visible, and a “proof-of-purchase” statement listing the Customer’s name, Dealer’s name and invoice number, and product purchased. Warranty expiration on items without proof-of-purchase will be determined from the type of sale and manufacturing date code. Freight must be prepaid; items sent freight-collect, or COD, will be refused.

WHAT IS NOT COVERED?

This warranty is valid only if the product is used for the purpose for which it was designed. It does not cover:

- o Damage due to improper installation
- o Subsequent damage to other components
- o Damage caused by exposure to moisture, excessive heat, chemical cleaners, and/or UV radiation
- o Damage through negligence, misuse, accident or abuse. Repeated returns for the same damage may be considered abuse
- o Any cost or expense related to the removal or reinstallation of product
- o Speakers damaged due to amplifier clipping or distortion
- o Items previously repaired or modified by any unauthorized repair facility
- o Return shipping on non-defective items
- o Products with tampered or missing barcode labels
- o Products with tampered or missing serial numbers
- o Products returned without a Return Merchandise Authorization (RMA) number
- o Products purchased from an UNAUTHORIZED dealer
- o Freight Damage
- o The cost of shipping product to KICKER
- o Service performed by anyone other than KICKER

HOW LONG WILL IT TAKE?

KICKER strives to maintain a goal of one-week service for all acoustics (subwoofers, midrange drivers, tweeters, crossovers, etc) returns. Delays may be incurred if lack of replacement inventory or parts is encountered. Failure to follow these steps may void your warranty. Any questions can be directed to the KICKER Customer Service Department at (405) 624-8510. Contact your International KICKER dealer or distributor concerning specific procedures for your country’s warranty policies.

Resumen	15
Especificaciones	16
Instalación	17
Cableado	17
Montaje.....	20

Resumen

ADVERTENCIA IMPORTANTE DE SEGURIDAD: LA OPERACIÓN PROLONGADA Y CONTINUA DE UN AMPLIFICADOR DE MANERA DISTORSIONADA O CORTADA PUEDE PROVOCAR QUE SU SISTEMA DE AUDIO SE SOBRECALIENTE CON LA POSIBILIDAD DE INCENDIARSE Y PROVOCAR DAÑOS GRAVES A SUS COMPONENTES O VEHÍCULO. ¡LOS PRODUCTOS KICKER PUEDEN PRODUCIR NIVELES DE SONIDO QUE PUEDEN DAÑAR PERMANENTEMENTE SU OÍDO! SUBIR EL VOLUMEN DE UN SISTEMA A UN NIVEL EN EL CUAL SE ESCUCHA UNA DISTORSIÓN ES MÁS DAÑINO PARA SUS OÍDOS QUE ESCUCHAR UN SISTEMA SIN DISTORSIÓN AL MISMO NIVEL DE VOLUMEN. EL UMBRAL DEL DOLOR ES SIEMPRE UN INDICADOR DE QUE EL NIVEL DEL SONIDO ES MUY ALTO Y PUEDE DAÑAR PERMANENTEMENTE SU AUDICIÓN. USE EL SENTIDO COMÚN AL CONTROLAR EL VOLUMEN. LOS EXCITADORES KICKER SON CAPACES DE PRODUCIR NIVELES DE SONIDO QUE PUEDEN DAÑAR PERMANENTEMENTE EL OÍDO. SUBIR EL VOLUMEN DEL SISTEMA HASTA UN NIVEL QUE PRODUZCA DISTORSIÓN ES MÁS DAÑINO PARA EL OÍDO QUE ESCUCHAR UN SISTEMA SIN DISTORSIÓN AL MISMO VOLUMEN. EL DOLOR ES SIEMPRE UNA INDICACIÓN DE QUE EL SONIDO ES MUY FUERTE Y QUE PUEDE DAÑAR PERMANENTEMENTE EL OÍDO. SEA PRECAVIDO CUANDO CONTROLE EL VOLUMEN.

Los sistemas de Coaxes de la serie KS de KICKER ofrecen una fidelidad de audio inigualable para aplicaciones para vehículos. Ya sea para configurar el último sistema de sonido envolvente con altavoces múltiples y subwoofer o simplemente para mejorar la versión de parlantes aburridos y sin vida de fábrica, los sistemas de Coaxes KS brindan el sonido de gama completa más placentero del mercado en la actualidad! Esperamos que tenga la oportunidad de combinar estos nuevos y mejorados componentes de audio con nuestros amplificadores Key Smart totalmente nuevos y un auxiliar KICKER ¡para una experiencia de audio inolvidable!

Especificaciones

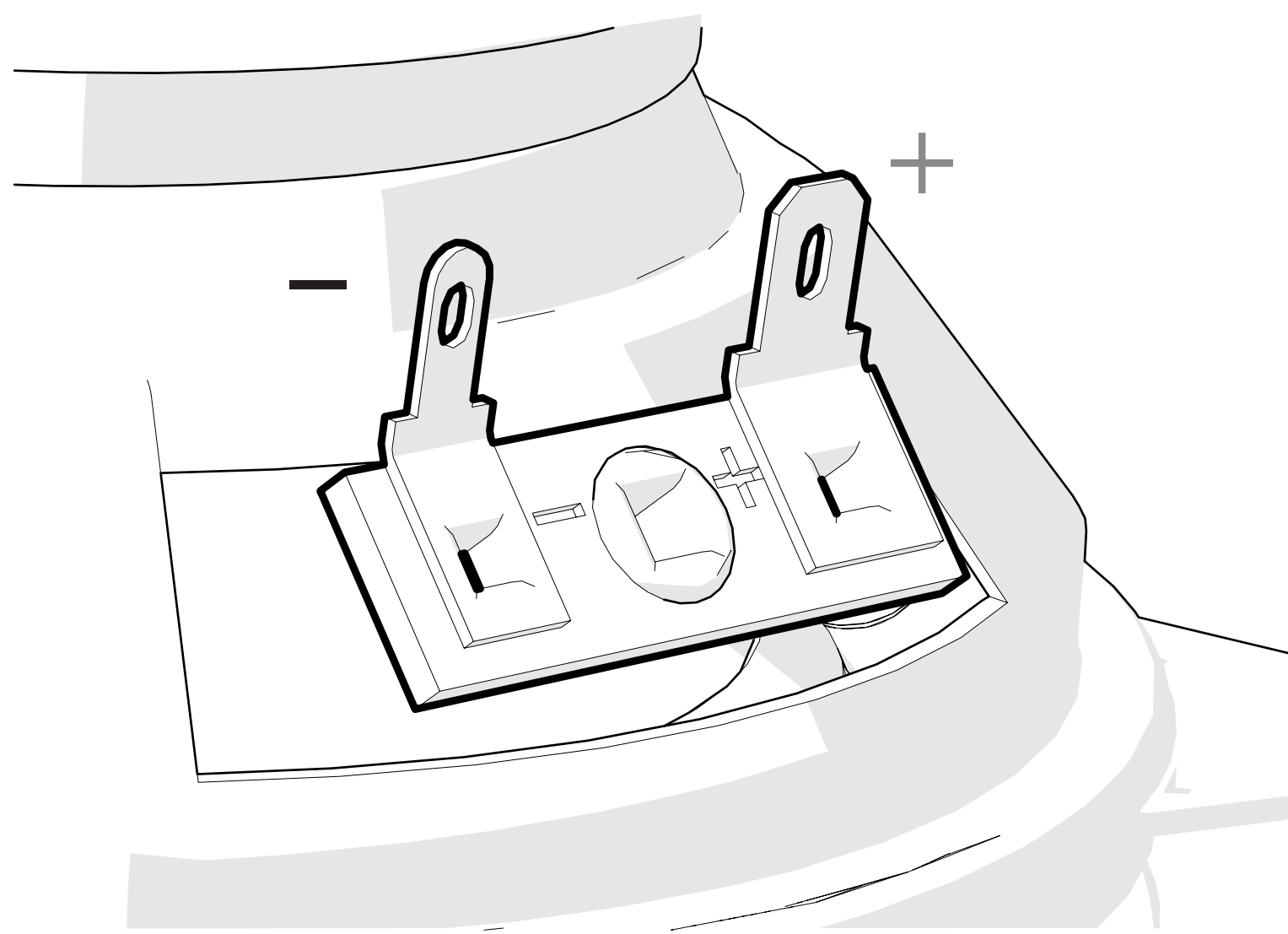
Modelo:	KSC270	KSC350	KSC40	KSC460	KSC4100	KSC50
Diseño del parlante	2 vías	2 vías	2 vías	2 vías	2 vías	2 vías
Woofer [pulgada, mm]	2-3/4, 70	3-1/2, 89	4, 100	4x6, 100x160	4x10, 100x250	5-1/4, 130
Medio [pulgada, mm]	–	–	–	–	–	–
Tweeter [pulgada, mm]	–	1/2, 13	1/2, 13	1/2, 13	1/2, 13	3/4, 20
Impedancia nominal [Ω]	4	4	4	4	4	4
Manejo de potencia máxima [Watts]	100	100	150	150	150	150
Manejo de la corriente continua [Watts RMS]	15-50	15-50	15-75	15-75	15-75	15-75
Sensibilidad [1W, 1m]	85	88	88	88	88	90
Respuesta en frecuencia [Hz]	300-20k	80–20k	60–20k	50–20k	45–20k	45–21k
Diámetro del orificio de montaje [pulgadas, mm*]	2-3/8, 61	3-1/16, 78	3-11/16, 94	4x5-5/16, 101x151	3-7/8x9-3/8, 99x238	4-1/2, 115
Profundidad del montaje superior [pulgadas, mm]	1-1/4, 32	1-5/8, 42	1-13/16, 46	1-11/16, 44	2-3/8, 61	1-3/4, 45
Profundidad del montaje inferior [pulgadas, mm]	–	1-7/8, 49	2-1/16, 51	2, 51	2-13/16, 71	2, 52
Saliente del tweeter [pulgada, mm]	0	1/16, 2	0	1/16, 2	0	0
Rejillas	No	No	Si	No	No	Si (se vende por separado)
Material del magneto del tweeter	–	Neodimio	Neodimio	Neodimio	Neodimio	Neodimio
Material del tweeter de cúpula	–	Seda	Seda	Seda	Seda	Seda
Diseño del tweeter	–	Cúpula equilibrada	Cúpula equilibrada	Cúpula equilibrada	Cúpula equilibrada	Cúpula
Material del cono del woofer	papel compuesto	Polipropileno	Polipropileno	Polipropileno	Polipropileno	Polipropileno
Material envolvente del woofer	Paño tratado con rayos UV	Caucho	Caucho	Caucho	Caucho	Caucho

Modelo:	KSC650	KSC670	KSC680	KSC690	KSC6930
Diseño del parlante	2 vías	2 vías	2 vías	2 vías	3 vías
Woofer [pulgada, mm]	6-1/2, 160	6-3/4, 165	6x8, 160x200	6x9, 160x230	6x9, 160x230
Medio [pulgada, mm]	–	–	–	–	1, 25
Tweeter [pulgada, mm]	3/4, 20	3/4, 20	3/4, 20	1, 25	3/4, 20
Impedancia nominal [Ω]	4	4	4	4	4
Manejo de potencia máxima [Watts]	200	200	150	300	300
Manejo de la corriente continua [Watts RMS]	15-100	15-100	15-75	15-150	15-150
Sensibilidad [1W, 1m]	90	90	90	92	92
Respuesta en frecuencia [Hz]	43–21k	40–21k	45–21k	30–21k	30–21k
Diámetro del orificio de montaje [pulgadas, mm*]	4-13/16, 123	5-9/16, 141	5x7-3/16, 127x182	5-11/16x8-7/16, 144x215	5-11/16x8-7/16, 144x215
Profundidad del montaje superior [pulgadas, mm]	1-13/16, 46	1-13/16, 46	2-1/4, 58	3-3/16, 81	3-1/8, 80
Profundidad del montaje inferior [pulgadas, mm]	2-3/16, 54	2, 50	2-5/8, 67	3-11/16, 93	3-5/8, 92
Saliente del tweeter [pulgada, mm]	0	0	1/16, 2	0	0
Rejillas	Si	Si	Si	Si	Si
Material del magneto del tweeter	Neodimio	Neodimio	Neodimio	Neodimio	Neodimio
Material del tweeter de cúpula	Seda	Seda	Seda	Seda	Seda
Diseño del tweeter	Cúpula	Cúpula	Cúpula	Cúpula	Cúpula
Material del cono del woofer	Polipropileno	Polipropileno	Polipropileno	Polipropileno	Polipropileno
Material envolvente del woofer	Caucho	Caucho	Caucho	Caucho	Caucho

Instalación

Cableado

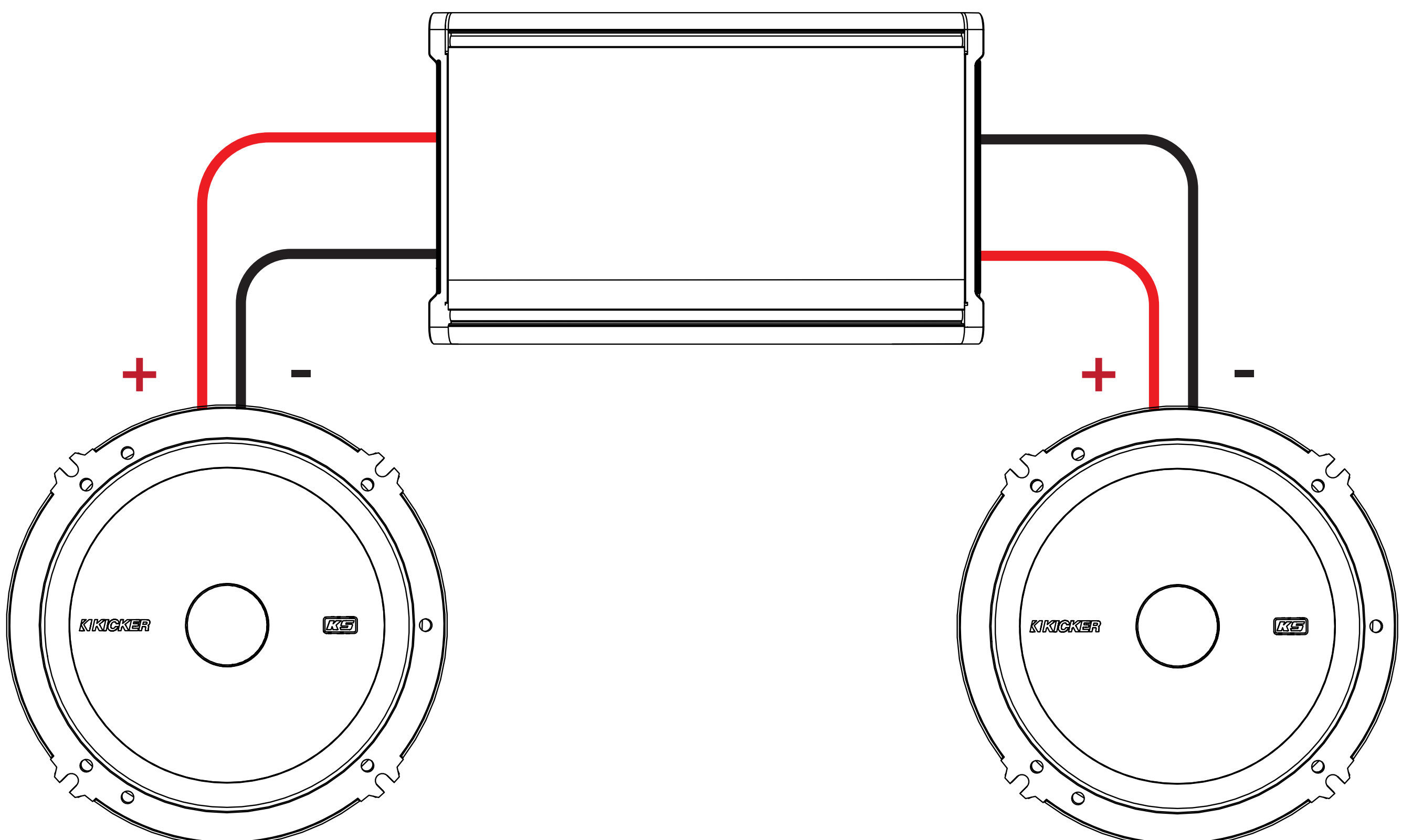
Se recomienda utilizar un cable calibre 16 (o más). Los Coaxes KS están clasificados para 4 ohms y funcionan con cualquier unidad fuente o amplificador diseñado para operar a una carga de 4 ohms. **Asegúrese de que la unidad fuente o el amplificador estén clasificados para funcionar con 4 ohms.**



Conecte el cableado a las terminales.

CABLEADO ESTÉREO ESTÁNDAR

impedancia mínima de 4 ohmios por canal

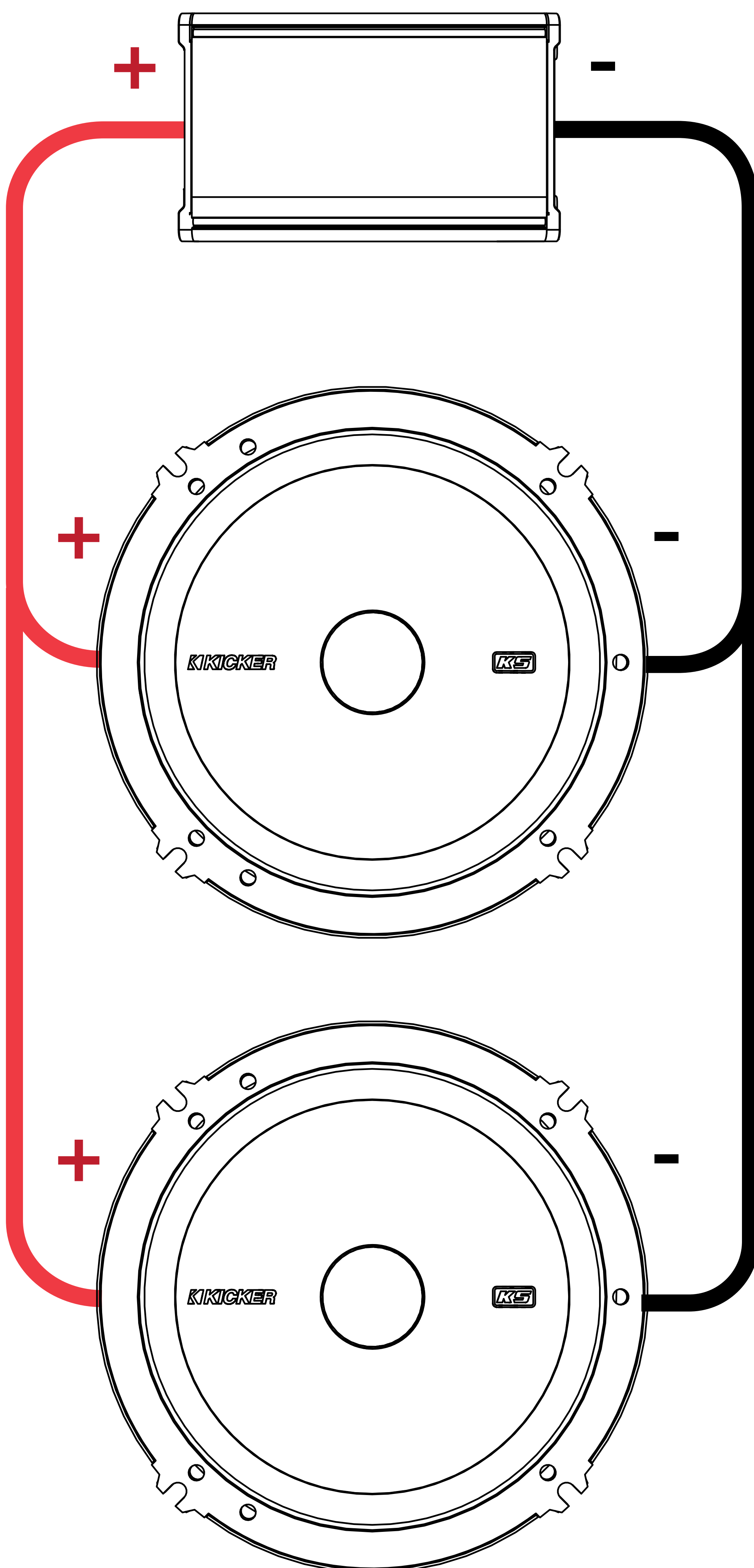


CABLEADO PARALELO

Dos KS Coax altavoces conectaron en la paralelo a un solo canal.

Total Impedancia: 2 ohms

Se necesitan al menos dos canales para amplificadores para el funcionamiento en estéreo (se muestra un solo canal).

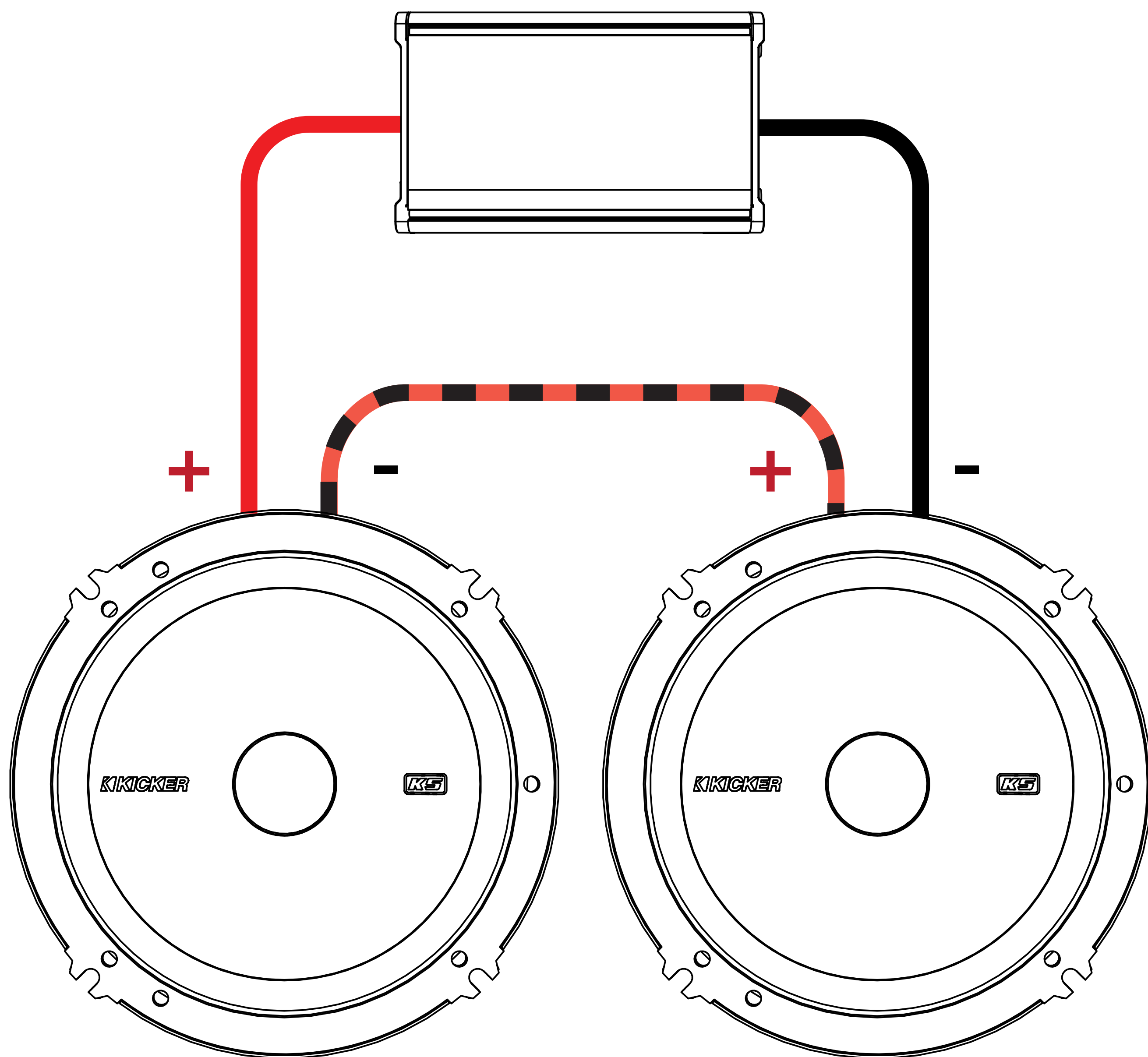


CABLEADO EN SERIE

Dos KS Coax altavoces conectaron en la serie a un solo canal

Total Impedancia: 8 ohms

Se necesitan al menos dos canales para amplificadores para el funcionamiento en estéreo (se muestra un solo canal).



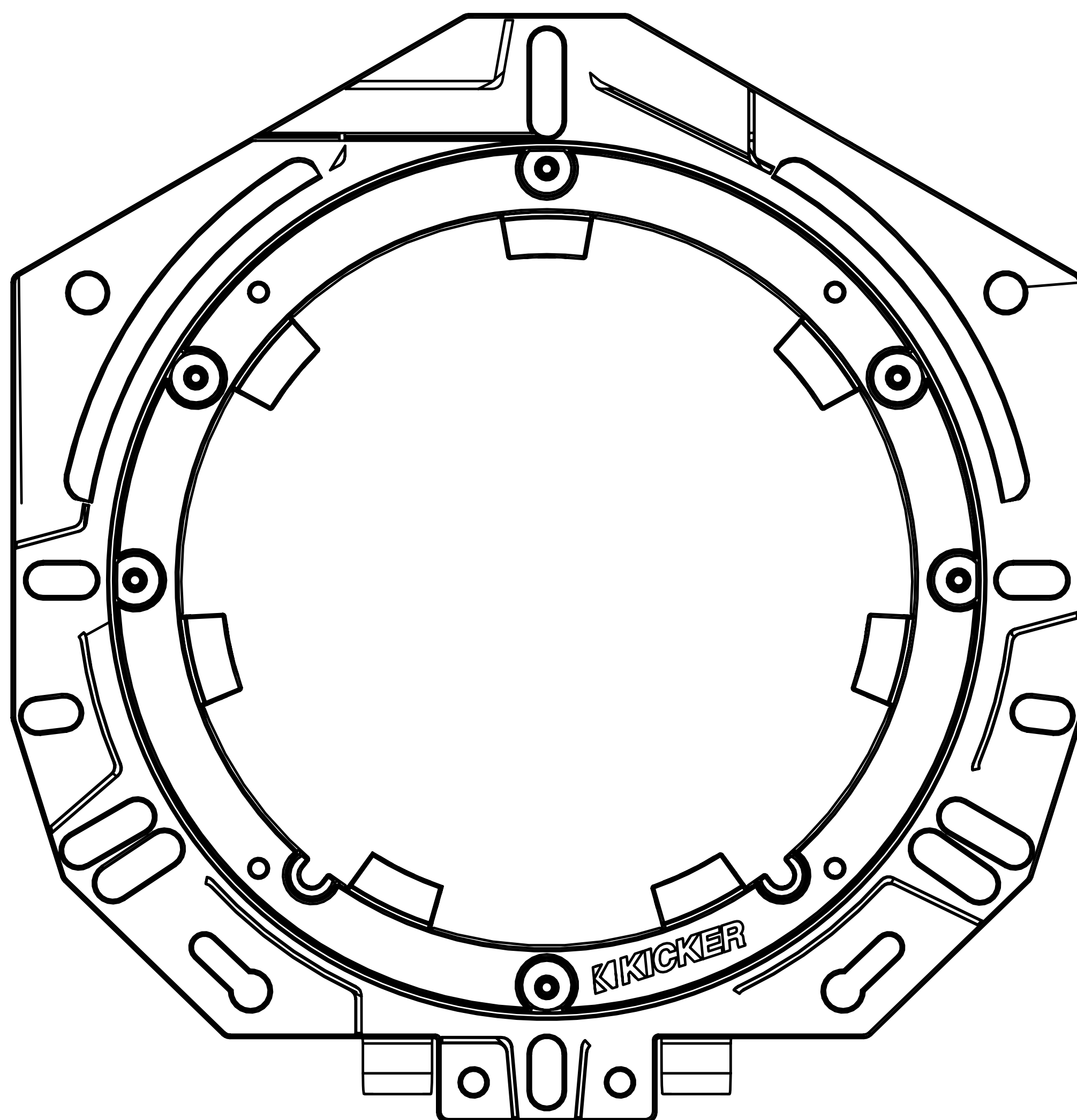
Montaje

Los altavoces Componentes KICKER KS han sido diseñados específicamente para montarlos en aplicaciones al aire libre. Estos altavoces no necesitan caja sellada para dar un rendimiento óptimo. Es importante separar el sonido radiado por delante del sonido radiado por detrás del excitador. Esta separación se logra normalmente instalando el excitador en una ubicación de altavoz preestablecida de fábrica o provista de una cámara trasera semiaislada.

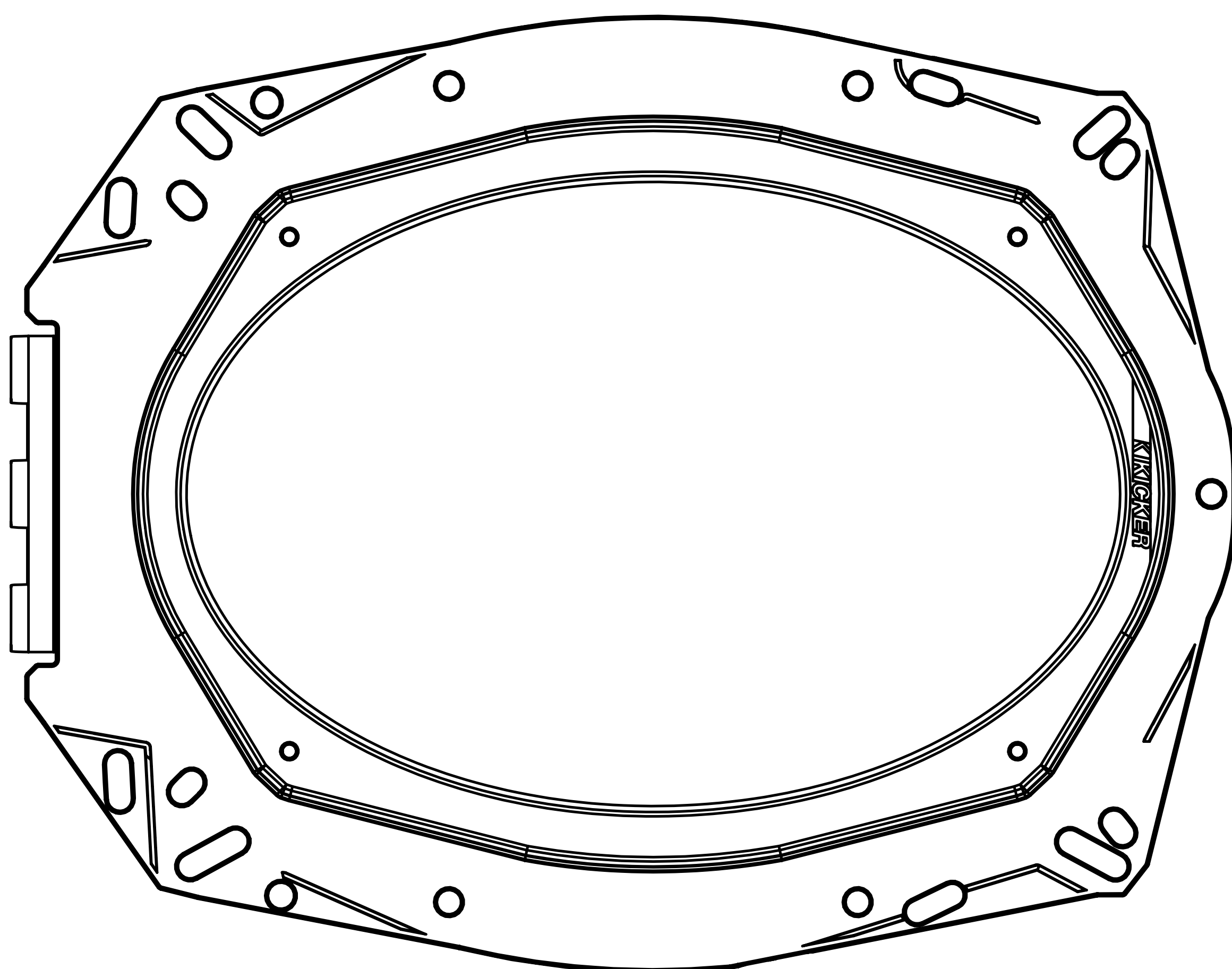
Si está reemplazando los altavoces de fábrica en sus ubicaciones originales con el KSC65 o KSC69, es posible que deba usar el adaptador multipropósito incluido o modificarlo para que se ajuste a los patrones de tornillo requeridos. También es posible que deba agrandar los recortes de los altavoces y taladrar previamente los nuevos orificios para tornillos con una broca de 7/64 “(2.5 mm). Las ubicaciones de montaje personalizado requieren más preparación y trabajo. En cualquier caso, asegúrese de que el altavoz no interfiera con los mecanismos de apertura y cierre de la puerta y de la cajuela, y de que los tornillos incluidos no perforen el tanque de gasolina ni rompan el cableado ni interfieran con ninguna otra pieza mecánica debajo o detrás de la superficie de montaje. Suba y baje completamente los vidrios de las ventanas.

Estos adaptadores de múltiples soportes ayudarán a acomodar los altavoces KS en ubicaciones de fábrica o personalizadas. Es posible que deba cortar piezas o modificar estos adaptadores para que se ajusten a su vehículo o aplicación.

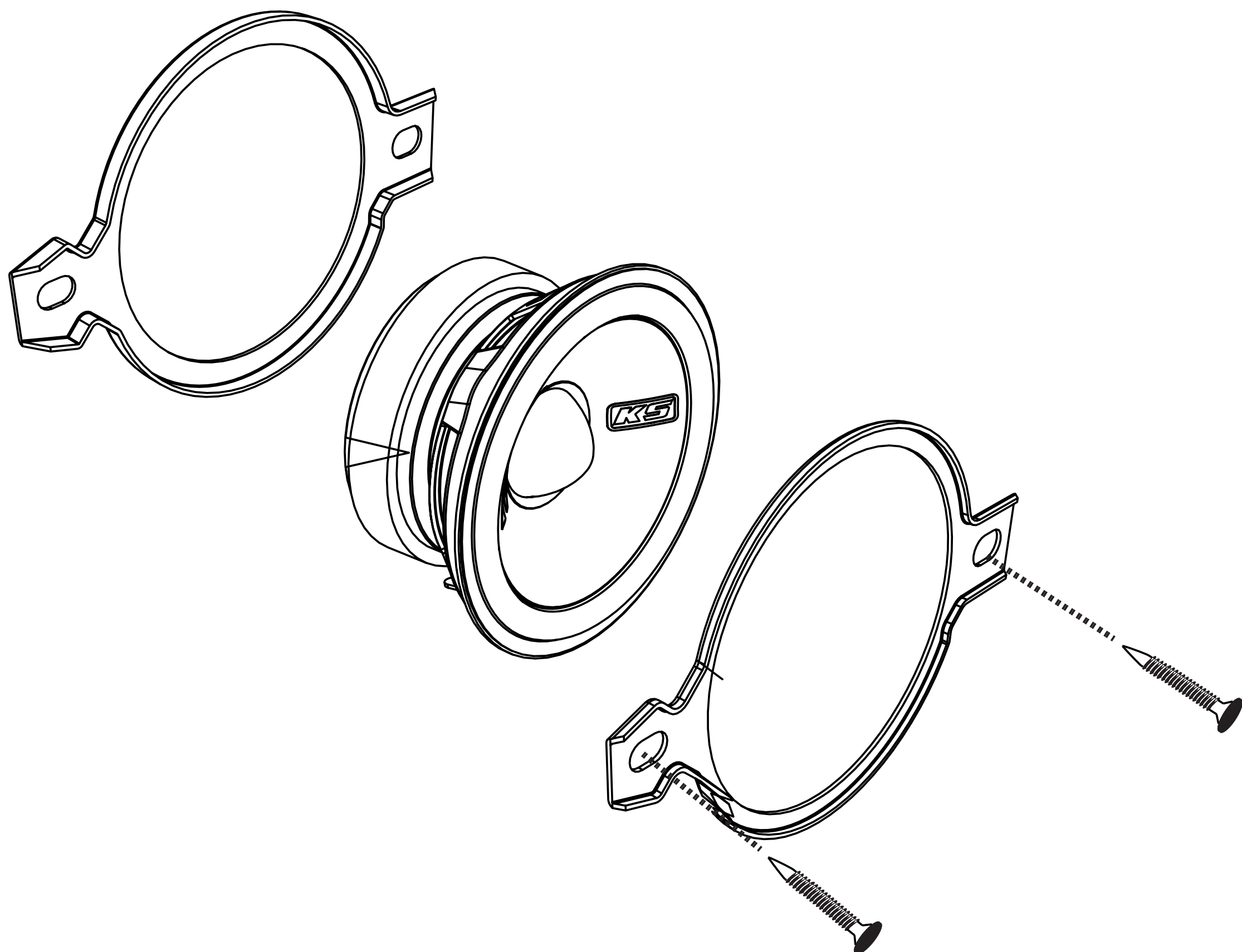
KS65/KS67 Adaptador



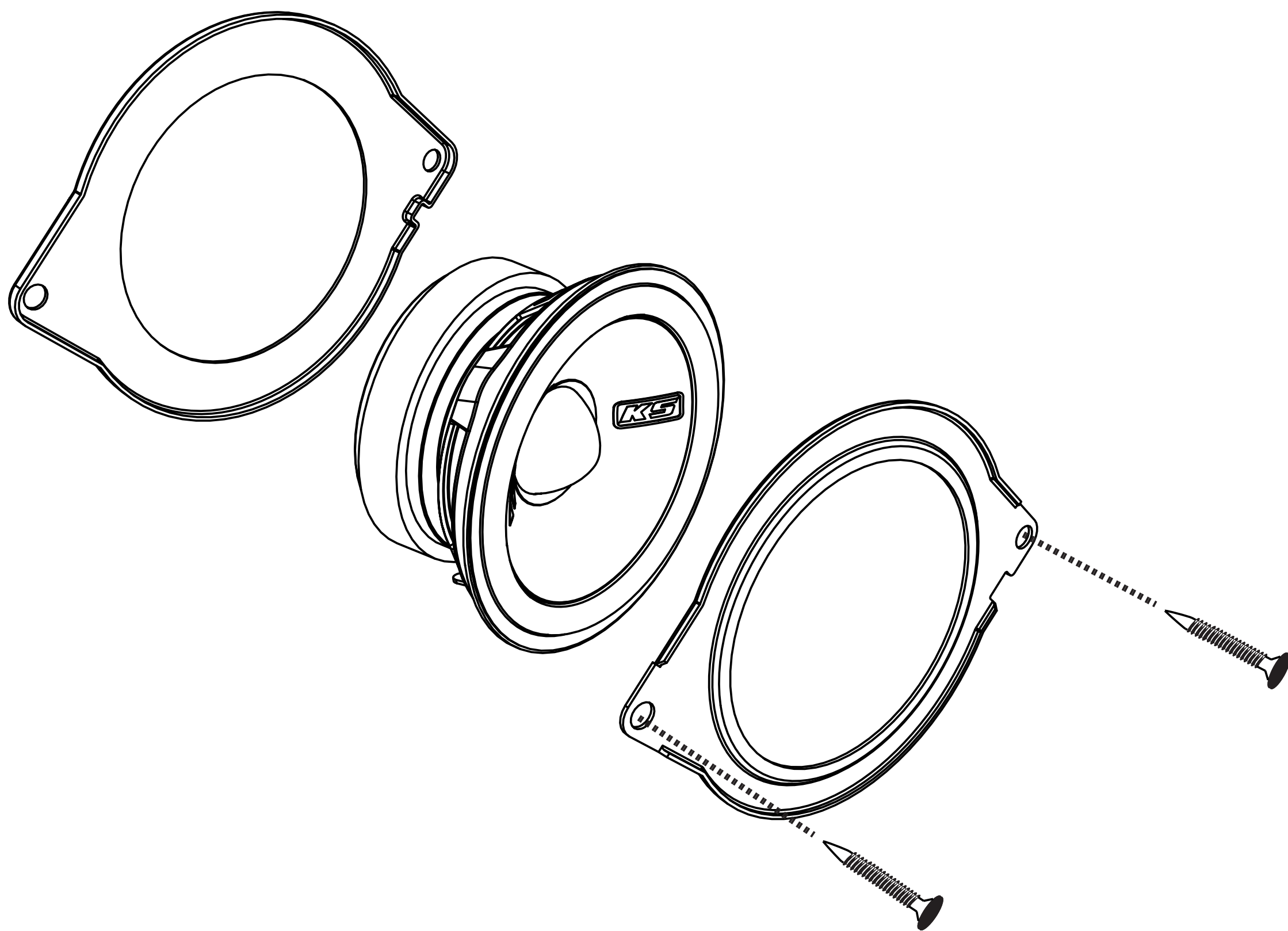
KS69 Adaptador



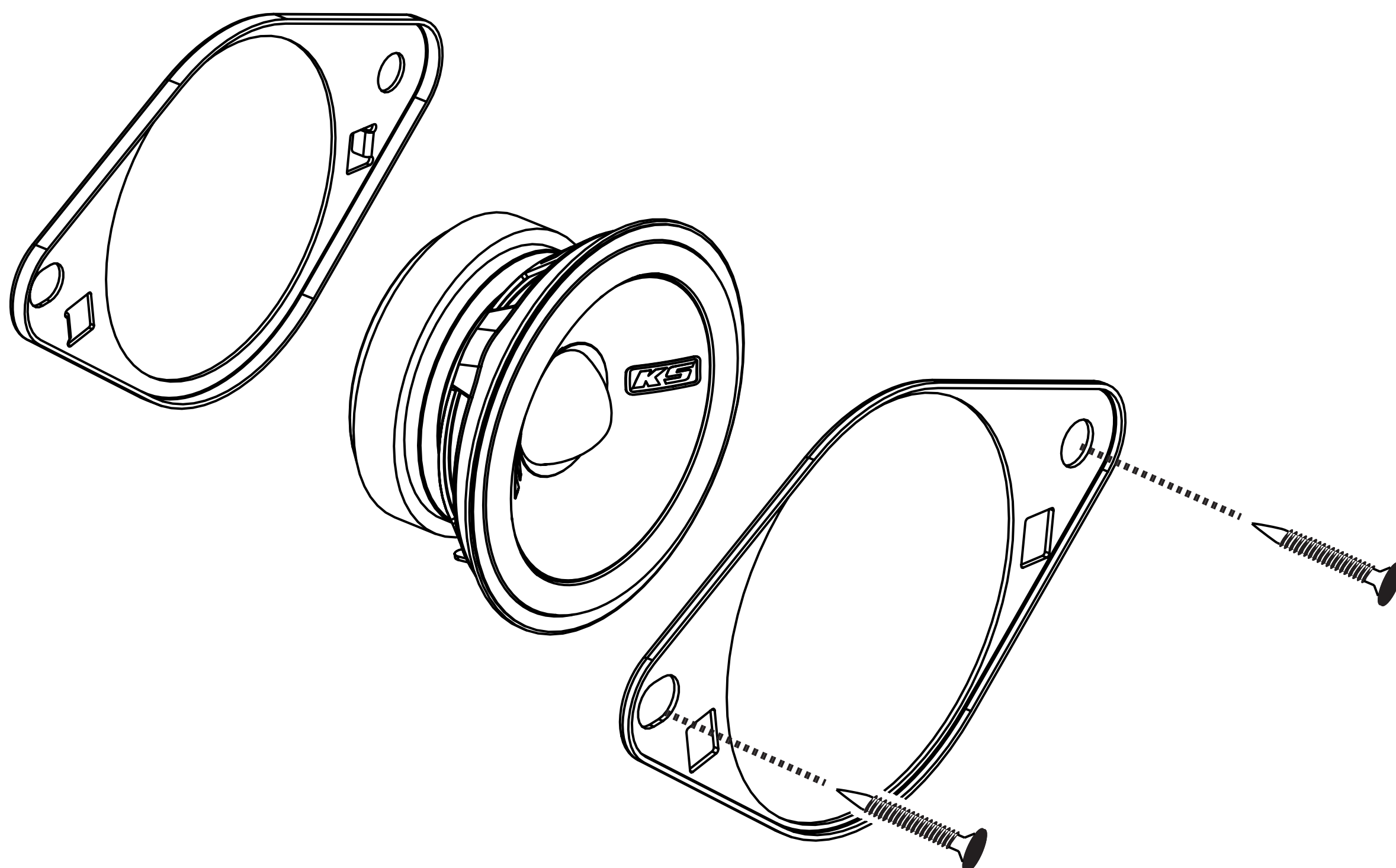
KS270 Adaptador - GM/CHRYSLER



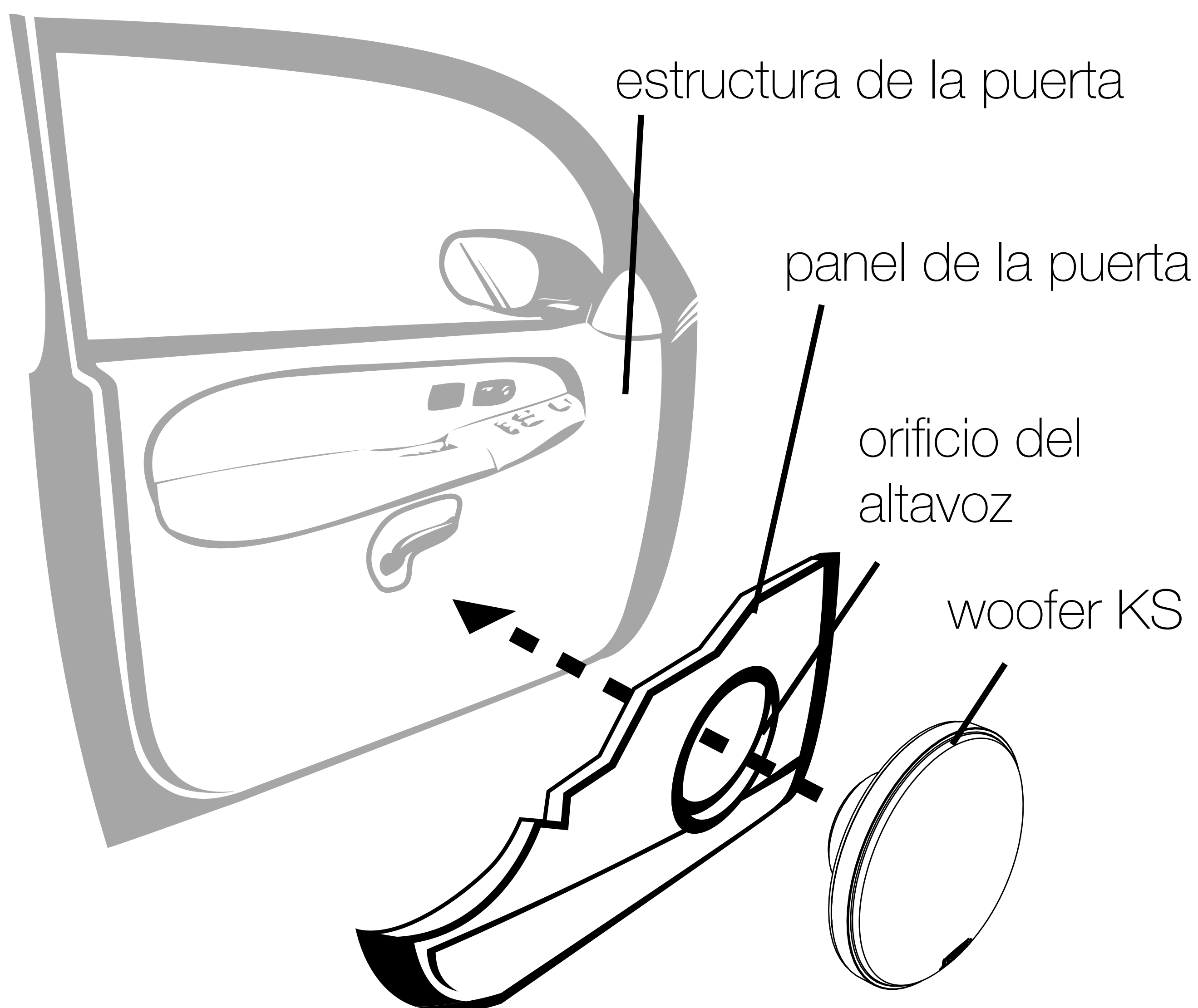
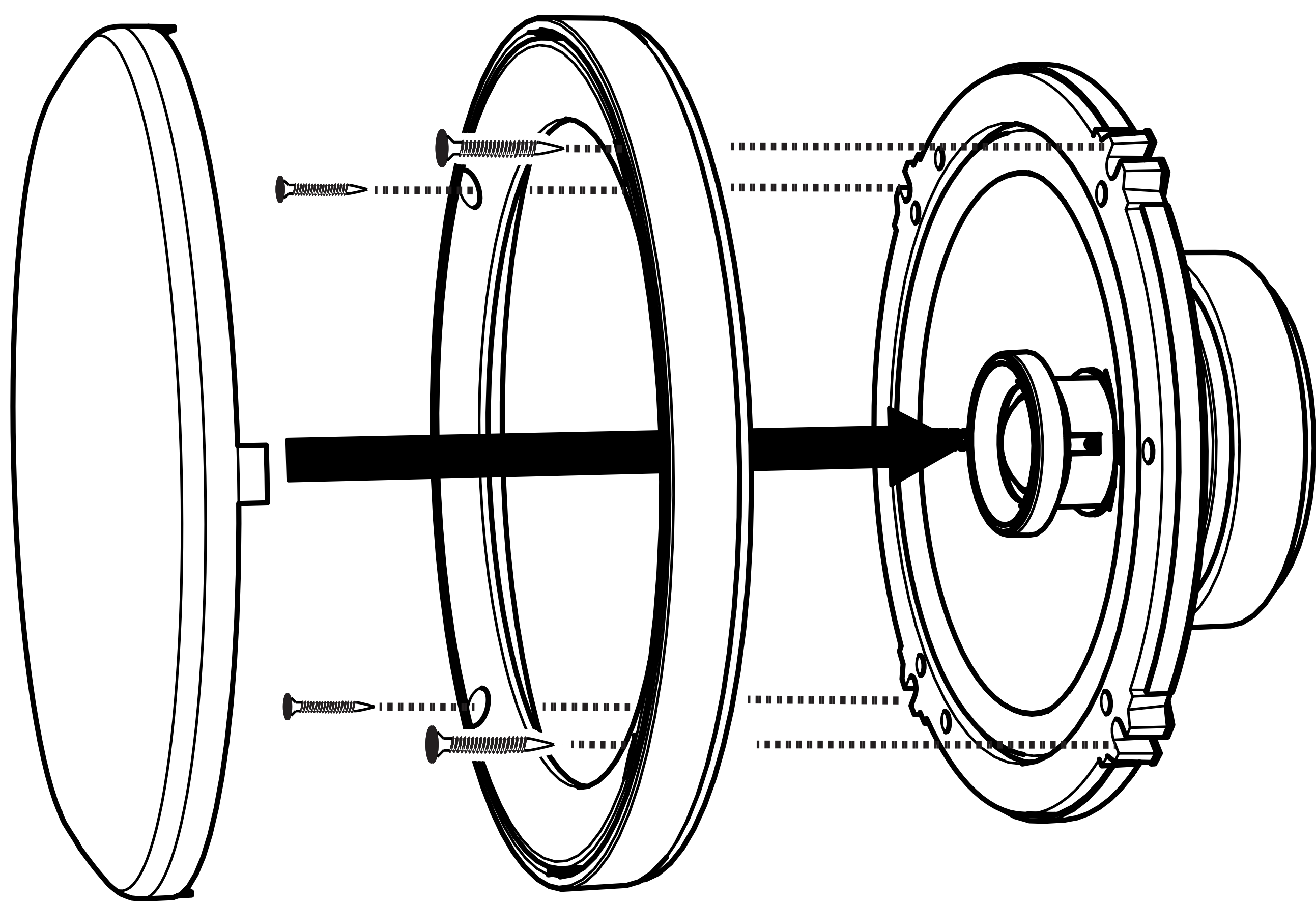
KS270 Adaptador - Chrysler/Jeep



KS270 Adaptador - Toyota/Subaru



Asegure la bocina en la ubicación deseada.



Présentation	25
Specifications	26
Installation	27
Câblage	27
Montage	30

Présentation

AVERTISSEMENT DE SÉCURITÉ IMPORTANT : UN FONCTIONNEMENT CONTINU ET PROLONGÉ D'UN AMPLIFICATEUR EN DISTORSION OU EN SATURATION PEUT PROVOQUER LA SURCHAUFFE DE VOTRE SYSTÈME AUDIO, UN POTENTIEL DÉPART D'INCENDIE ET SÉRIEUSEMENT ENDOMMAGER VOS COMPOSANTS ET/OU VOTRE VÉHICULE. LES PRODUITS KICKER PEUVENT PRODUIRE DES NIVEAUX SONORES SUSCEPTIBLES D'ENDOMMAGER L'OUÏE DE FAÇON IRRÉVERSIBLE ! L'AUGMENTATION DU VOLUME D'UN SYSTÈME JUSQU'À UN NIVEAU PRÉSENTANT UNE DISTORSION AUDIBLE ENDOMMAGE DAVANTAGE L'OUÏE QUE L'ÉCOUTE D'UN SYSTÈME SANS DISTORSION AU MÊME VOLUME. LE SEUIL DE LA DOULEUR EST TOUJOURS LE SIGNE QUE LE NIVEAU SONORE EST TROP ÉLEVÉ ET RISQUE D'ENDOMMAGER L'OUÏE DE FAÇON IRRÉVERSIBLE. RÉGLEZ LE VOLUME EN FAISANT PREUVE DE BON SENS. LES HAUT-PARLEURS KICKER ONT LA CAPACITÉ DE PRODUIRE DES NIVEAUX SONORES POUVANT ENDOMMAGER L'OUÏE DE FAÇON IRRÉVERSIBLE ! L'AUGMENTATION DU VOLUME D'UN SYSTÈME JUSQU'À UN NIVEAU PRÉSENTANT UNE DISTORSION AUDIBLE ENDOMMAGE DAVANTAGE L'OUÏE QUE L'ÉCOUTE D'UN SYSTÈME SANS DISTORSION AU MÊME VOLUME. LE SEUIL DE LA DOULEUR EST TOUJOURS LE SIGNE QUE LE NIVEAU SONORE EST TROP ÉLEVÉ ET RISQUE D'ENDOMMAGER L'OUÏE DE FAÇON IRRÉVERSIBLE. RÉGLEZ LE VOLUME EN FAISANT PREUVE DE BON SENS!

Vos haut-parleurs de KS coaxiaux ont été conçus pour l'environnement automoteur dur. L'haut-parleur utilise des matériels avancés et les techniques de construction pour maintenir l'exécution optimale pendant des années pour venir. Nous espérons que vous aurez la chance d'associer ces nouveaux composants améliorés destinés aux audiophiles avec nos tout nouveaux amplificateurs intelligents KEY et un sub KICKER pour une expérience audio que vous n'oublierez pas !

Specifications

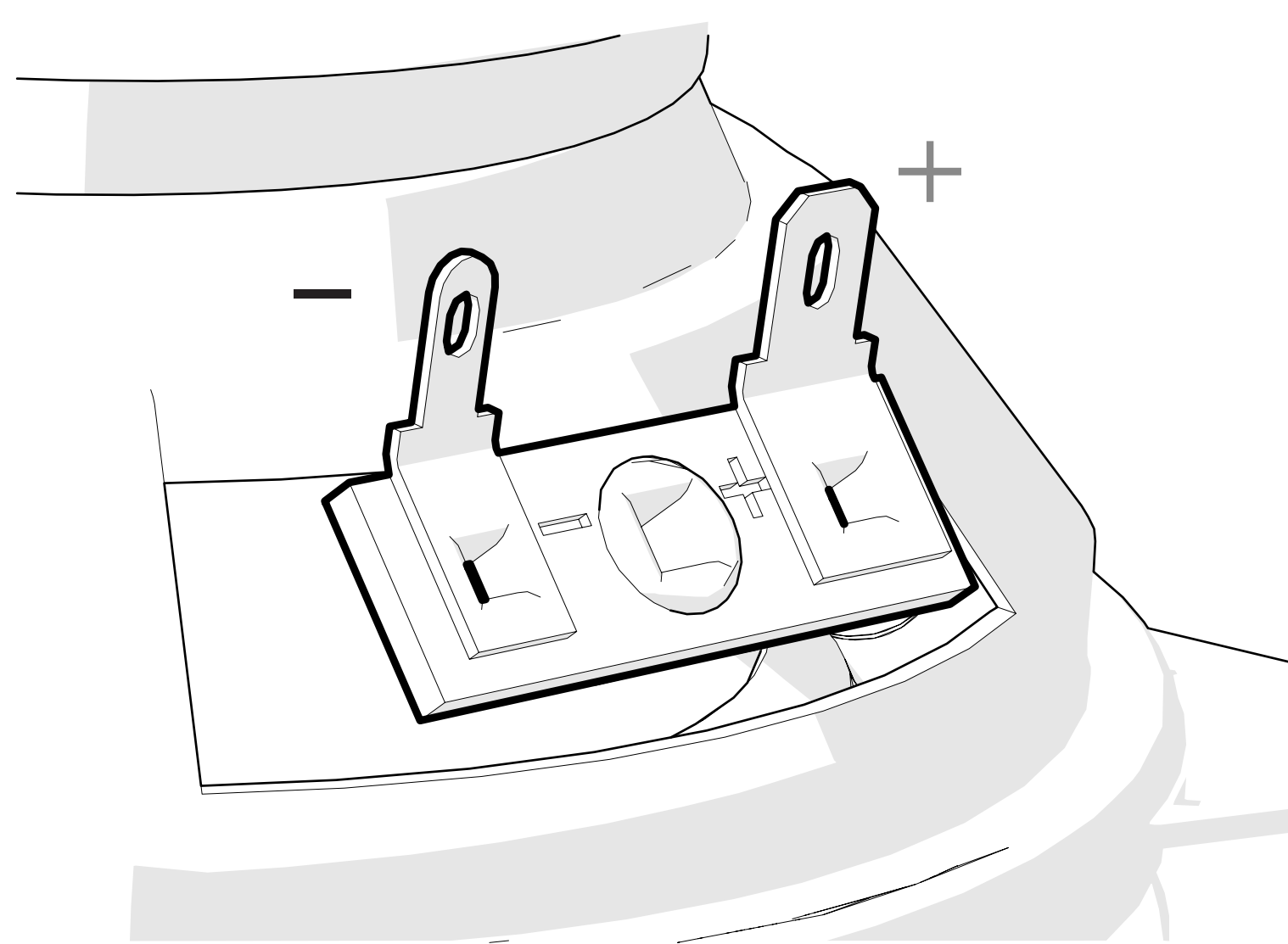
Modele:	KSC270	KSC350	KSC40	KSC460	KSC4100	KSC50
Conception du haut-parleur	2 voies	2 voies	2 voies	2 voies	2 voies	2 voies
Grave [po ; mm]	2-3/4, 70	3-1/2, 89	4, 100	4x6, 100x160	4x10, 100x250	5-1/4, 130
Médium [po ; mm]	–	–	–	–	–	–
Aigu [po ; mm]	–	1/2, 13	1/2, 13	1/2, 13	1/2, 13	3/4, 20
Impédance nominale [Ω]	4	4	4	4	4	4
Puissance maximale [W]	100	100	150	150	150	150
Puissance continue [watts RMS]	15-50	15-50	15-75	15-75	15-75	15-75
Sensibilité [1 W, 1 m]	85	88	88	88	88	90
Réponse en fréquence [Hz]	300-20k	80–20k	60–20k	50–20k	45–20k	45–21k
Diamètre du trou de montage [po ; mm]	2-3/8, 61	3-1/16, 78	3-11/16, 94	4x5-5/16, 101x151	3-7/8x9-3/8, 99x238	4-1/2, 115
Profondeur du montage supérieur [po ; mm]	1-1/4, 32	1-5/8, 42	1-13/16, 46	1-11/16, 44	2-3/8, 61	1-3/4, 45
Profondeur du montage inférieur [po ; mm]	–	1-7/8, 49	2-1/16, 51	2, 51	2-13/16, 71	2, 52
Protubérance du haut-parleur des aigus [po ; mm]	0	1/16, 2	0	1/16, 2	0	0
Grilles	Non	Non	Oui	Non	Non	Oui
Matériau aimanté du haut-parleur des aigus	–	Néodyme	Néodyme	Néodyme	Néodyme	Néodyme
Matière du dôme du haut-parleur des aigus	–	Soie	Soie	Soie	Soie	Soie
Forme du haut-parleur des aigus	–	Dôme équilibré	Dôme équilibré	Dôme équilibré	Dôme équilibré	Dôme
Matière du cône du haut-parleur des graves	Papier composite	Polypropylène	Polypropylène	Polypropylène	Polypropylène	Polypropylène
Matière de l'enceinte du haut-parleur des graves	Tissu traité UV	Caoutchouc	Caoutchouc	Caoutchouc	Caoutchouc	Caoutchouc

Modele:	KSC650	KSC670	KSC680	KSC690	KSC6930
Conception du haut-parleur	2 voies	2 voies	2 voies	2 voies	3 voies
Grave [po ; mm]	6-1/2, 160	6-3/4, 165	6x8, 160x200	6x9, 160x230	6x9, 160x230
Médium [po ; mm]	–	–	–	–	1, 25
Aigu [po ; mm]	3/4, 20	3/4, 20	3/4, 20	1, 25	3/4, 20
Impédance nominale [Ω]	4	4	4	4	4
Puissance maximale [W]	200	200	150	300	300
Puissance continue [watts RMS]	15-100	15-100	15-75	15-150	15-150
Sensibilité [1 W, 1 m]	90	90	90	92	92
Réponse en fréquence [Hz]	43–21k	40–21k	45–21k	30–21k	30–21k
Diamètre du trou de montage [po ; mm]	4-13/16, 123	5-9/16, 141	5x7-3/16, 127x182	5-11/16x8-7/16, 144x215	5-11/16x8-7/16, 144x215
Profondeur du montage supérieur [po ; mm]	1-13/16, 46	1-13/16, 46	2-1/4, 58	3-3/16, 81	3-1/8, 80
Profondeur du montage inférieur [po ; mm]	2-3/16, 54	2, 50	2-5/8, 67	3-11/16, 93	3-5/8, 92
Protubérance du haut-parleur des aigus [po ; mm]	0	0	1/16, 2	0	0
Grilles	Ou	Oui	Non	Oui	Oui
Matériau aimanté du haut-parleur des aigus	Néodyme	Néodyme	Néodyme	Néodyme	Néodyme
Matière du dôme du haut-parleur des aigus	Soie	Soie	Soie	Soie	Soie
Forme du haut-parleur des aigus	Dôme	Dôme	Dôme	Dôme	Dôme
Matière du cône du haut-parleur des graves	Polypropylène	Polypropylène	Polypropylène	Polypropylène	Polypropylène
Matière de l'enceinte du haut-parleur des graves	Caoutchouc	Caoutchouc	Caoutchouc	Caoutchouc	Caoutchouc

Installation

Câblage

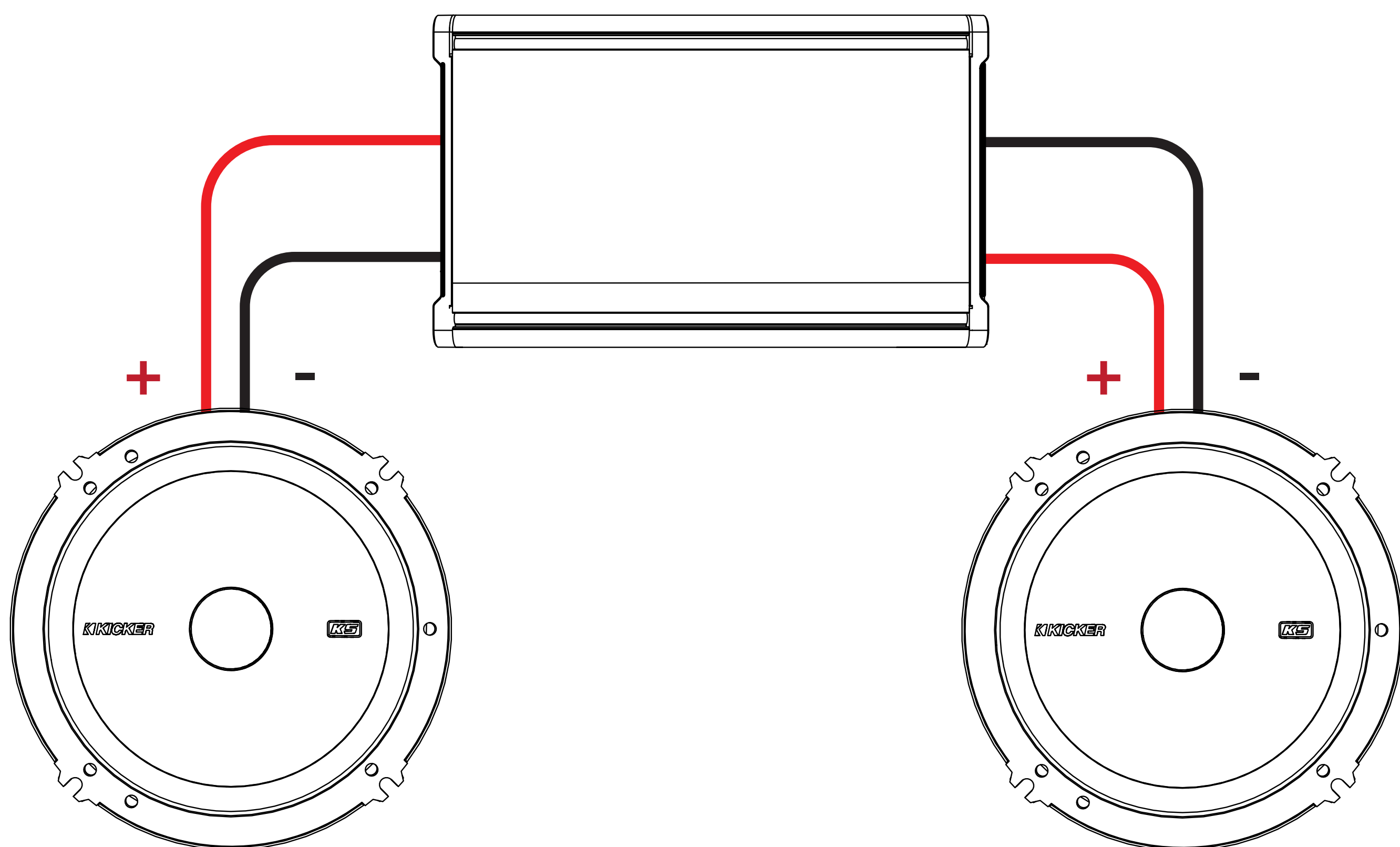
Nous conseillons d'utiliser du fil de calibre 16 (ou supérieur). Les coaxiaux KS ont une valeur nominale de 4 ohms et fonctionnent avec n'importe quelle source ou n'importe quel amplificateur conçu pour une charge de 4 ohms. **S'assurer que la source ou l'amplificateur est prévu pour un fonctionnement à 4 ohms.**



Connectez le câblage aux bornes.

CÂBLAGE STÉRÉO STANDARD

impédance minimale de 4 ohms par canal

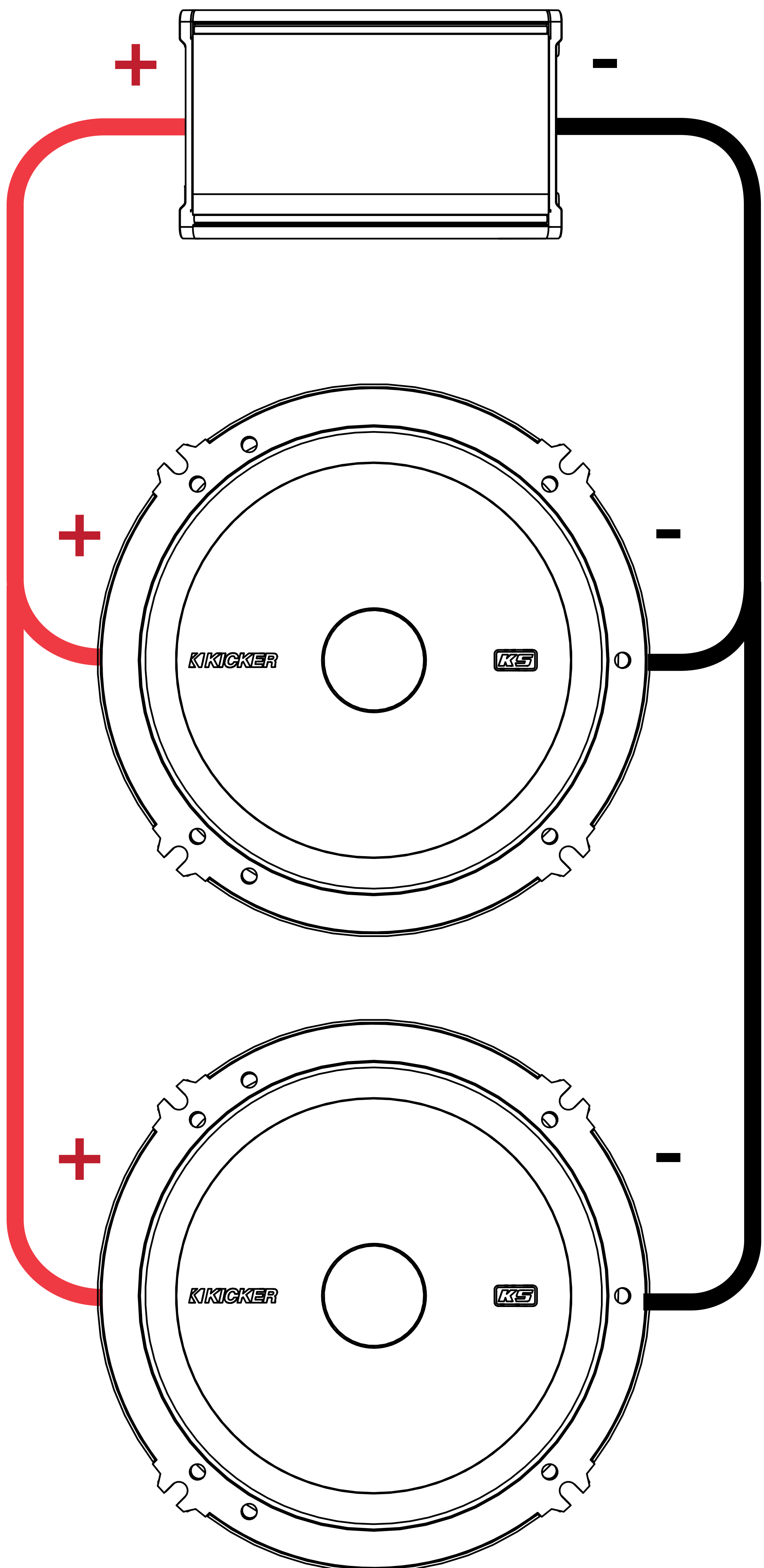


CÂBLAGE PARALLÈLE

Deux haut-parleurs à une parallèle seule

Total Impédance: 2 ohms

Au moins deux canaux amplificateurs sont requis pour une exploitation stéréo (un seul canal est représenté)

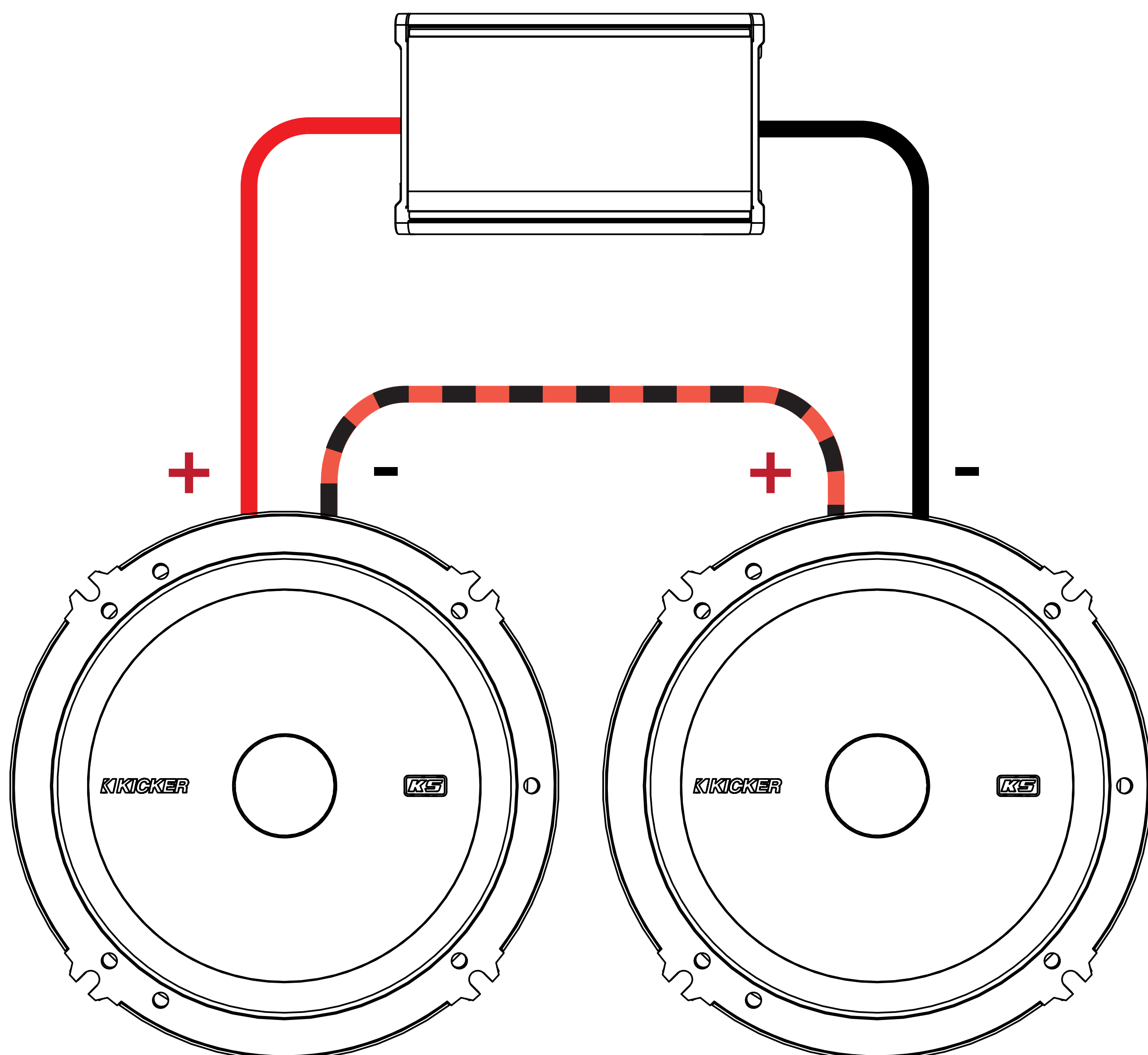


CÂBLAGE EN SÉRIE

Deux haut-parleurs à une chaîne seule

Total Impédance: 8 ohms

Au moins deux canaux amplificateurs sont requis pour une exploitation stéréo (un seul canal est représenté)



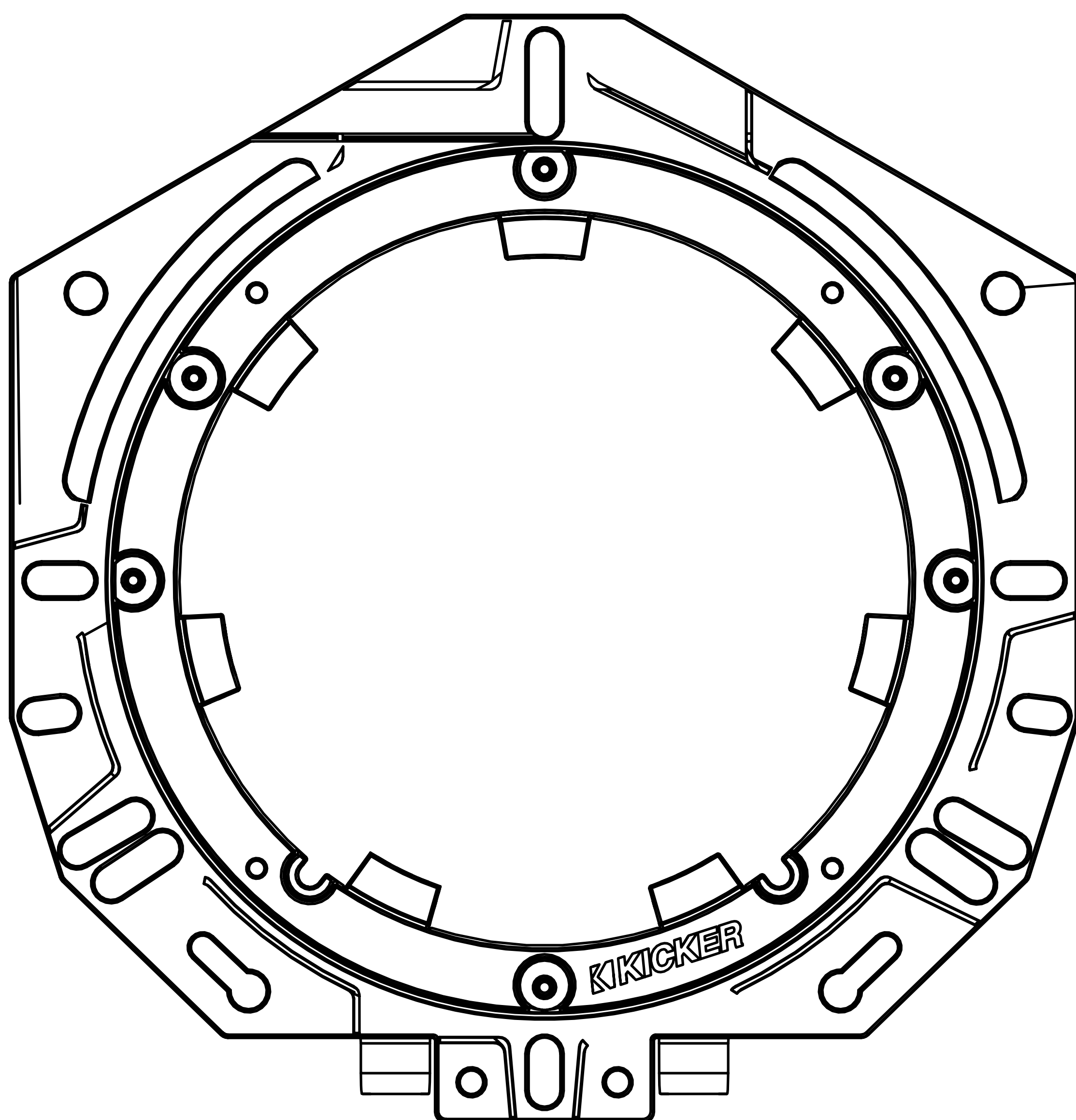
Montage

Les coaxiales Kicker KS ont été spécialement conçus pour un montage sans enceinte. Leur fonctionnement optimal ne nécessite pas d'enceinte close. Il est important d'isoler le son sortant par l'avant du haut-parleur et le son diffusé à l'arrière du haut-parleur. En général, cette isolation est obtenue en installant le haut-parleur dans un emplacement standard ou dans un emplacement pourvu d'une chambre arrière semi-isolée.

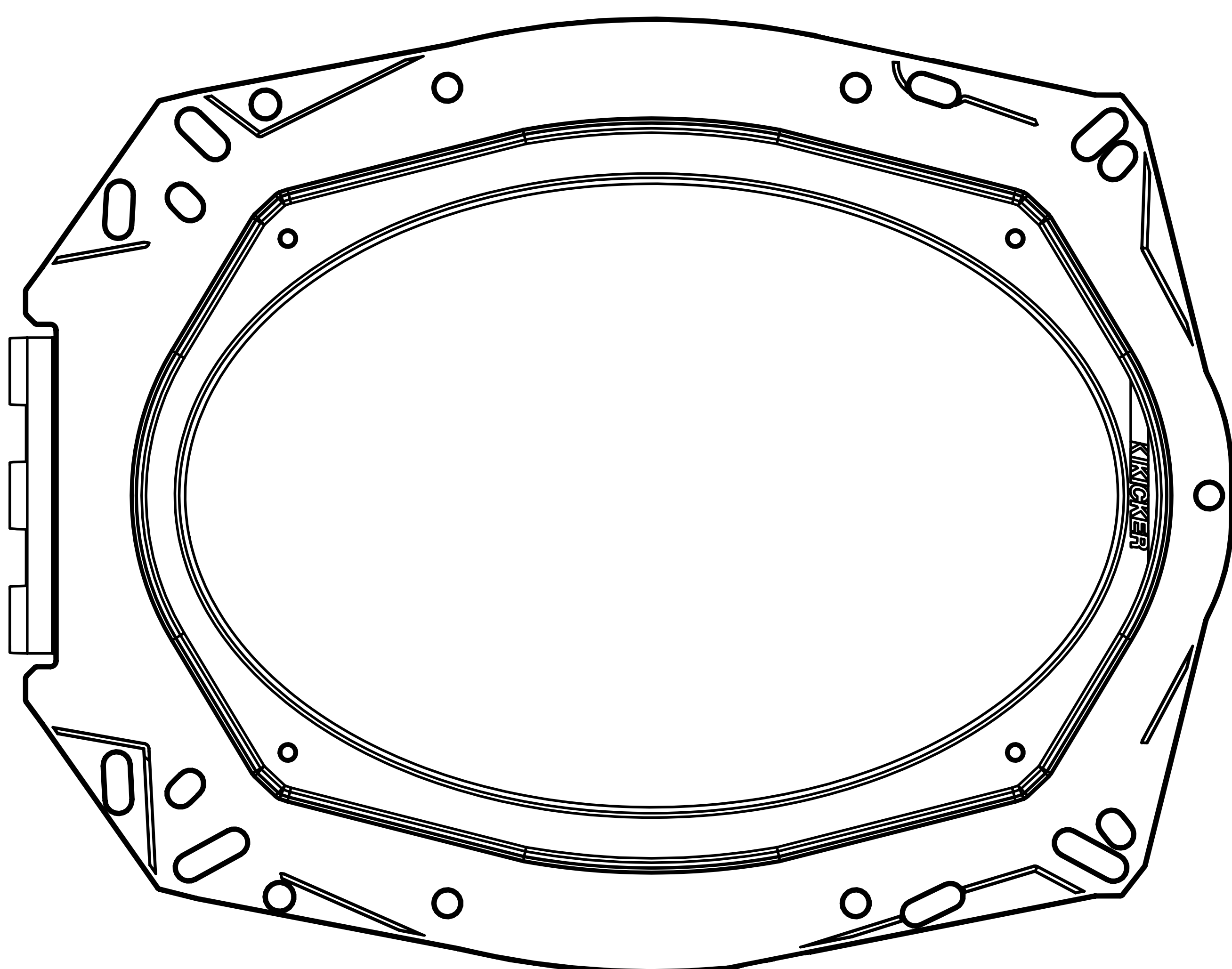
Si vous remplacez les haut-parleurs d'usine dans leur emplacement d'origine par le KSC65, KSC67 ou KSC69, vous devrez peut-être utiliser l'adaptateur polyvalent inclus ou le modifier de telle sorte qu'il s'adapte aux modèles de vis requis. Vous devrez peut-être également agrandir les découpes d'enceintes et pré-percer de nouveaux trous de vis à l'aide d'une mèche de $7/64$ "(2,5 mm). Les emplacements de montage sur mesure demandent davantage de préparation et de travail. Dans tous les cas, veillez à ce que le haut-parleur ne gêne pas les mécanismes d'ouverture et de fermeture du coffre et des portières, et que les vis fournies ne percent pas le réservoir de carburant ni les câbles, et ne gênent aucune autre pièce mécanique à l'envers de la surface de montage. Ouvrez complètement les vitres, puis refermez-les.

Ces adaptateurs multi-supports aideront à accueillir les haut-parleurs KS dans des emplacements d'usine ou personnalisés. Vous devrez peut-être couper des pièces ou autrement modifier ces adaptateurs pour les adapter à votre véhicule ou à votre application.

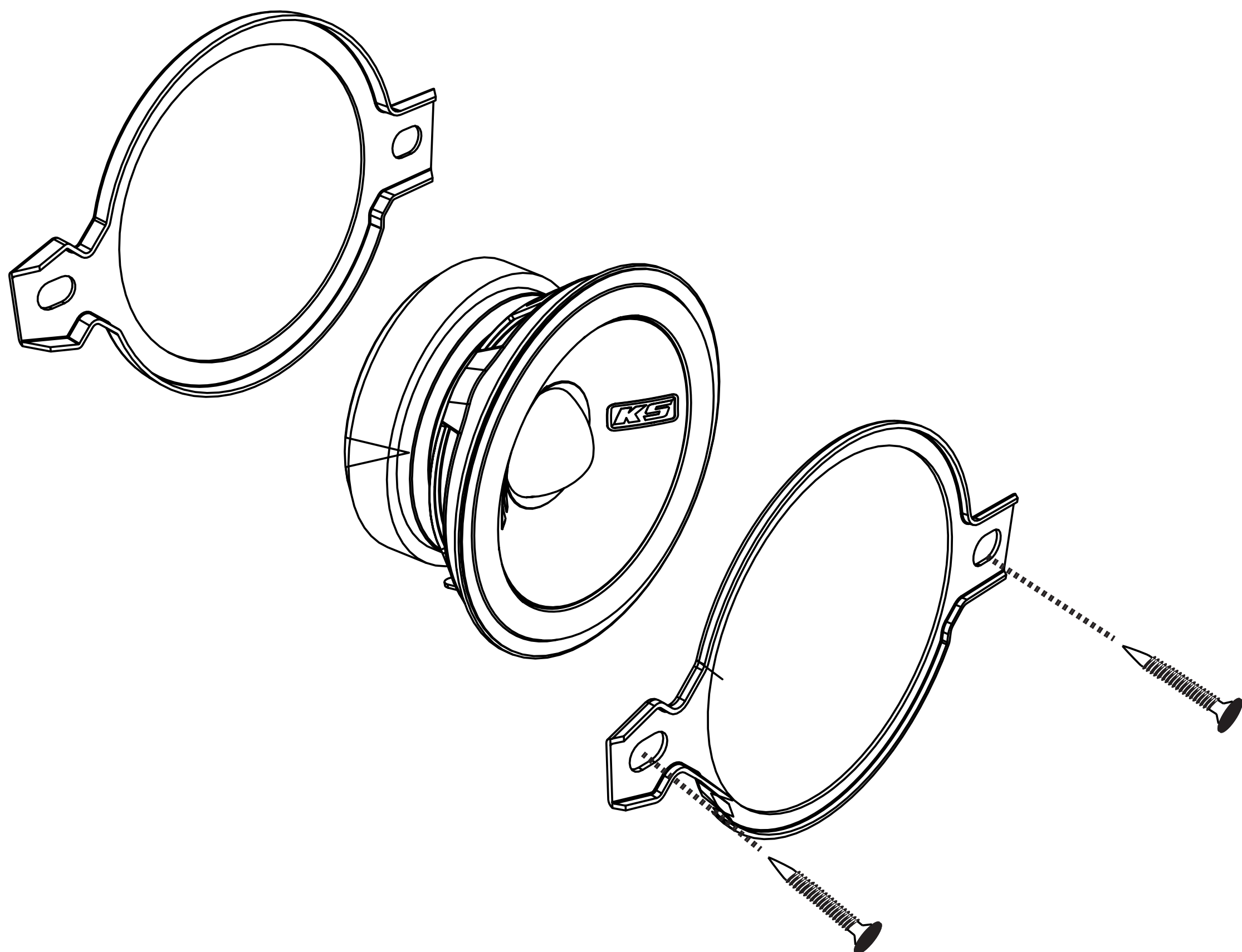
KS65/KS67 ADAPTATEUR



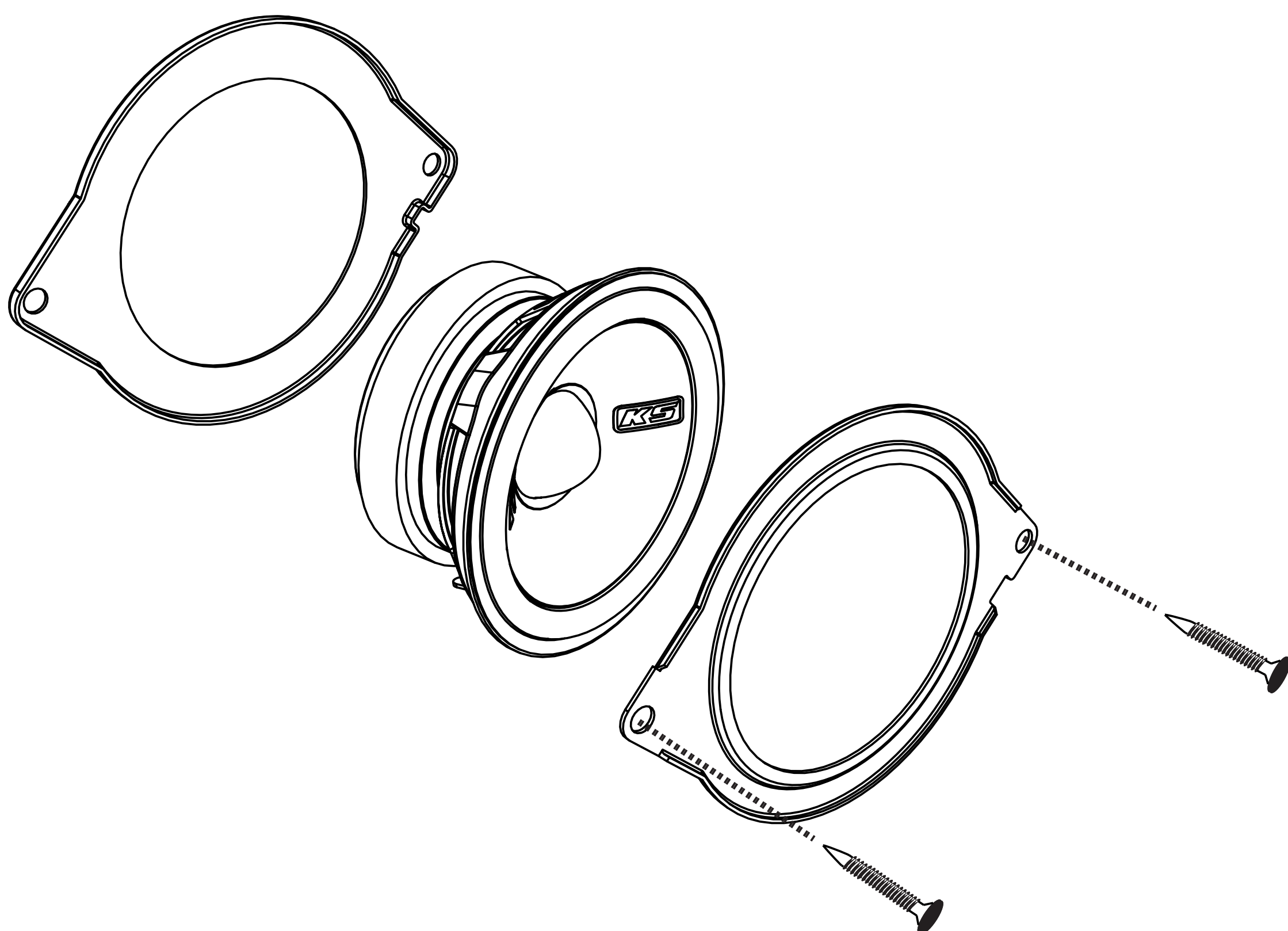
KS69 ADAPTATEUR



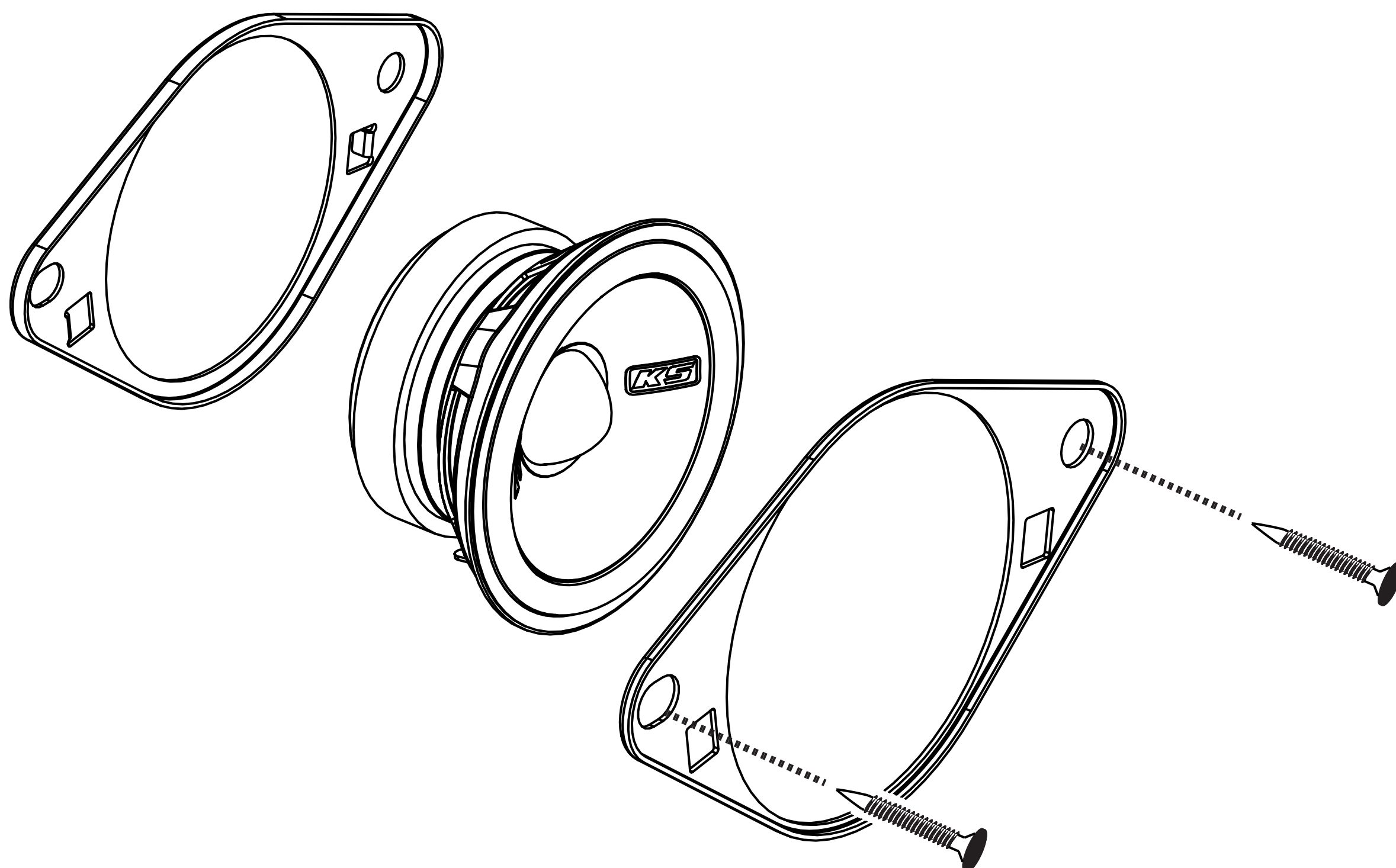
KS270 ADAPTATEUR - GM/CHRYSLER



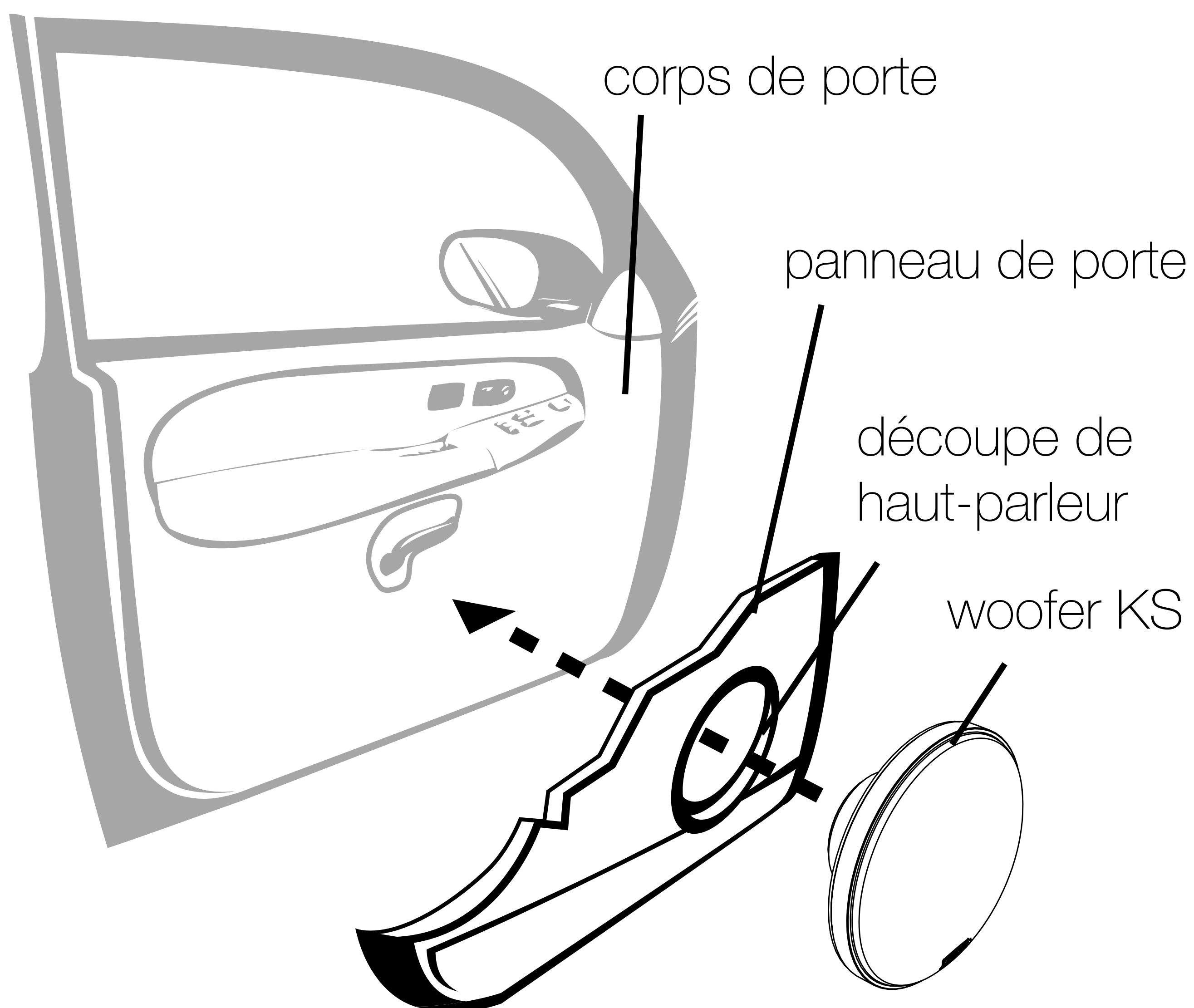
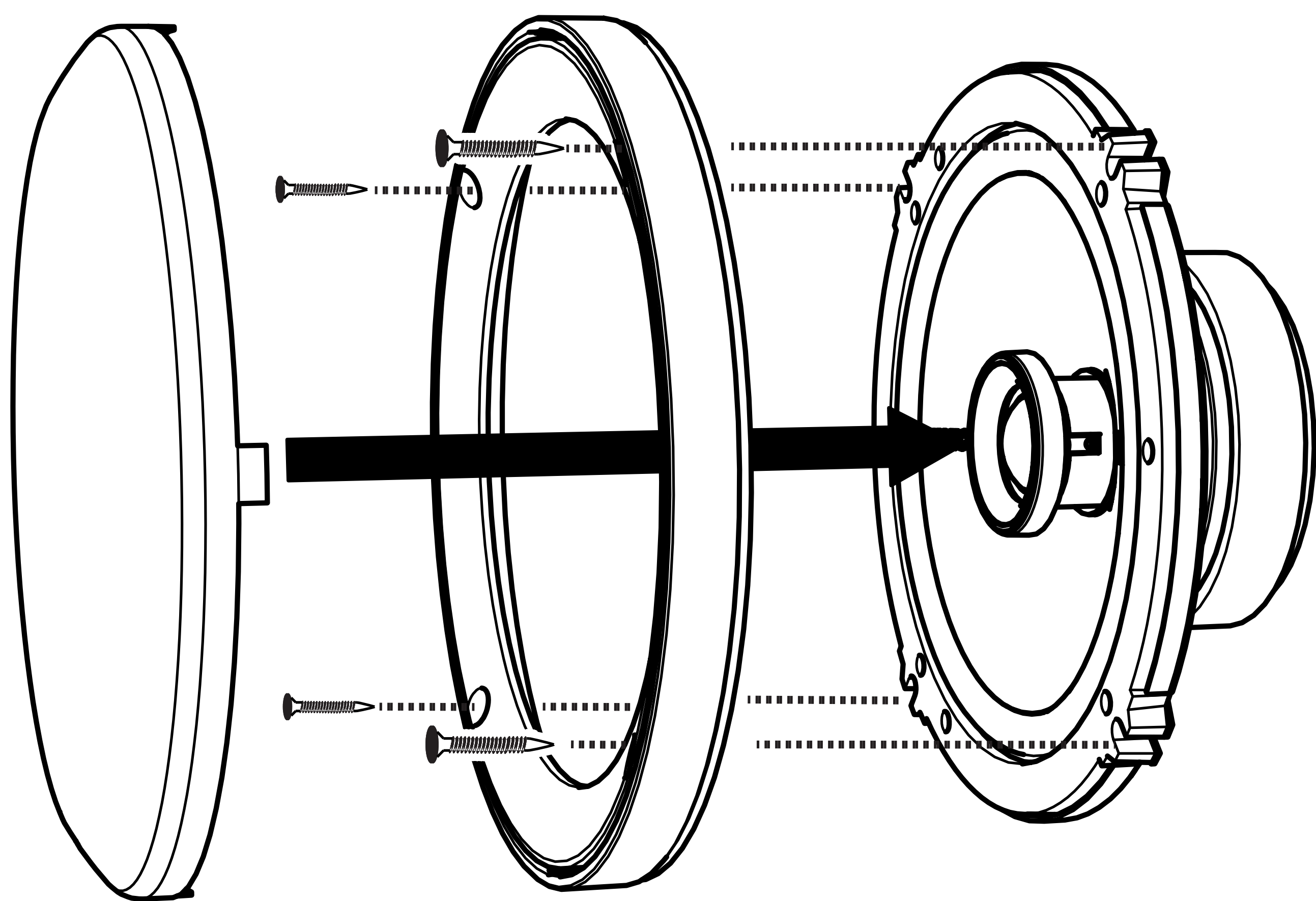
KS270 ADAPTATEUR - CHRYSLER/JEEP



KS270 ADAPTATEUR - TOYOTA/SUBARU



Fixez le haut-parleur à l'endroit désiré.



Übersicht	35
Leistung	36
Installation	37
Verkabelung	37
Montage	40
Garantía Garantie	44

Übersicht

WICHTIGE SICHERHEITSWARNUNG: DER ANHALTENDE, FORTLAUFENDE BETRIEB EINES VERSTÄRKERS IN ÜBERSTEUERTER ODER ABGEHACKTER WEISE KANN DAZU FÜHREN, DASS SICH DAS AUDIO-SYSTEM ÜBERHITZT UND IN BRAND GERÄT, WAS ZU EINER SCHWEREN BESCHÄDIGUNG DER KOMPONENTEN UND/ODER DES FAHRZEUGS FÜHREN KANN. KICKER-PRODUKTE KÖNNEN LAUTSTÄRKEPEGEL ERZEUGEN, DIE DAS GEHÖR PERMANENT SCHÄDIGEN KÖNNEN! WENN DIE LAUTSTÄRKE EINES SYSTEM BIS ZU EINER HÖRBAREN VERZERRUNG ERHÖHT WIRD, KANN DAS GEHÖR SCHWERER ALS MIT EINEM NICHT VERZERRTEN SYSTEM MIT DEM GLEICHEN LAUTSTÄRKEPEGEL GESCHÄDIGT WERDEN. DIE SCHMERZSCHWELLE IST IMMER EIN INDIKATOR, DASS DER LAUTSTÄRKEPEGEL ZU HOCH IST UND DAS GEHÖR PERMANENT SCHÄDIGEN KANN. LASSEN SIE GESUNDEN MENSCHENVERSTAND WALTEN, WENN SIE DIE LAUTSTÄRKE EINSTELLEN. KICKER-TREIBER KÖNNEN EINEN SCHALLPEGEL ERZEUGEN, DER ZU PERMANENTEN GEHÖRSCHÄDEN FÜHREN KANN! WENN SIE EIN SYSTEM AUF EINEN PEGEL STELLEN, DER HÖRBARE VERZERRUNGEN ERZEUGT, SCHADET DAS IHREN OHREN MEHR, ALS EIN NICHT VERZERRTES SYSTEM AUF DEM GLEICHEN LAUTSTÄRKEPEGEL. DIE SCHMERZSCHWELLE IST IMMER EINE ANZEIGE DAFÜR, DASS DER SCHALLPEGEL ZU LAUT IST UND ZU PERMANENTEN GEHÖRSCHÄDEN FÜHREN KANN. SEIEN SIE BEI DER LAUTSTÄRKEEINSTELLUNG BITTE VERNÜNFTIG!

Ihr KS Koax-System wurde besonders für “Livin’ Loud” in der harten Autoumwelt entworfen. Es ist Materialien und Konstruktion fortgeschritten beizubehalten, dass ideale Leistung jahrelang kommt. Wir hoffen, dass Sie die Möglichkeit haben, diese neuen, verbesserten audiophilen Komponenten mit unseren brandneuen KEY-Smart-Verstärkern und einem KICKER-Sub zu kombinieren – für ein Klangerlebnis, das Sie nicht vergessen werden!

Leistung

Model:	KSC270	KSC350	KSC40	KSC460	KSC4100	KSC50
Lautsprecher-Design	–	2-Weg	2-Weg	2-Weg	2-Weg	2-Weg
Tieftöner [in, mm]	2-3/4, 70	3-1/2, 89	4, 100	4x6, 100x160	4x10, 100x250	5-1/4, 130
Mitte [in, mm]	–	–	–	–	–	–
Hochtöner [in, mm]	–	1/2, 13	1/2, 13	1/2, 13	1/2, 13	3/4, 20
Nennimpedanz [Ω]	4	4	4	4	4	4
Spitzenbelastbarkeit [Watt]	100	100	150	150	150	150
Dauerbelastbarkeit [Watt RMS]	15-50	15-50	15-75	15-75	15-75	15-75
Sensitivität [1 W, 1 m]	85	88	88	88	88	90
Frequenzgang [Hz]	300-20k	80–20k	60–20k	50–20k	45–20k	45–21k
Durchmesser Montageloch [in, mm]	2-3/8, 61	3-1/16, 78	3-11/16, 94	4x5-5/16, 101x151	3-7/8x9-3/8, 99x238	4-1/2, 115
Tiefe Oberseitenmontage [in, mm]	1-1/4, 32	1-5/8, 42	1-13/16, 46	1-11/16, 44	2-3/8, 61	1-3/4, 45
Tiefe Unterseitenmontage [in, mm]	–	1-7/8, 49	2-1/16, 51	2, 51	2-13/16, 71	2, 52
Hochtöner-Überstand [in, mm]	0	1/16, 2	0	1/16, 2	0	0
Grill	Nein	Nein	Ja	Nein	Nein	Ja
Material Hochtönermagnet	–	Neodym	Neodym	Neodym	Neodym	Neodym
Material Hochtonkalotten	–	Silk	Silk	Silk	Silk	Silk
Design Hochtöner	–	Balancierte Kalotte	Balancierte Kalotte	Balancierte Kalotte	Balancierte Kalotte	Kalotte
Material Tieftönerkonus	Verbundpapier	Polypropylen	Polypropylen	Polypropylen	Polypropylen	Polypropylen
Material Tieftönersicken	UV-behandelter Stoff	Rubber	Rubber	Rubber	Rubber	Rubber

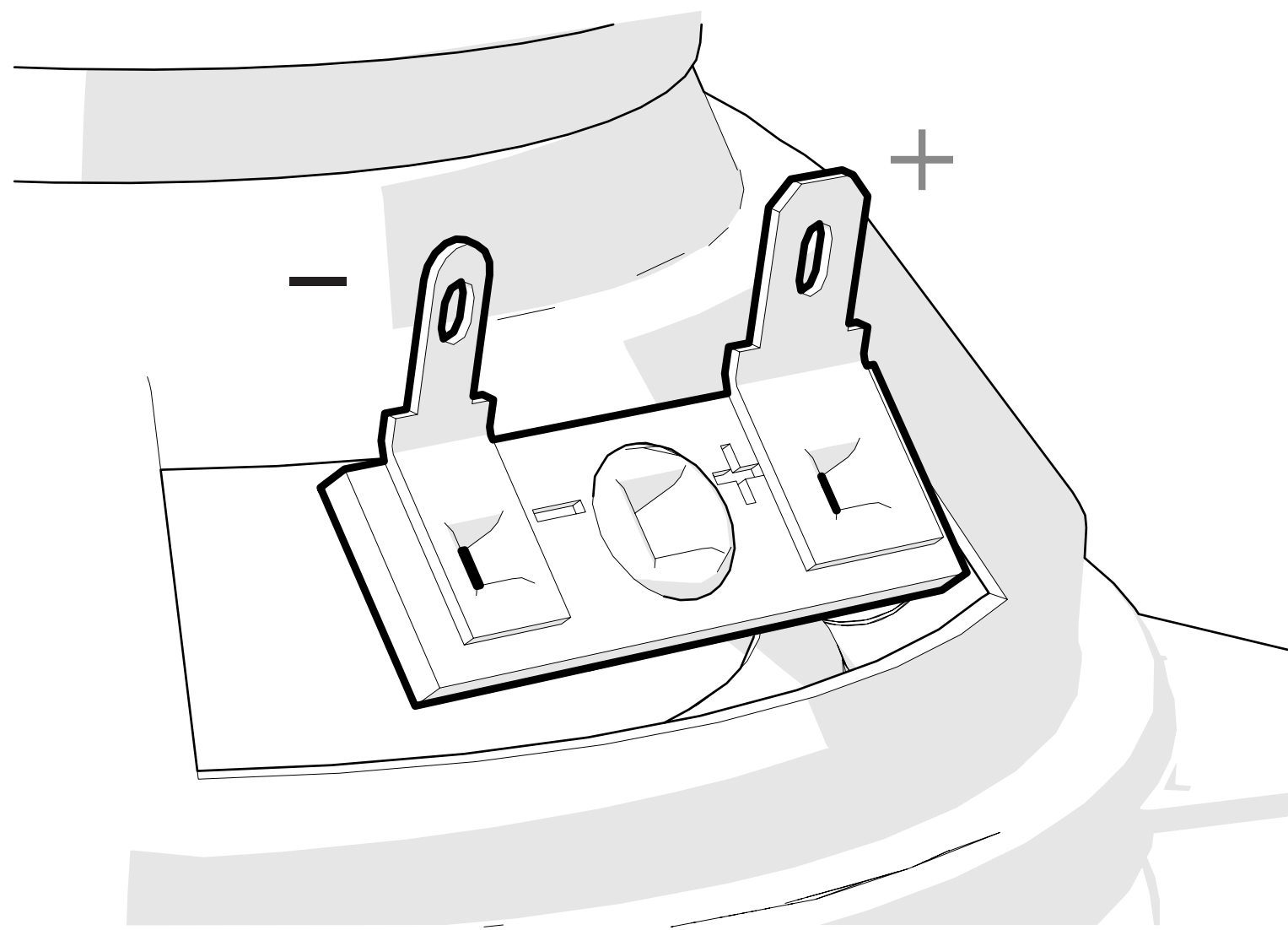
Model:	KSC650	KSC670	KSC680	KSC690	KSC6930
Lautsprecher-Design	2-Weg	2-Weg	2-Weg	2-Weg	3-Weg
Tieftöner [in, mm]	6-1/2, 160	6-3/4, 165	6x8, 160x200	6x9, 160x230	6x9, 160x230
Mitte [in, mm]	–	–	–	–	1, 25
Hochtöner [in, mm]	3/4, 20	3/4, 20	3/4, 20	1, 25	3/4, 20
Nennimpedanz [Ω]	4	4	4	4	4
Spitzenbelastbarkeit [Watt]	200	200	150	300	300
Dauerbelastbarkeit [Watt RMS]	15-100	15-100	15-75	15-150	15-150
Sensitivität [1 W, 1 m]	90	90	90	92	92
Frequenzgang [Hz]	43–21k	40–21k	45–21k	30–21k	30–21k
Durchmesser Montageloch [in, mm]	4-13/16, 123	5-9/16, 141	5x7-3/16, 127x182	5-11/16x8-7/16, 144x215	5-11/16x8-7/16, 144x215
Tiefe Oberseitenmontage [in, mm]	1-13/16, 46	1-13/16, 46	2-1/4, 58	3-3/16, 81	3-1/8, 80
Tiefe Unterseitenmontage [in, mm]	2-3/16, 54	2, 50	2-5/8, 67	3-11/16, 93	3-5/8, 92
Hochtöner-Überstand [in, mm]	0	0	1/16, 2	0	0
Grill	Ja	Ja	Nein	Ja	Ja
Material Hochtönermagnet	Neodym	Neodym	Neodym	Neodym	Neodym
Material Hochtonkalotten	Silk	Silk	Silk	Silk	Silk
Design Hochtöner	Kalotte	Kalotte	Kalotte	Kalotte	Kalotte
Material Tieftönerkonus	Polypropylen	Polypropylen	Polypropylen	Polypropylen	Polypropylen
Material Tieftönersicken	Rubber	Rubber	Rubber	Rubber	Rubber

Installation

Verkabelung

Wir empfehlen die Verwendung eines 16-Gauge-Lautsprecherkabels (oder mehr). Die KS-Koax haben eine Impedanz von 4 Ohm und sind für alle 4-ohmigen Quellen oder Verstärker geeignet.

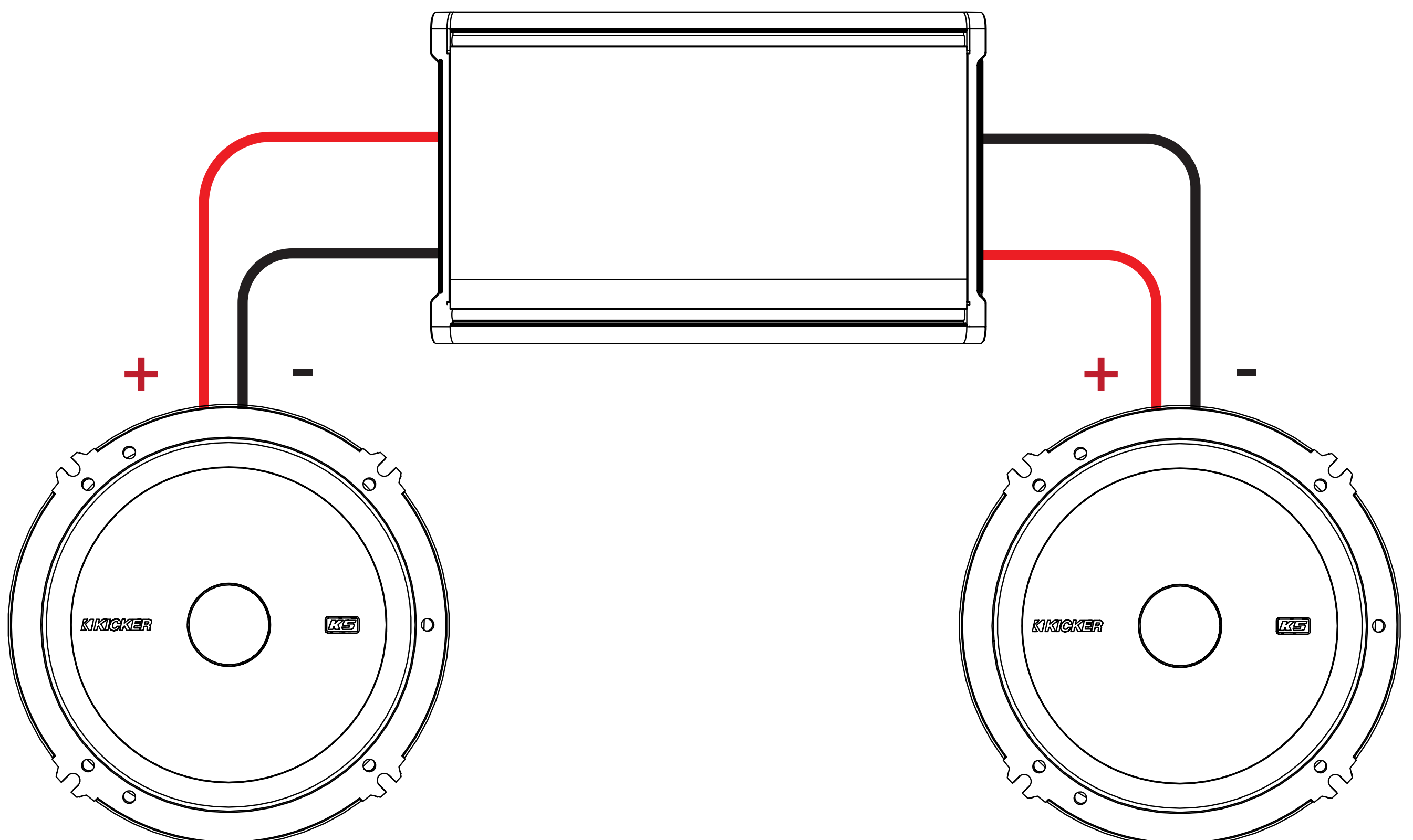
Vergewissern Sie sich, dass Ihre Quelle oder Verstärker für 4-Ohm-Betrieb ausgelegt ist.



Schließen Sie die Kabel an die Klemmen an.

STANDARD STEREO VERKABELUNG

Mindestimpedanz von 4 Ohm pro Kanal

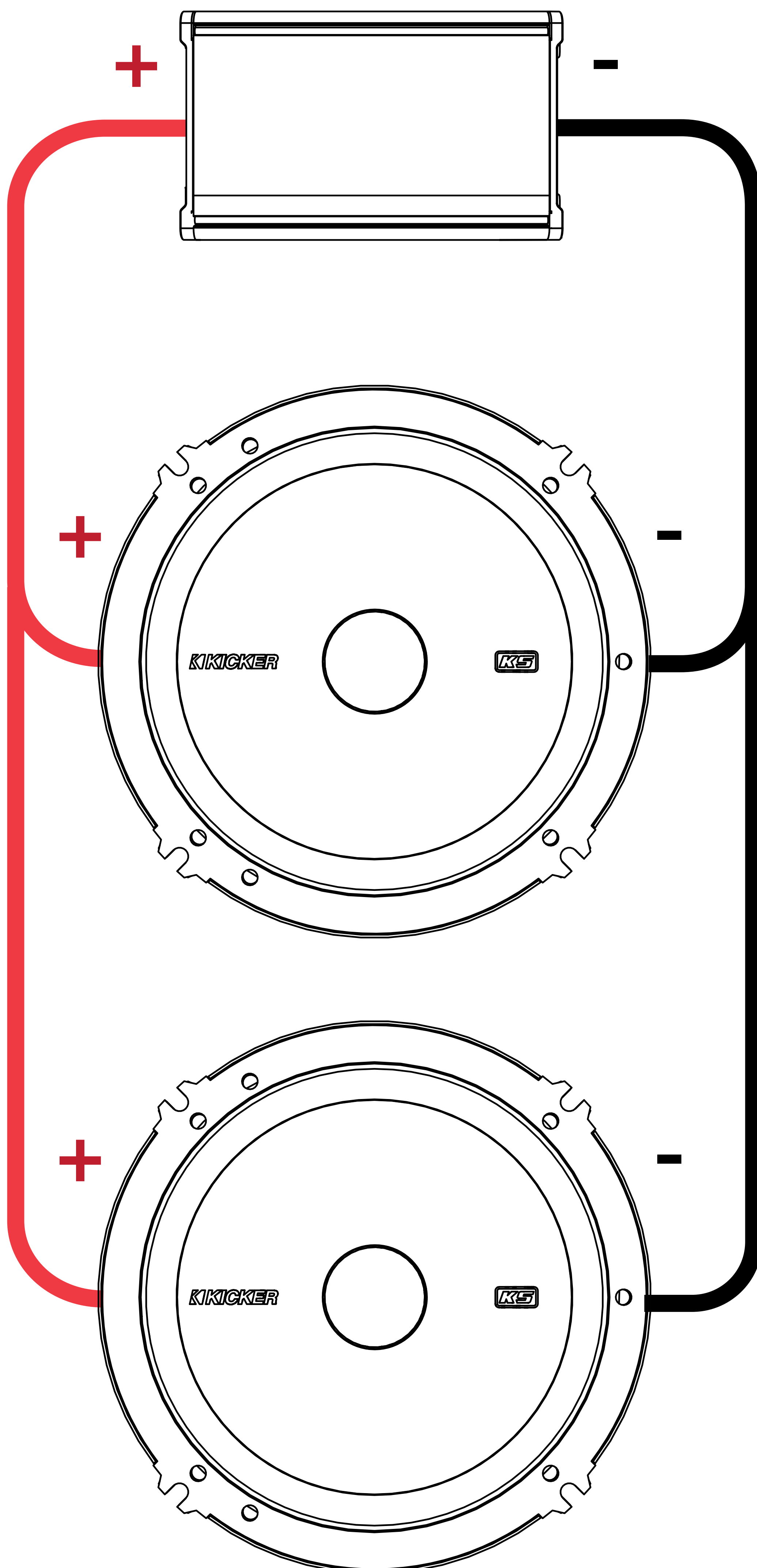


PARALLELKABEL

Zwei KS Koax-Systems an einen einzelnen Kanal
Paralleler

Total Impedanz: 2 ohms

Für den Stereobetrieb sind mindestens zwei Verstärkerkanäle erforderlich (Es wird nur ein Kanal dargestellt).

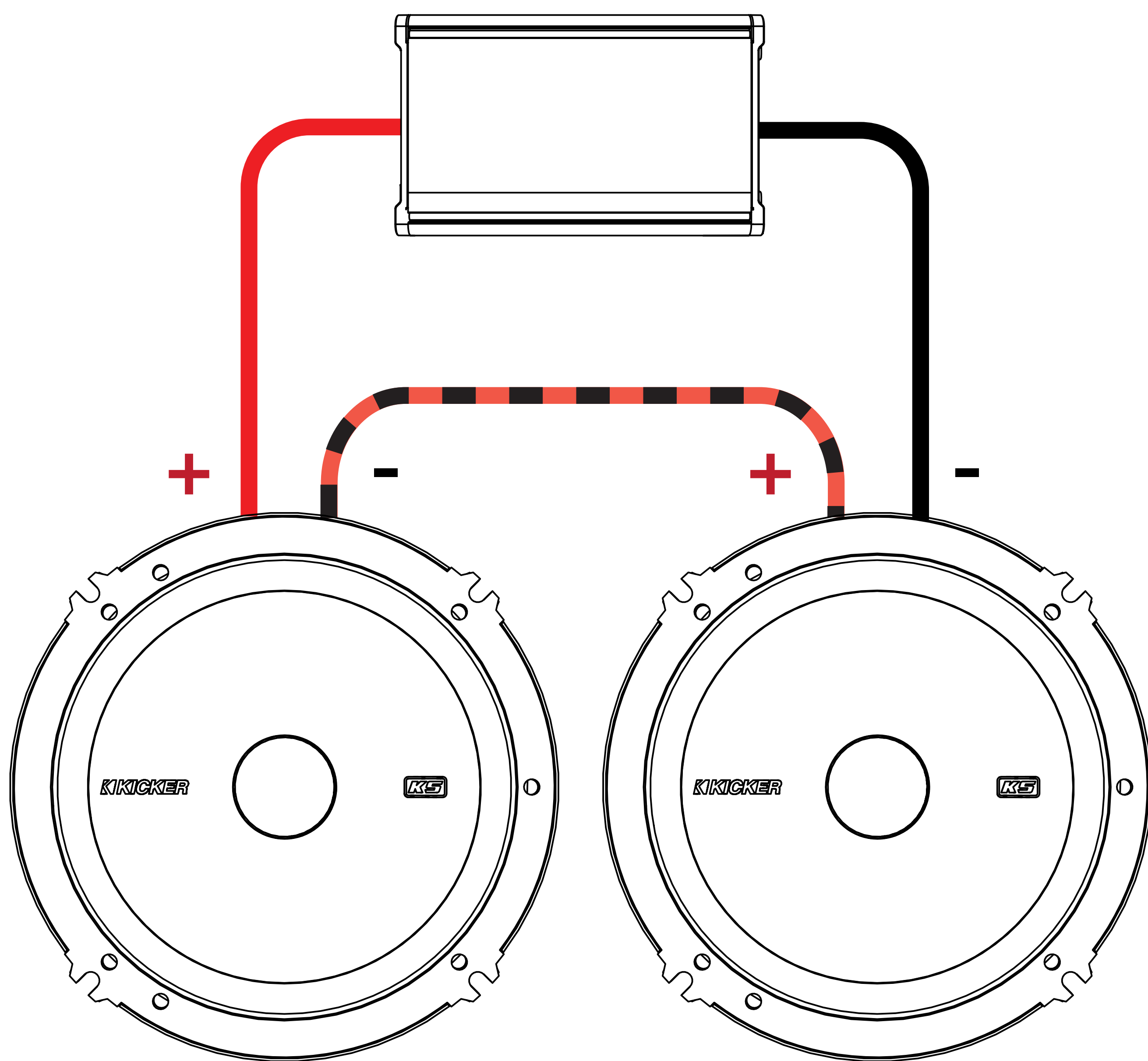


SERIE VERKABELUNG

Zwei KS Koax-Systems an einen einzelnen Kanal anschließen

Total Impedanz: 8 ohms

Für den Stereobetrieb sind mindestens zwei Verstärkerkanäle erforderlich (Es wird nur ein Kanal dargestellt).



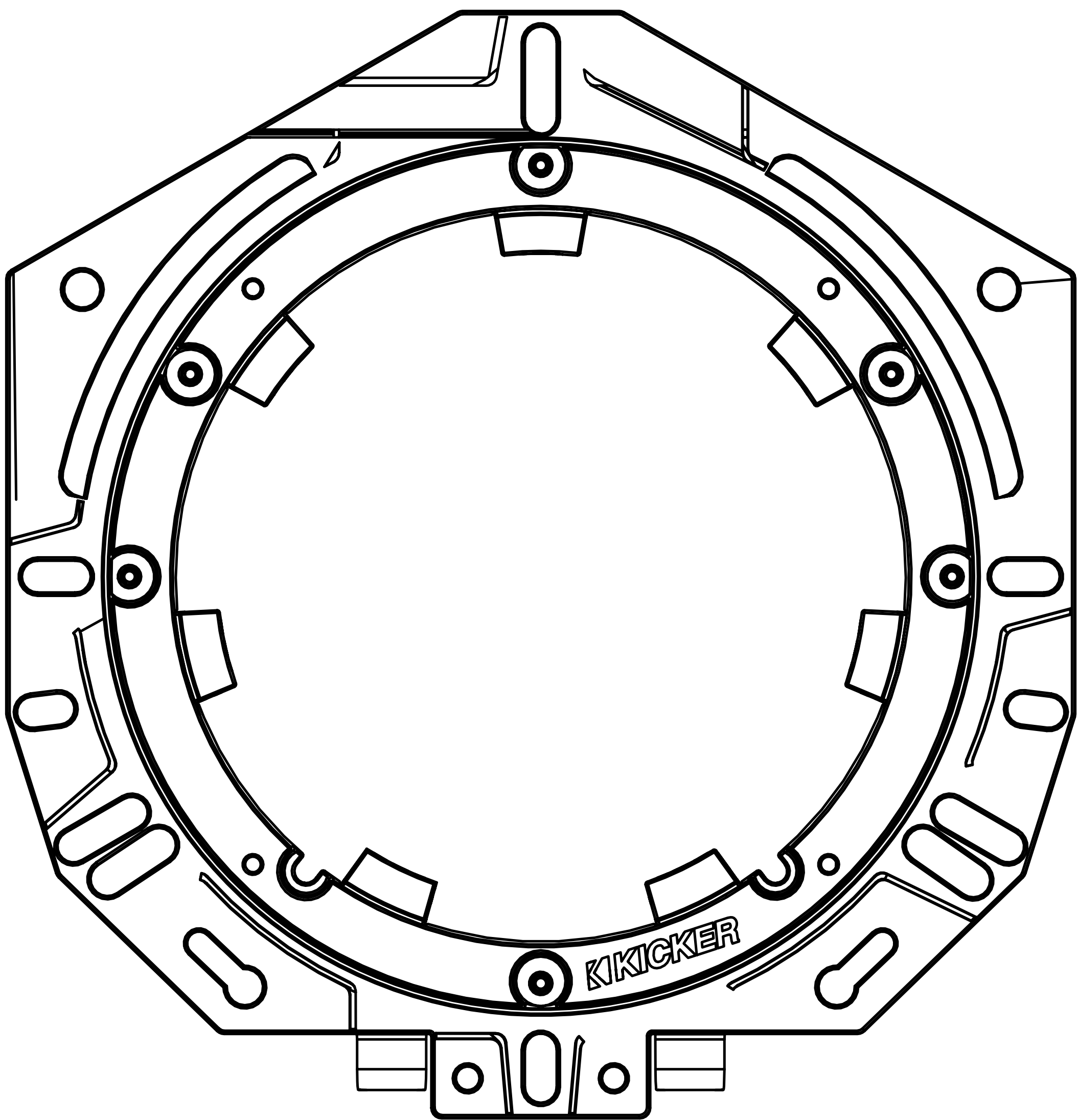
Montage

Ihre Kicker KS-Koax sind speziell für den Einbau in nicht geschlossenen Gehäusen gedacht. Die Lautsprecher benötigen kein geschlossenes Gehäuse, um optimale Leistung zu bieten. Es ist wichtig, den vorne aus dem Treiber austretenden Schall vom Schall zu trennen, der von der Rückseite des Treibers kommt. Diese Trennung wird meist durch den Einbau an einer werksseitig vorgewählten Stelle erreicht, oder an einer Stelle mit semiisoliertem Rückraum.

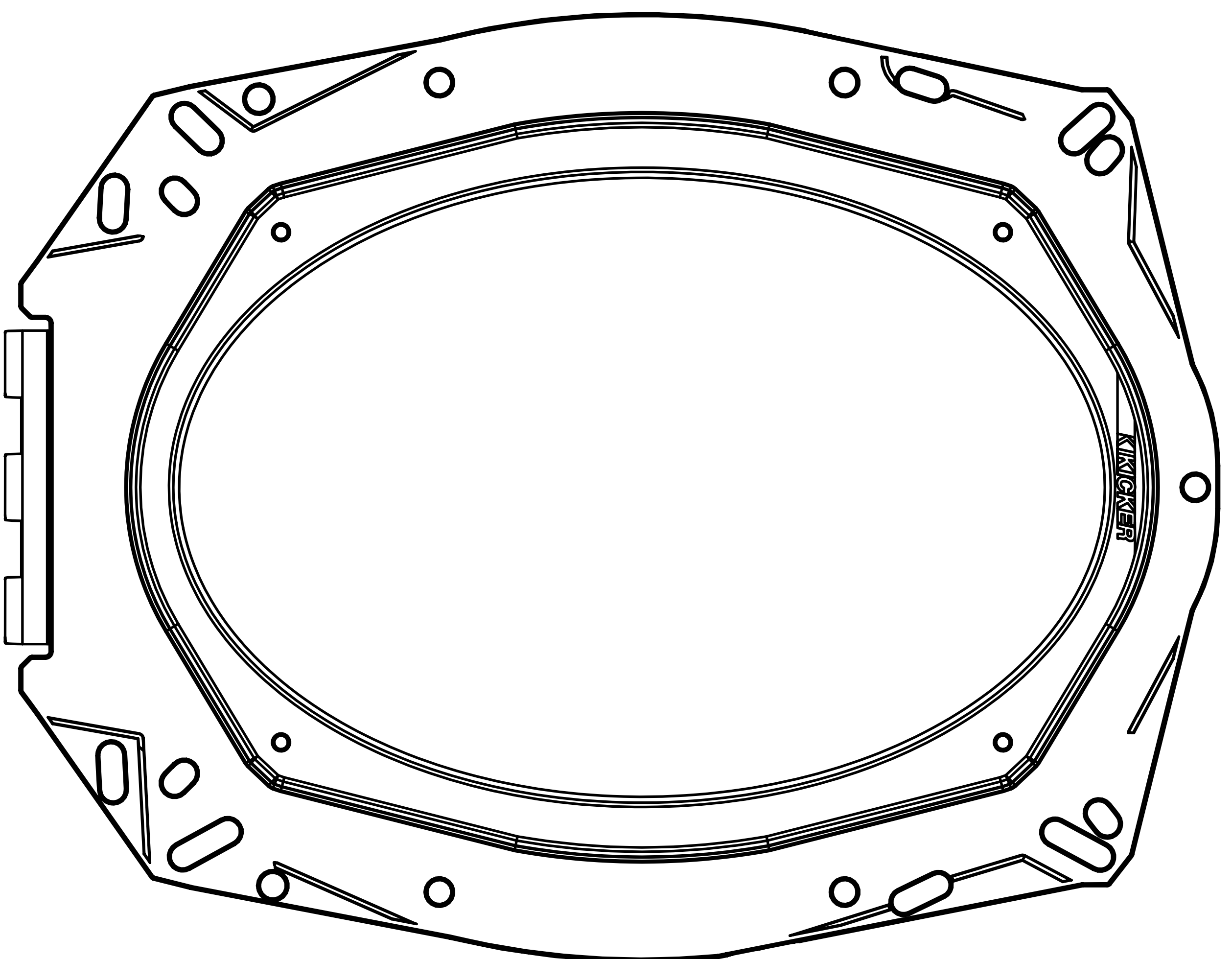
Wenn Sie die werkseitigen Lautsprecher an ihren ursprünglichen Positionen durch die KSC65, KSC67 oder KSC69 ersetzen, müssen Sie möglicherweise den mitgelieferten Mehrzweckadapter verwenden oder ihn so modifizieren, dass er Ihren erforderlichen Schraubenmustern entspricht. Möglicherweise müssen Sie auch die Lautsprecherausschnitte vergrößern und neue Schraubenlöcher mit einem 2,5-mm-Bohrer vorbohren. Spezielle Montagestellen erfordern mehr Vorbereitung und Arbeit. Stellen Sie auf jeden Fall sicher, dass der Lautsprecher nicht das Öffnen und Schließen der Kofferraumklappe bzw. Tür behindert und dass die beiliegenden Schrauben nicht in den Treibstofftank oder Kabel eindringen bzw. andere mechanische Elemente an der Unterseite der Montageoberfläche beschädigen. Fahren Sie die Fenster ganz nach unten und oben.

Diese Adapter mit mehreren Halterungen helfen dabei, die KS-Lautsprecher an Werks- oder kundenspezifischen Standorten unterzubringen. Möglicherweise müssen Sie Teile abschneiden oder diese Adapter anderweitig an Ihr Fahrzeug oder Ihre Anwendung anpassen.

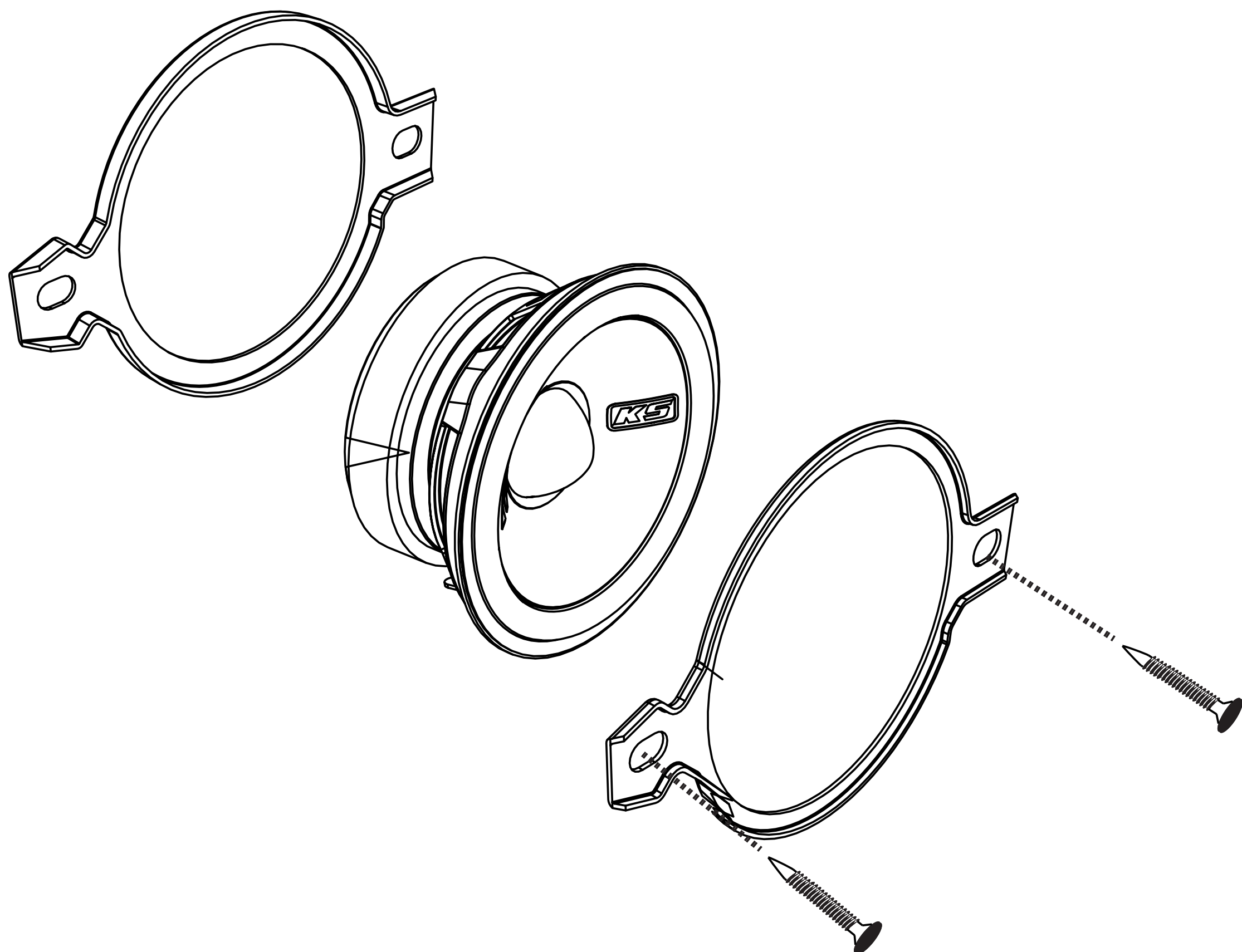
KS65/KS67 ADAPTER



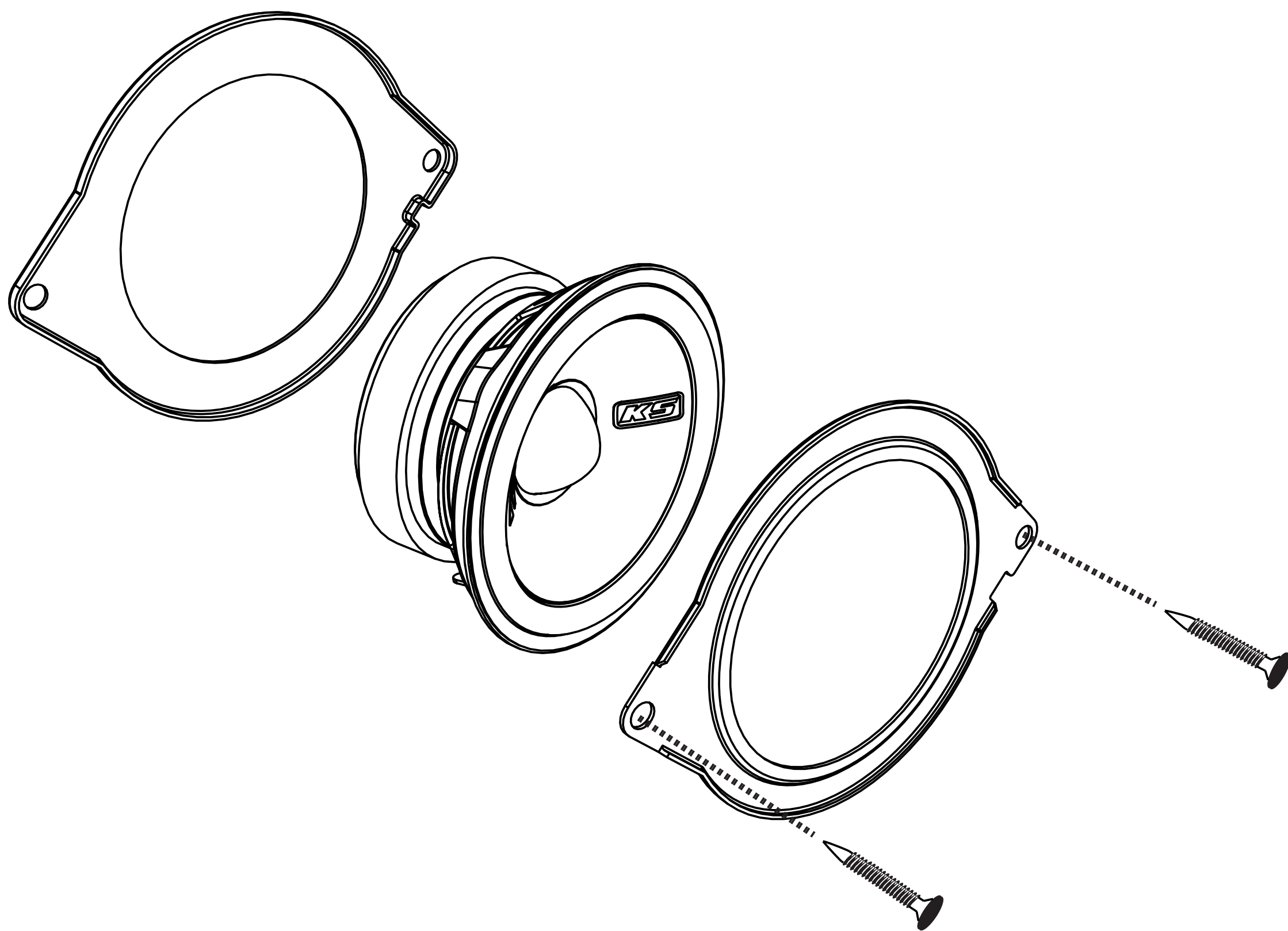
KS69 ADAPTER



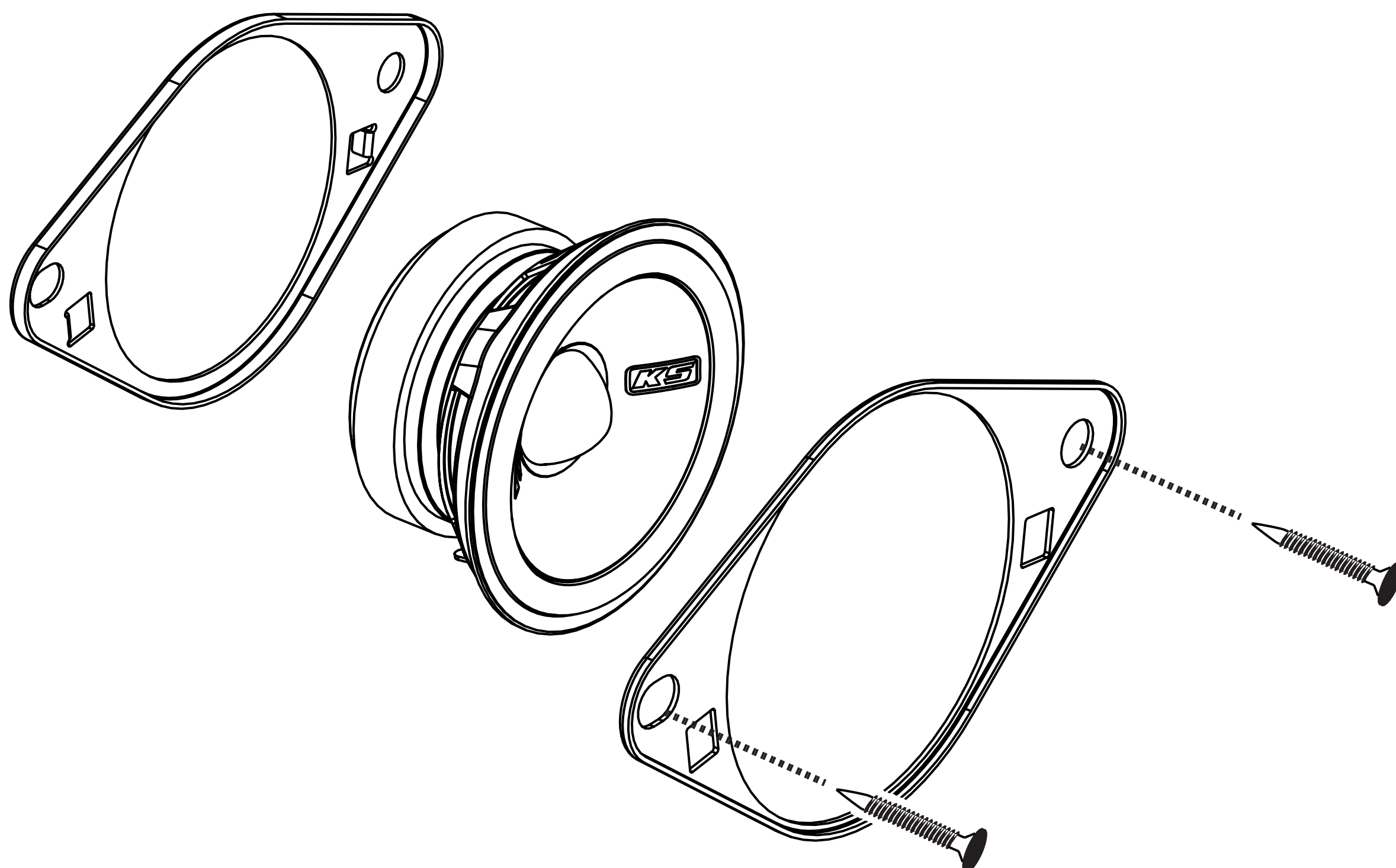
KS270 ADAPTER - GM/CHRYSLER



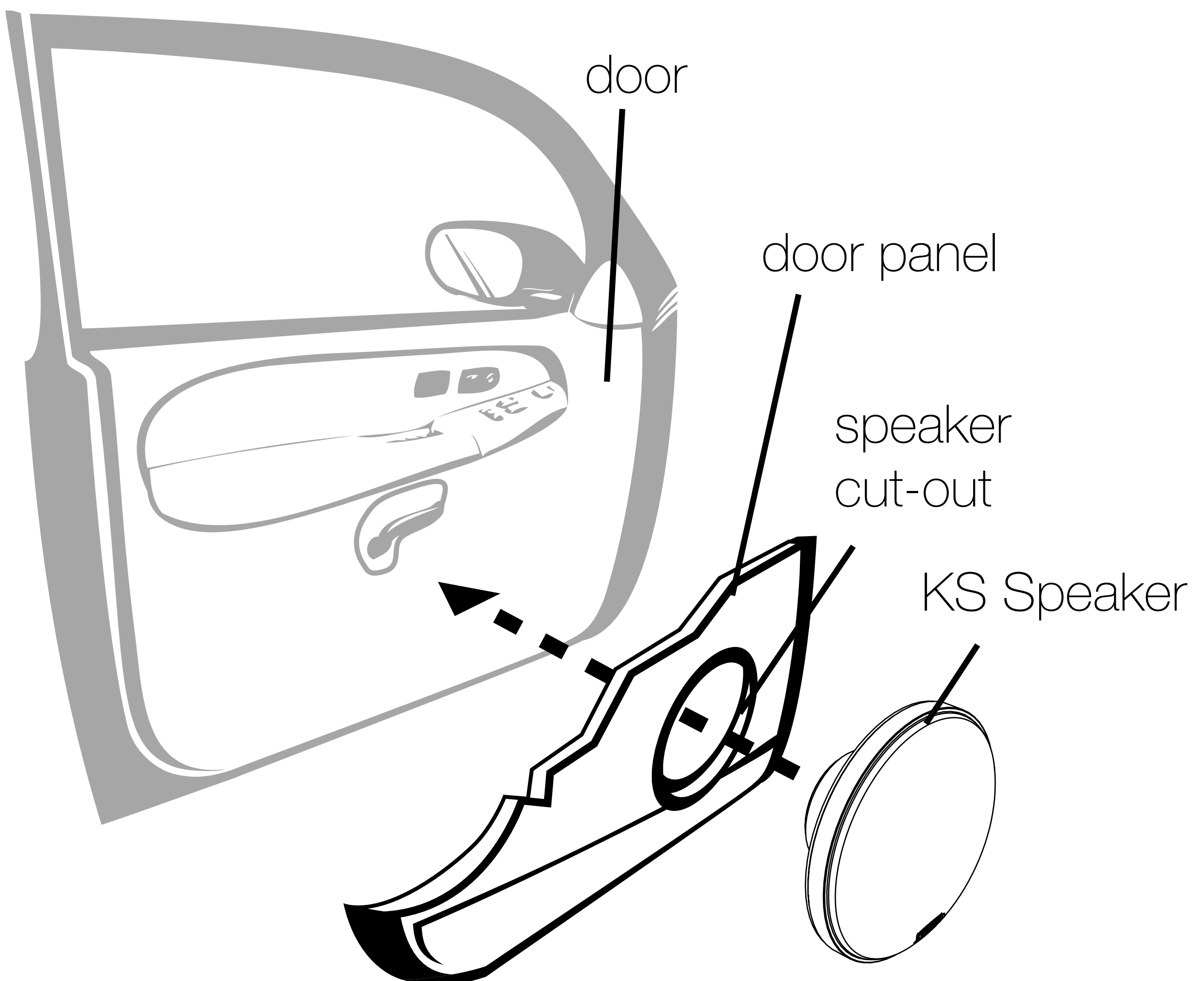
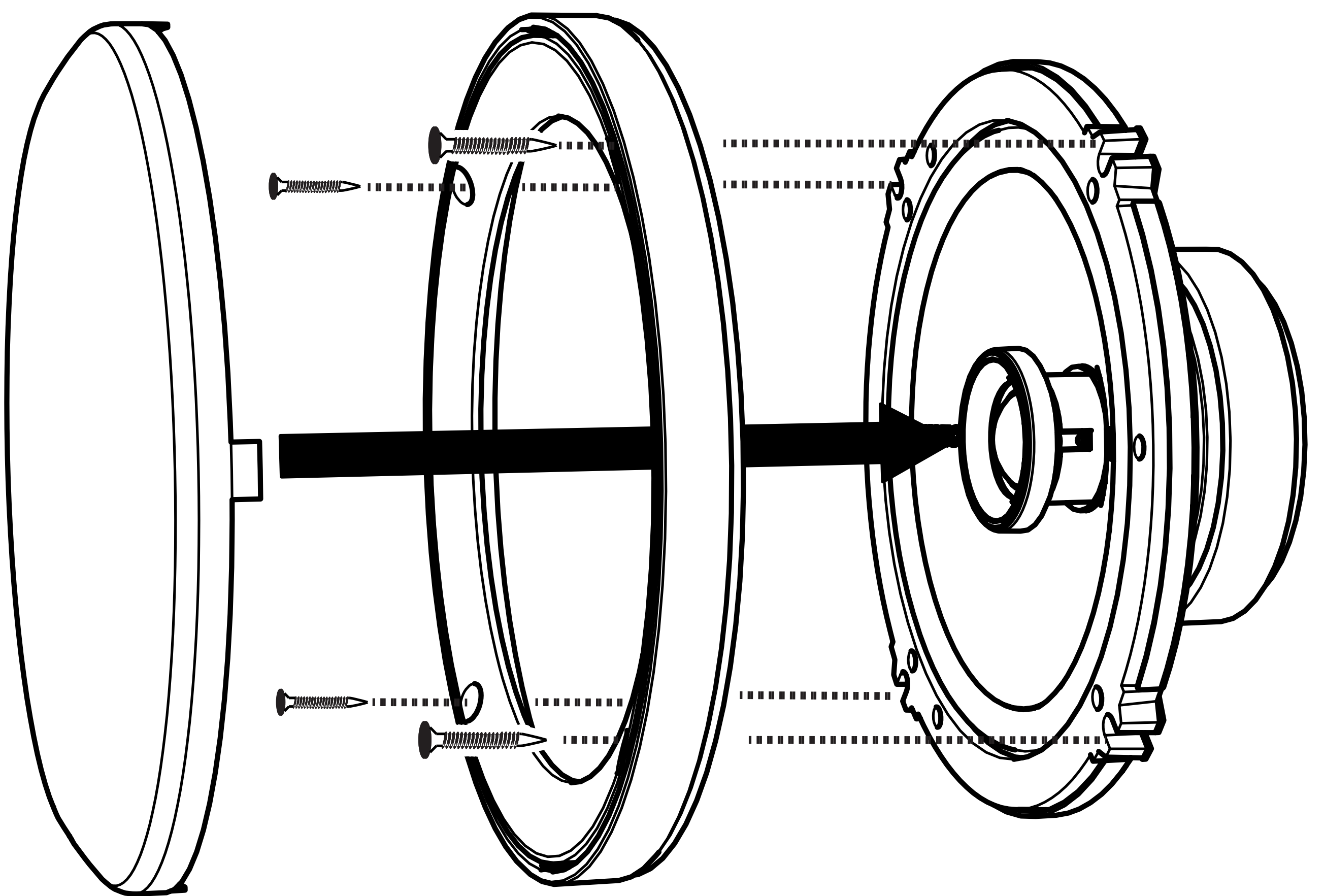
KS270 ADAPTER - CHRYSLER/JEEP



KS270 ADAPTER - TOYOTA/SUBARU



Secure speaker to desired location



Garantía | Garantie

Contact your International KICKER dealer or distributor concerning specific procedures for your country's warranty policies.

Our goods come with guarantees that cannot be excluded under the **Australian Consumer Law**. You are entitled to a replacement or refund for a major failure and for compensation for any other reasonably foreseeable loss or damage. You are also entitled to have the goods repaired or replaced if the goods fail to be of acceptable quality and the failure does not amount to a major failure.

GARANTÍA INTERNACIONAL **Versión Español**

Comuníquese con su concesionario o distribuidor KICKER internacional para obtener información sobre procedimientos específicos relacionados con las normas de garantía de su país.

La frase "combustible para vivir la vida Livin' Loud™ a todo volumen" se refiere al entusiasmo por la vida que la marca KICKER de estéreos de automóvil representa y a la recomendación a nuestros clientes de que vivan lo mejor posible ("a todo volumen") en todo sentido. La línea de altavoces y amplificadores KICKER es la mejor del mercado de audio de automóviles y por lo tanto representa el "combustible" para vivir a todo volumen en el área de "estéreos de automóvil" de la vida de nuestros clientes. Recomendamos a todos nuestros clientes que obedezcan todas las reglas y reglamentos locales sobre ruido en cuanto a los niveles legales y apropiados de audición fuera del vehículo.

INTERNATIONALE GARANTIE **Deutsche Version**

Nehmen Sie mit Ihren internationalen KICKER-Fachhändler oder Vertrieb Kontakt auf, um Details über die Garantieleistungen in Ihrem Land zu erfahren.

Der Slogan "Treibstoff für Livin' Loud" bezieht sich auf die mit den KICKER-Autostereosystemen assoziierte Lebensfreude und die Tatsache, dass wir unsere Kunden ermutigen, in allen Aspekten ihres Lebens nach dem Besten ("Livin' Loud") zu streben. Die Lautsprecher und Verstärker von KICKER sind auf dem Markt für Auto-Soundsysteme führend und stellen somit den "Treibstoff" für das Autostereoerlebnis unserer Kunden dar. Wir empfehlen allen unseren Kunden, sich bezüglich der zugelassenen und passenden Lautstärkepegel außerhalb des Autos an die örtlichen Lärmvorschriften zu halten.

GARANTIE INTERNATIONALE **Version Française**

Pour connaître les procédures propres à la politique de garantie de votre pays, contactez votre revendeur ou distributeur International KICKER.

L'expression "carburant pour vivre plein pot" fait référence au dynamisme de la marque KICKER d'équipements audio pour véhicules et a pour but d'encourager nos clients à faire le maximum ("vivre plein pot") dans tous les aspects de leur vie. Les haut-parleurs et amplificateurs KICKER sont les meilleurs dans le domaine des équipements audio et représentent donc pour nos clients le "carburant pour vivre plein pot" dans l'aspect "installation audio de véhicule" de leur vie. Nous encourageons tous nos clients à respecter toutes les lois et réglementations locales relatives aux niveaux sonores acceptables à l'extérieur des véhicules.

P.O. Box 459

Stillwater, Oklahoma 74076

USA

(405) 624-8510

 **stillwaterdesigns**