

KICKER®

46CXA400.1

400 Watt Class D Mono Amplifier, RoHS Compliant

Specifications

Electrical Parameters

Power (@14.4V, <1%THD+N)	4Ω	150W x 1
Power (@14.4V, <1%THD+N)	2Ω	300W x 1
Power (@14.4V, <1%THD+N)	1Ω	400W x 1
Lowest Rated Impedance		1Ω
Signal to Noise Ratio (CEA)	1W	>-75dB
Signal to Noise Ratio	Rated Power	>-95dB
CMRR	50Hz	-40dB
Input Impedance		>100kΩ
Frequency Response		25Hz - 200Hz
Variable LoPass Filter	12dB / Octave BW	50Hz - 200Hz
Fixed Subsonic Filter	24dB / Octave BW	25Hz
KickEQ™ Variable Bass Boost	40Hz	0dB - 6dB
Standby Current (Remote Off)		<2mA
Idle Current (Remote On)		<3A
Current Draw (Rated Power)		<40A
Remote Gain Attenuation		-26dB - 0dB
Low Level Input Sensitivity		125mV - 5V
High Level Input Sensitivity		1V - 40V
Under Voltage Protection		8V (warning at 10.5V)
Over Voltage Protection		16V

What's in the box?

46CXA400.1

CX Amplifiers Owner's Manual

KICKER® Power Chart

Hardware Pack - 3mm hex key, mounting hardware, and vertical mounting brackets

Physical Materials

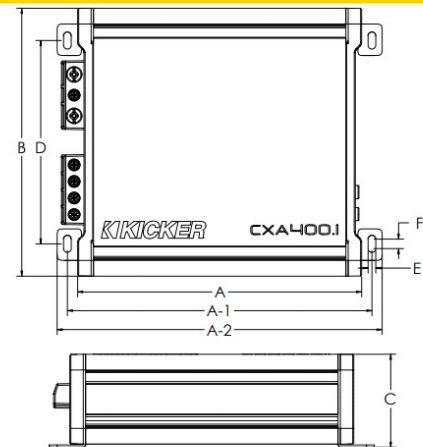
Heat Sink	UV Treated Anodized Extruded Aluminum
End Plate	Powder Coated Stamped Steel
End Plate Trim	Painted Injection Molded ABS Plastic
Bottom Plate	Powder Coated Stamped Steel
Vertical Mounting Brackets	Powder Coated Stamped Steel



Features

- Variable Active Crossover for ideal speaker matching
- Subsonic Filter for subwoofer protection
- Compatible with Start/Stop vehicle technology
- Vertical Mounting Hardware included for another unique look
- KickEQ™ Bass Boost for additional low frequencies
- FIT+™ Differential Inputs - near universal compatibility with source units
- Remote Output Level Control with CXARC (sold separately)
- Compact Footprint fits almost anywhere

Unit Dimensions

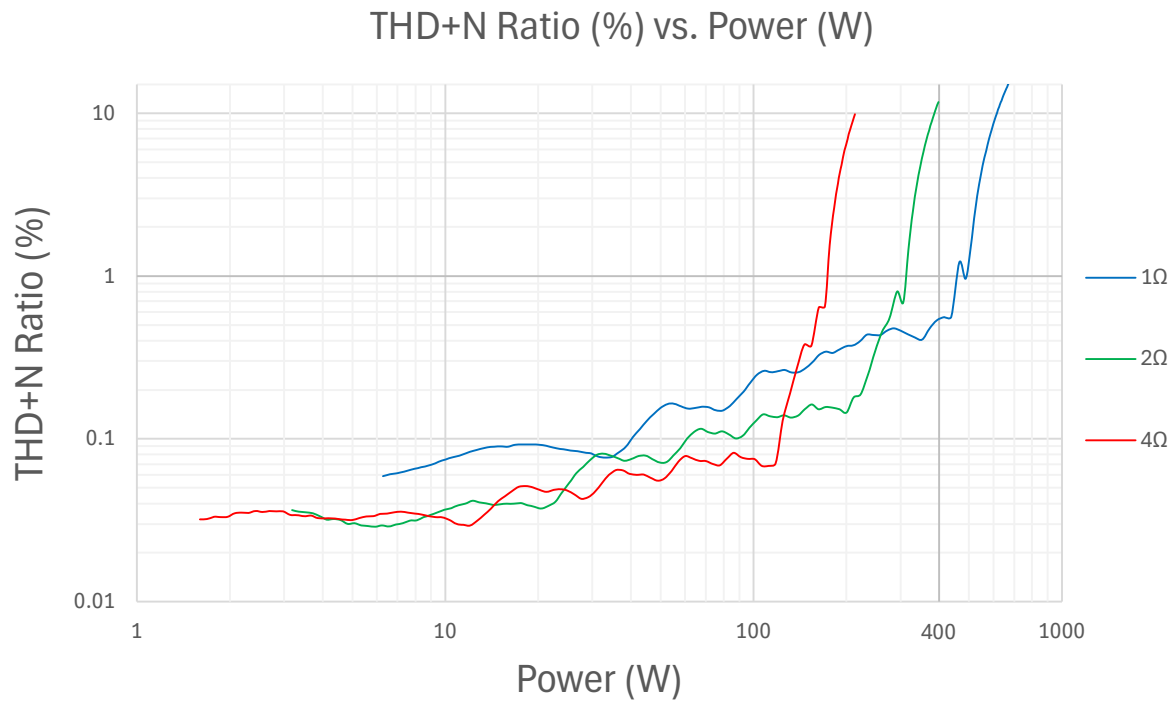


* The use of vertical mounting brackets adds 4.4mm to total length and 4.5mm to total width

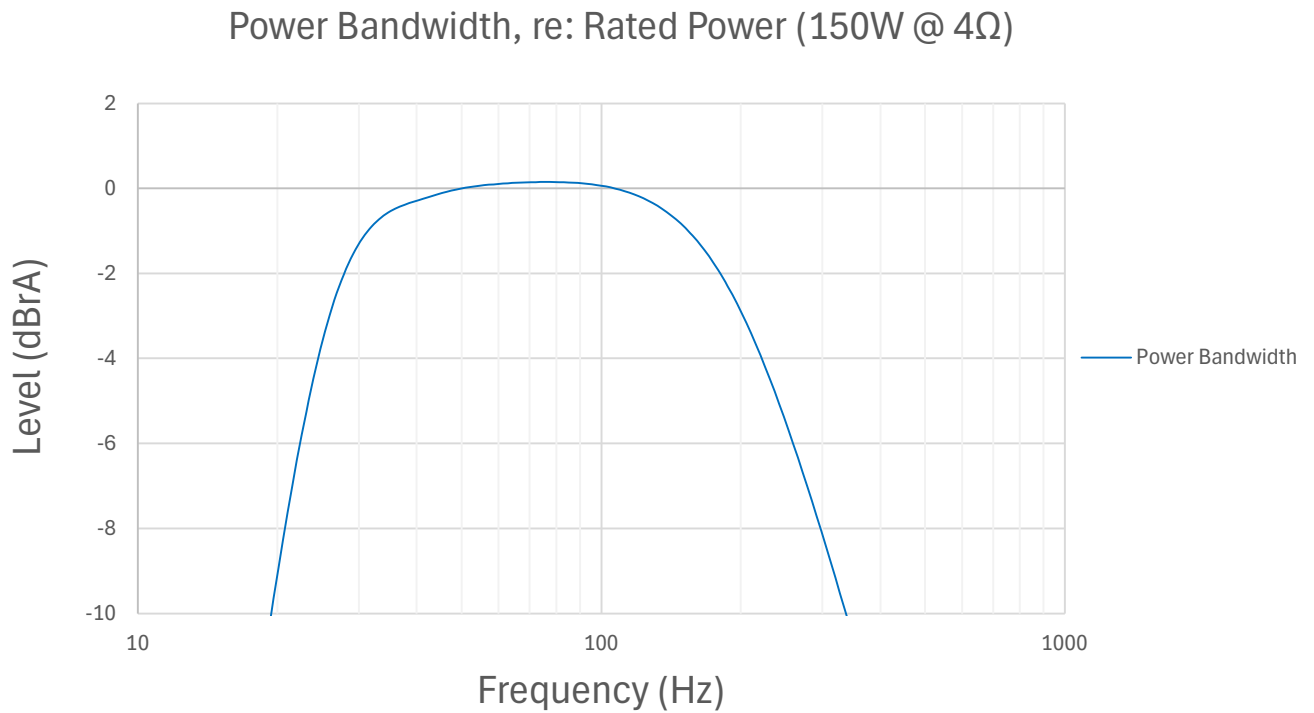
A - Chassis Length	7-3/32"	180.0mm
A-1 - Mounting Holes Location - Length	7-19/32"	193.0mm
A-2 - Overall Length	8-1/8"	206.0mm
B - Overall Width	6-11/16"	170.0mm
C - Overall Height	2-5/16"	59.0mm
D - Mounting Holes Location - Width	5-3/32"	129.0mm
E - Mounting Holes Diameter	3/16"	4.9mm
F - Mounting Holes Width	1/4"	6.0mm

Technical Graph Data

THD+N vs. Power (W) @14.4VDC

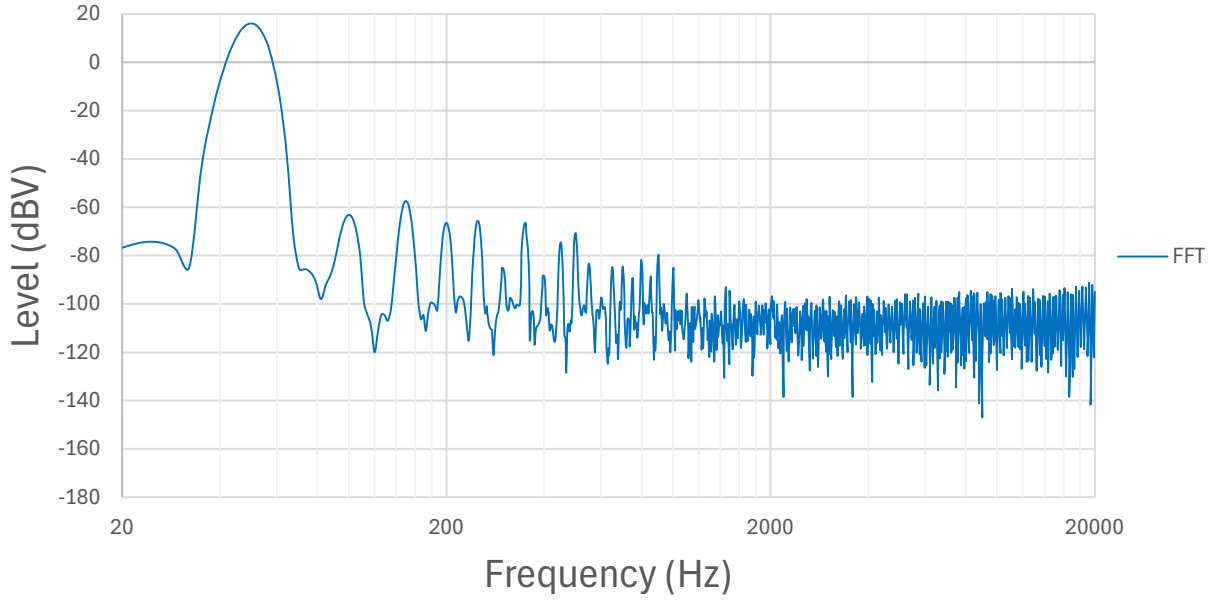


Power Bandwidth (4Ω) @14.4VDC



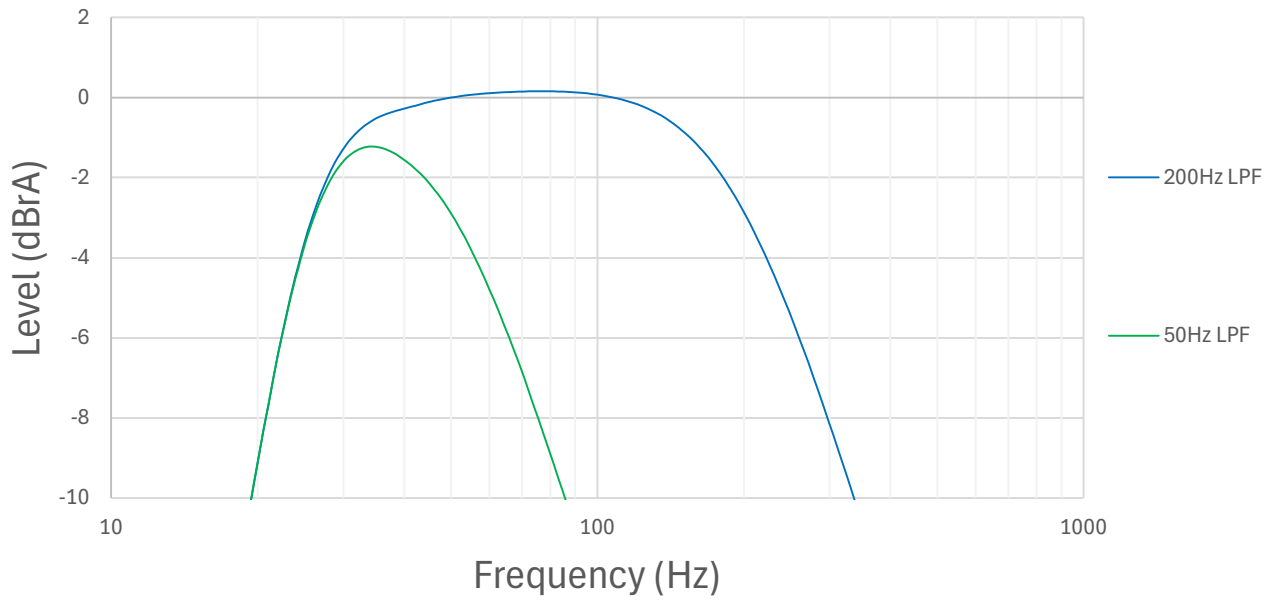
FFT

FFT (50Hz Signal)



Crossover Frequency Response

Crossover Frequency Response



KickEQ™

