

KICKER®

48KMA150.2

2x75W 2-Ch Weather-Resistant Full-Range Amp; RoHS Compliant

Specifications

Electrical Parameters

Power (@14.4V, <1%THD+N)	4Ω Stereo	40W x 2
Power (@14.4V, <1%THD+N)	2Ω Stereo	75W x 2
Power (@14.4V, <1%THD+N)	4Ω Bridged	150W x 1
Dynamic Power (@14.4V, <10%THD+N)	4Ω Bridged	190W
Lowest Rated Impedance		2Ω Stereo / 4Ω Bridged
Signal to Noise Ratio (CEA)	1W	>-75dB
Signal to Noise Ratio	Rated Power	>-95dB
Channel Separation (Rated Power)	1000Hz	>55dB
CMRR	1000Hz	-40dB
Input Impedance		>20kΩ
Frequency Response		10Hz - 20kHz
Variable HiPass Filter	12dB / Octave BW	50Hz - 200Hz
Variable LoPass Filter	12dB / Octave BW	50Hz - 200Hz
KickEQ™ Variable Bass Boost	40Hz	0dB - 6dB
Standby Current (Remote Off)		<2mA
Idle Current (Remote On)		<3A
Current Draw (Rated Power)		<40A
Low Level Input Sensitivity		125mV - 5V
High Level Input Sensitivity		250mV - 10V
Under Voltage Protection		10V
Over Voltage Protection		16V

What's in the box?

48KMA150.2

KICKER® Power Chart

Birth Certificate

KMA Multichannel Customer Information Card

Hardware Pack - Stainless-Steel Mounting Hardware

Physical Materials

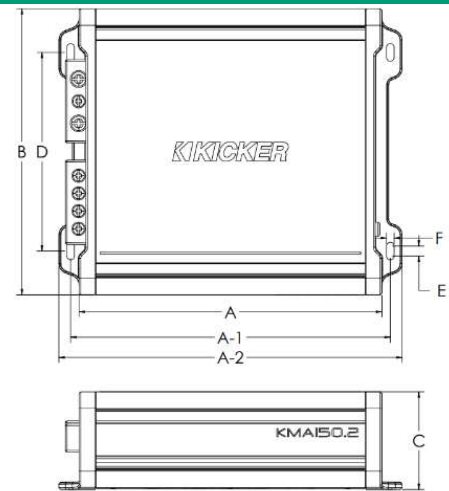
Heat Sink	UV Treated Anodized Extruded Aluminum
End Plate	Powder Coated Stamped Aluminum
End Plate Trim	Painted Injection Molded ABS Plastic
Bottom Plate	Powder Coated Stamped Aluminum



Features

- KICKER Real Marine™ Designed for Marine Environments
- Variable Active Crossover for Ideal Speaker Matching
- KickEQ™ Bass Boost for Additional Low Frequencies
- Conformal Coated Printed Circuit Board
- UV Treated Aluminum Chassis
- ABYC/NMMA - Compliant Power Terminals

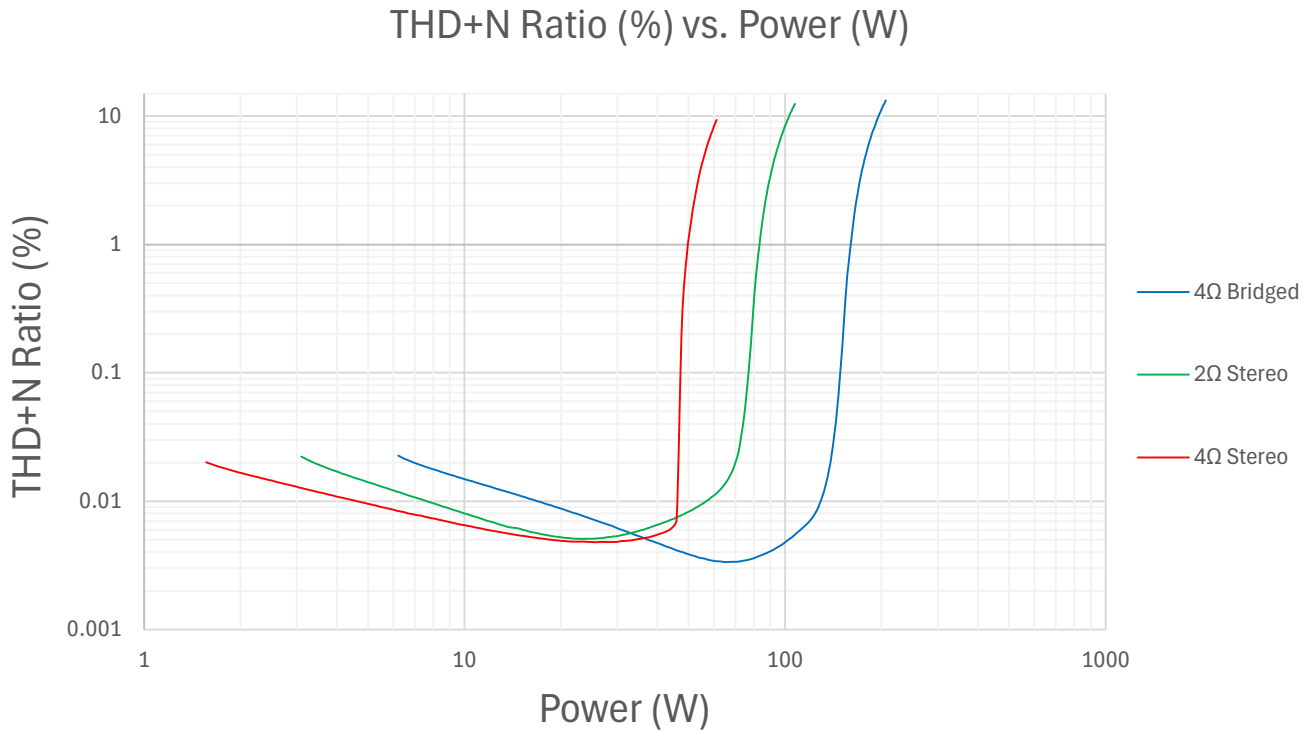
Unit Dimensions



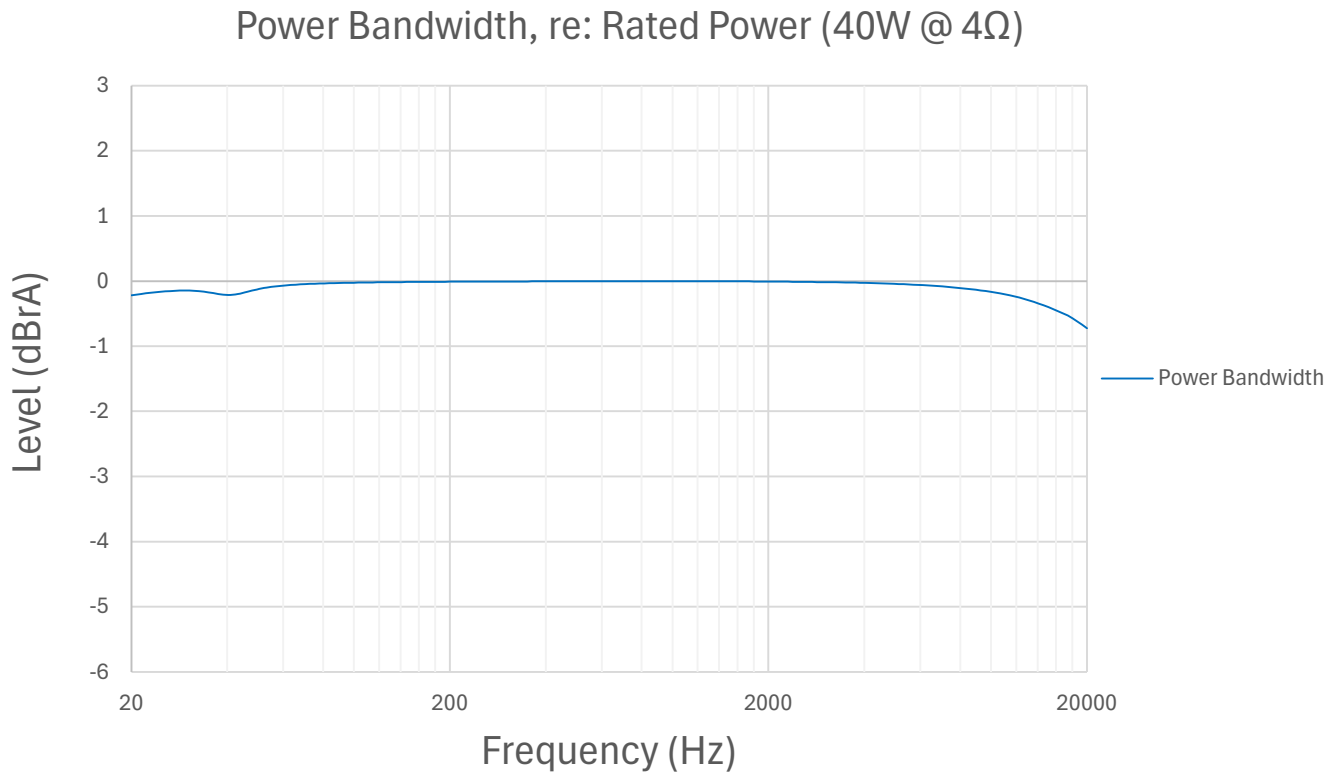
A - Chassis Length	7-3/32"	180.0mm
A-1 - Mounting Holes Location - Length	7-15/32"	190.0mm
A-2 - Overall Length	8-1/32"	204.0mm
B - Overall Width	6-11/16"	170.0mm
C - Overall Height	2-9/32"	58.0mm
D - Mounting Holes Location - Width	4-21/32"	118.0mm
E - Mounting Hole Width	1/4"	6.0mm
F - Mounting Hole Diameter	3/16"	4.5mm

Technical Graph Data

THD+N vs. Power (W) @14.4VDC

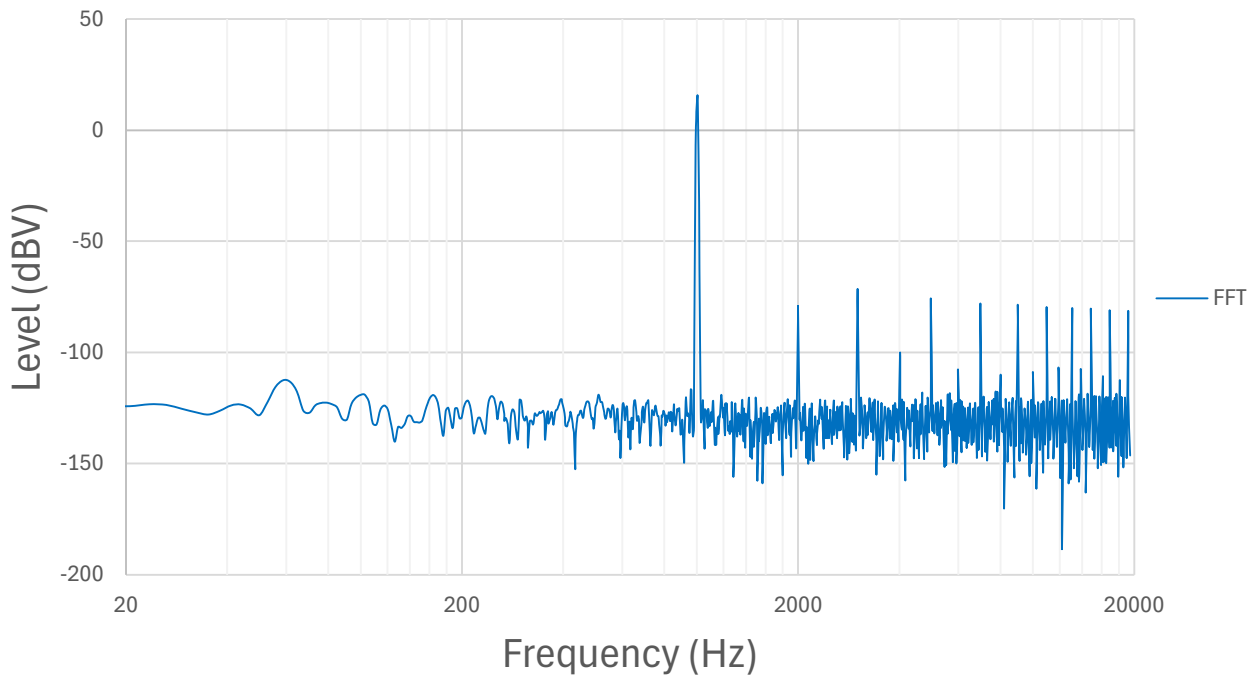


Power Bandwidth (4Ω) @14.4VDC



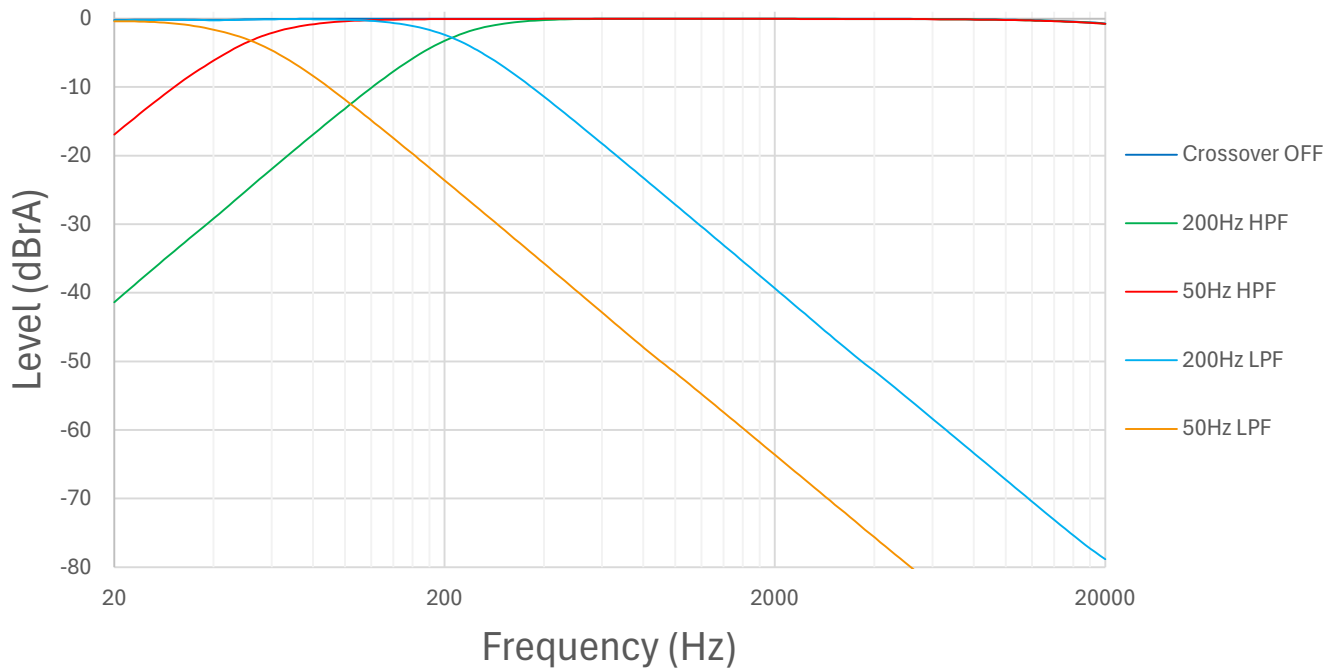
FFT

FFT (1kHz Signal)



Crossover Frequency Response

Crossover Frequency Response



KickEQ™

