

KICKER®

48PXA300.1

Waterproof 300 Watt Mono Class-D Sub Amp; RoHS Compliant

Specifications

Electrical Parameters

Power (@14.4V, <1%THD+N)	4Ω	150W x 1
Power (@14.4V, <1%THD+N)	2Ω	250W x 1
Power (@14.4V, <1%THD+N)	1Ω	300W x 1
Dynamic Power (@14.4V, <10%THD+N)	1Ω	500W
Lowest Rated Impedance		1Ω
Signal to Noise Ratio (CEA)	1W	>-75dB
Signal to Noise Ratio	Rated Power	>-95dB
CMRR	50Hz	-40dB
Input Impedance		>20kΩ
Frequency Response		25Hz - 200Hz
Selectable LoPass Filter	12dB / Octave BW	60Hz, 80Hz, 100Hz, 120Hz
Fixed Subsonic Filter	24dB / Octave BW	25Hz
KickEQ™ Selectable Bass Boost	40Hz	0dB, 6dB
Standby Current (Remote Off)		<2mA
Idle Current (Remote On)		<3A
Current Draw (Rated Power)		<40A
Remote Gain Attenuation		-26dB - 0dB
Low Level Input Sensitivity		125mV - 5V
High Level Input Sensitivity		1V - 40V
Under Voltage Protection		8.5V (warning at 10.5V)
Over Voltage Protection		16V

What's in the box?

48PXA300.1
Mono PXA Customer Information Card
Stainless Steel Mounting Hardware
2 DC Power Wire Couplers

Physical Materials

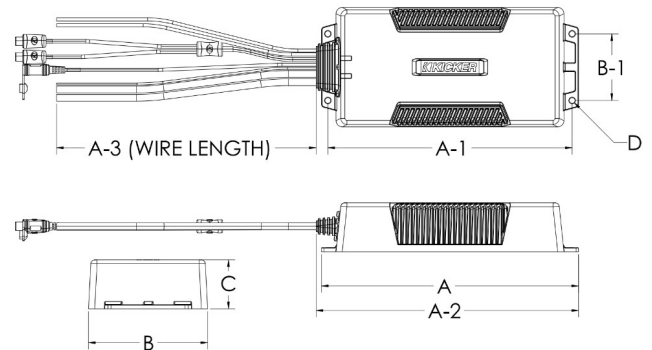
Heat Sink	Powder Coated Die Cast Aluminum
Bottom Panel	Anodized Stamped Aluminum
Signal Wire Pigtail	Twisted Pair Conductor RCA
Power Wire Pigtail	8AWG OFC Power and Ground/16AWG OFC Remote
Speaker Wire Pigtail	12AWG OFC Sub



Features

- IP66/IP67 Certified Waterproof Amplifier Design
- Inline Power and Ground Couplers that need no soldering or crimping
- Intelligent Thermal Rollback for All-day play time
- Subsonic Filter for subwoofer protection
- KickEQ™ Bass Boost
- Compact Footprint - Ideal for space challenged vehicles
- Remote Output Level Control with CXARC (sold separately)

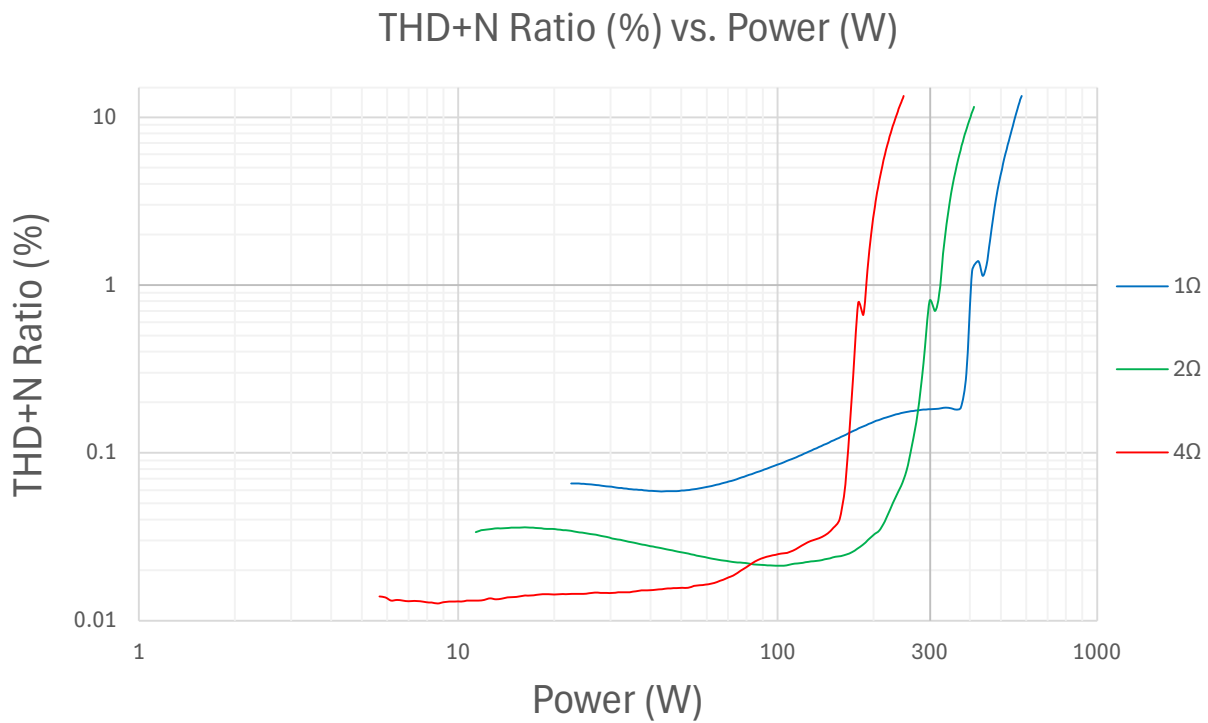
Unit Dimensions



A - Overall Length	9-3/4"	247.5mm
A-1 - Mounting Holes Location - Length	9-1/4"	235.2mm
A-2 - Overall Length with Bulkhead	9-15/16"	252.6mm
A-3 - Wire Length	9-13/16"	250.0mm
B - Overall Width	4-1/2"	114.7mm
B-1 - Mounting Holes Location - Width	2-1/2"	64.0mm
C - Overall Height	1-7/8"	47.0mm
D - Mounting Hole Diameter	7/32"	5.5mm

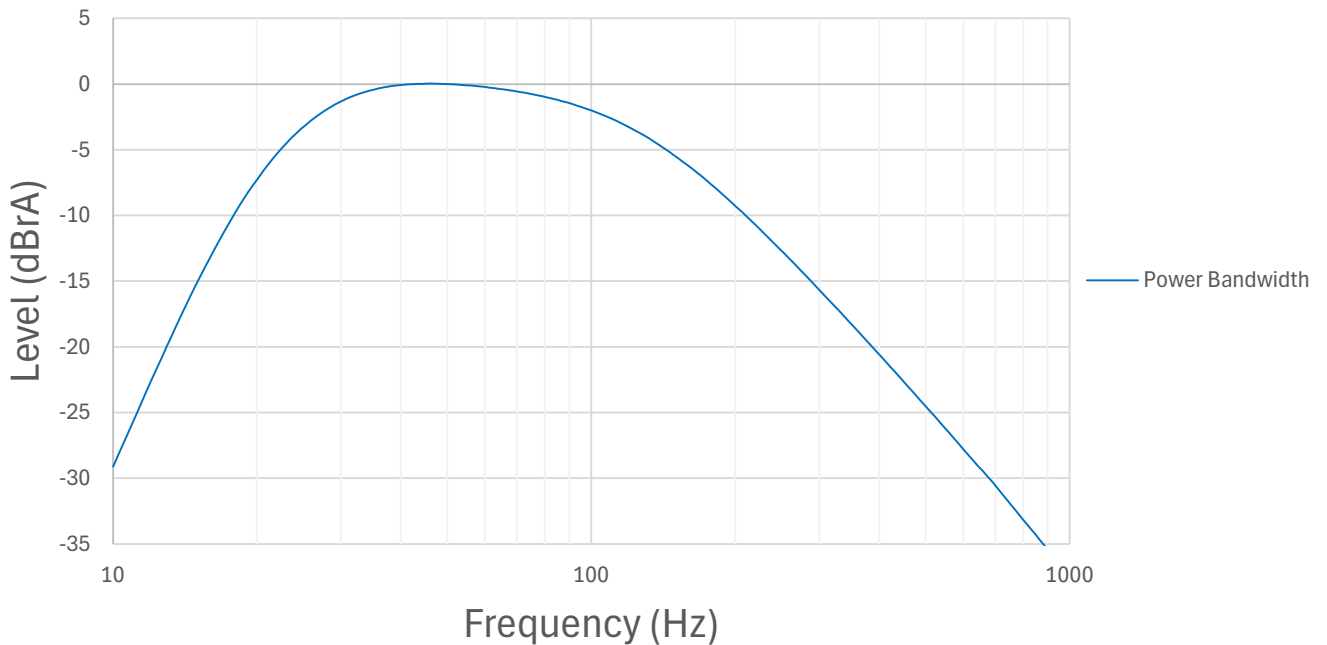
Technical Graph Data

THD+N vs. Power (W) @14.4VDC



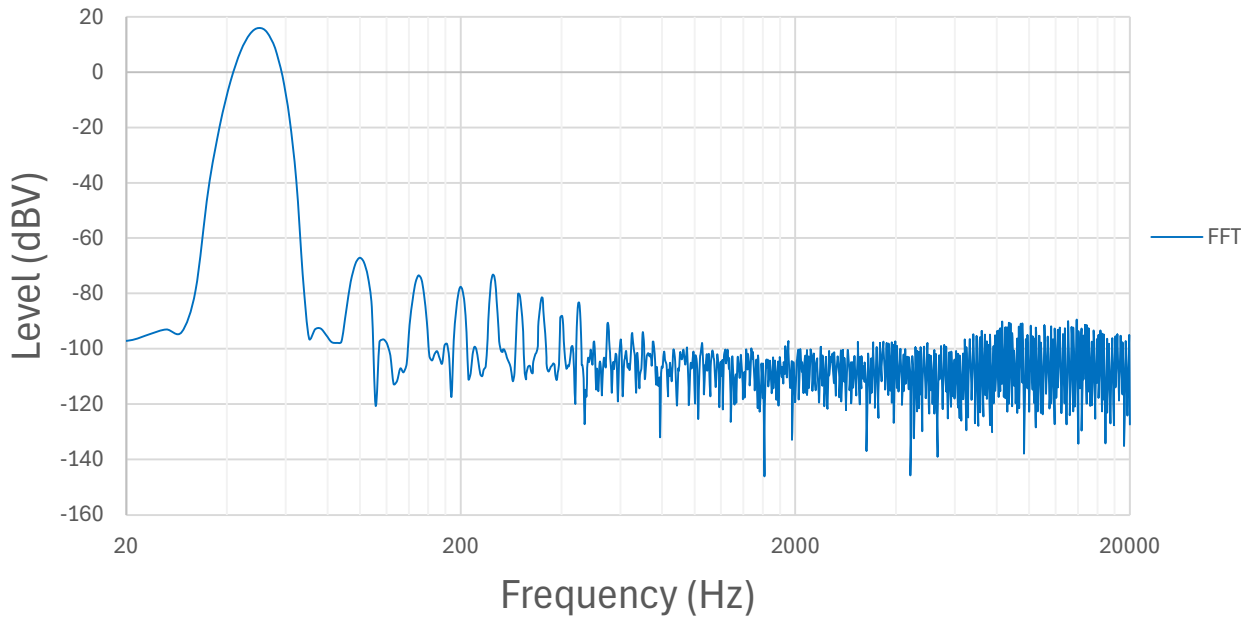
Power Bandwidth (4Ω) @14.4VDC

Power Bandwidth, re: Rated Power (150W @ 4Ω)



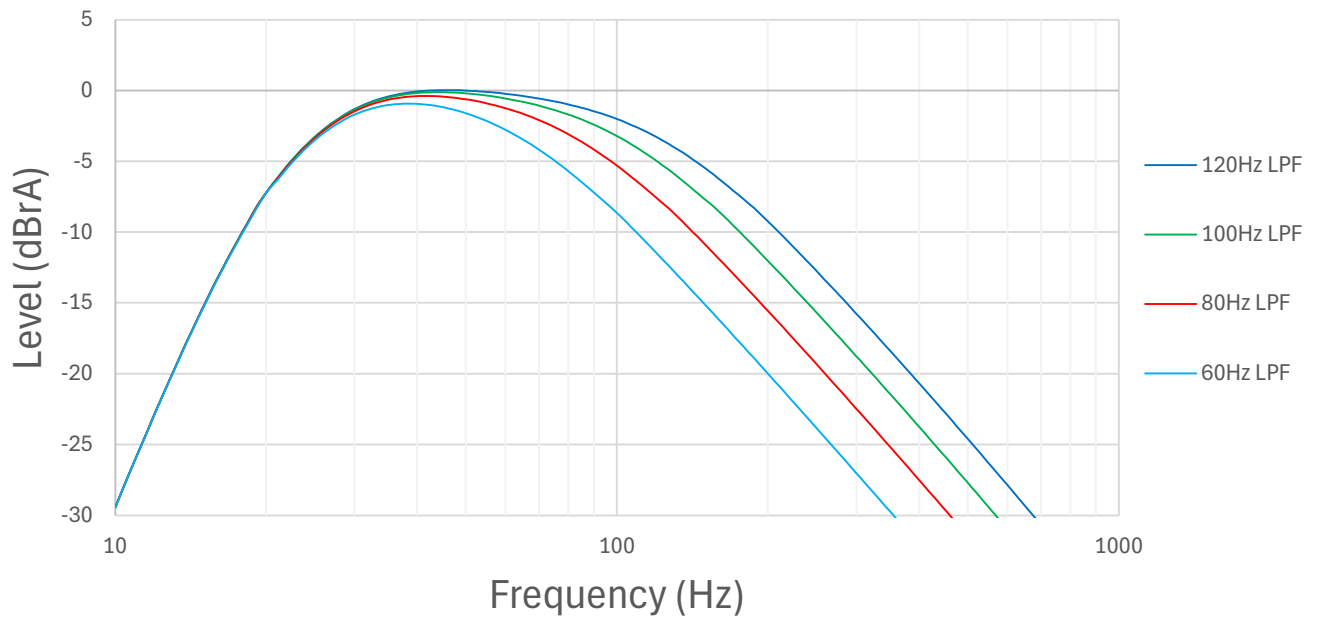
FFT

FFT (50Hz Signal)



Crossover Frequency Response

Crossover Frequency Response



KickEQ™

